


<b>GB</b>	ORIGINAL INSTRUCTIONS	5	<b>UA</b>	ОРИГІНАЛЬНА ІНСТРУКЦІЯ З ЕКСПЛУАТАЦІЇ	54
<b>F</b>	NOTICE ORIGINALE	7	<b>GR</b>	ΠΡΟΤΥΠΟ ΟΔΗΓΙΩΝ ΧΡΗΣΗΣ	57
<b>D</b>	ORIGINALBETRIEBSANLEITUNG	11	<b>RO</b>	INSTRUCȚIUNI DE FOLOSIRE ORIGINALE	60
<b>NL</b>	ORIGINELE GEBRUIKSAANWIJZING	14	<b>BG</b>	ОРИГИНАЛНО РЪКОВОДСТВО ЗА ЕКСПЛОАТАЦИЯ	63
<b>S</b>	BRUKSANVISNING I ORIGINAL	17	<b>SK</b>	PŮVODNÝ NÁVOD NA POUŽITIE	67
<b>DK</b>	ORIGINAL BRUGSANVISNING	20	<b>HR</b>	ORIGINALNE UPUTE ZA RAD	70
<b>N</b>	ORIGINAL BRUKSANVISNING	23	<b>SRB</b>	ORIGINALNO UPUTSTVO ZA RAD	73
<b>FIN</b>	ALKUPERÄISET OHJEET	25	<b>SLO</b>	IZVIRNA NAVODILA	76
<b>E</b>	MANUAL ORIGINAL	28	<b>EST</b>	ALGUPÄRANE KASUTUSJUHEND	78
<b>P</b>	MANUAL ORIGINAL	32	<b>LV</b>	ORIĢINĀLĀ LIETOŠANAS PAMĀCĪBA	81
<b>I</b>	ISTRUZIONI ORIGINALI	35	<b>LT</b>	ORIGINALI INSTRUKCIJA	85
<b>H</b>	EREDETI HASZNÁLATI UTASÍTÁS	38	<b>MK</b>	ИЗБОРНО УПАТСТВО ЗА РАБОТА	88
<b>CZ</b>	PŮVODNÍM NÁVODEM K POUŽÍVÁNÍ	41	<b>AL</b>	UDHËZIMET ORIGJINALE	91
<b>TR</b>	ORİJİNAL İŞLETME TALİMATI	44	<b>AR</b>	دليل الاستعمال	100
<b>PL</b>	INSTRUKCJA ORYGINALNA	47	<b>FA</b>	راهنمای اصلی	98
<b>RU</b>	ПОДЛИННИК РУКОВОДСТВА ПО ЭКСПЛУАТАЦИИ	50			




1

1558

600  
Watt

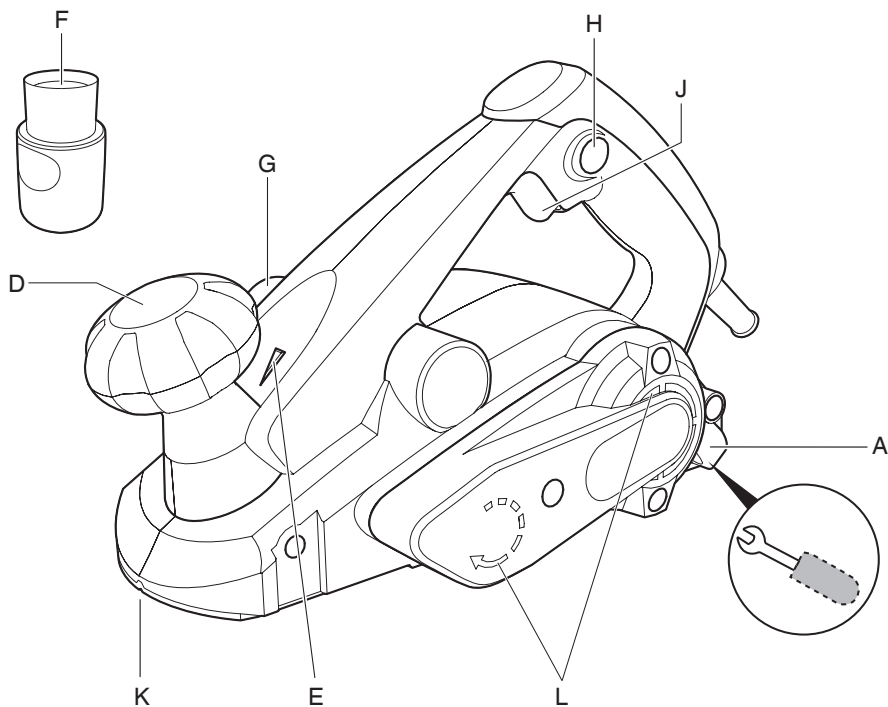
  
2,4 kg  
EPTA 01/2003

  
 $n_0$   
17000  
/min

  
+ 2 +  
← 82 →

220  
-  
240  
V~  
50-60 Hz

2



3

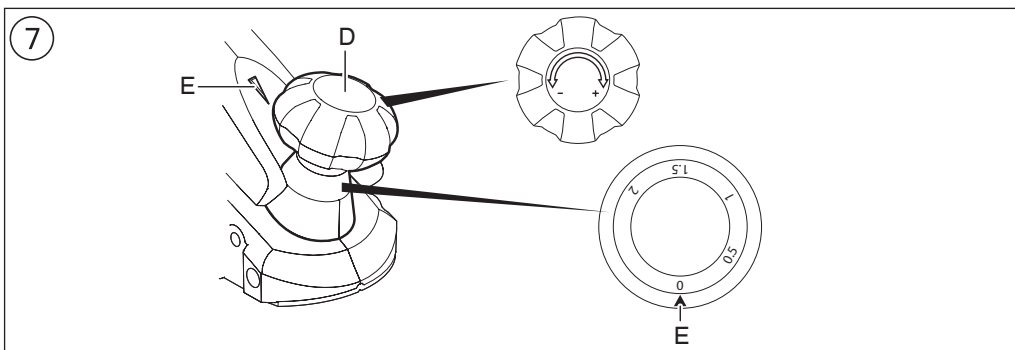
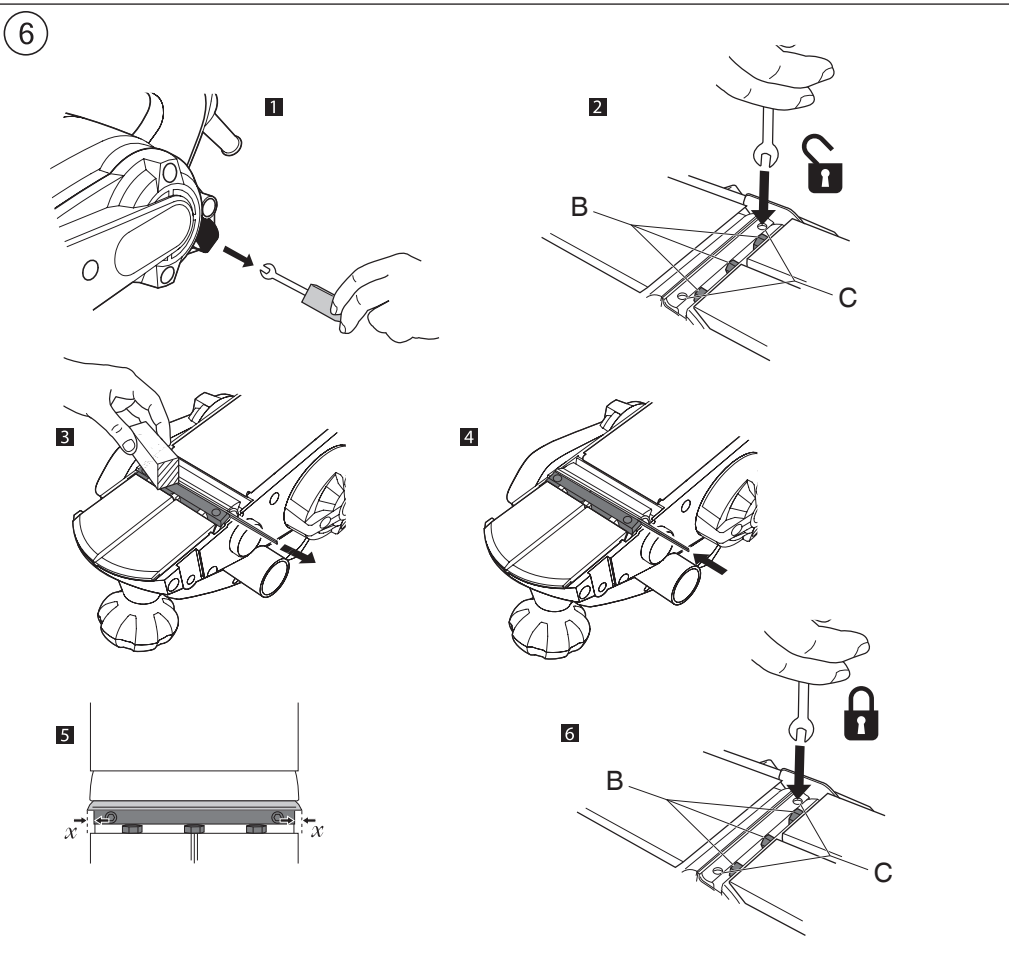


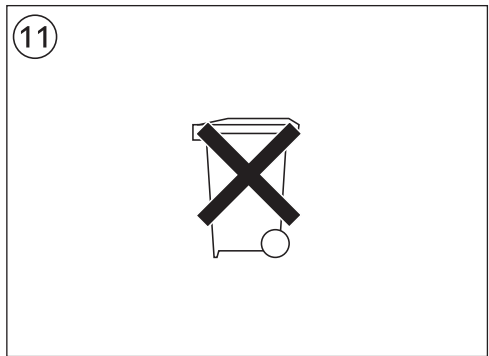
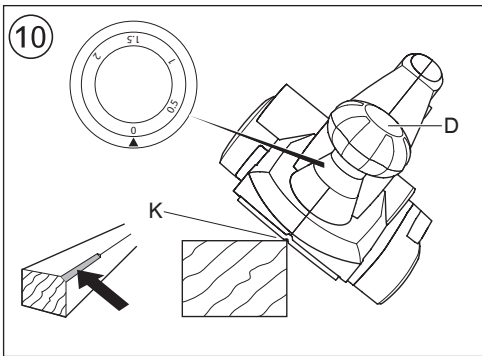
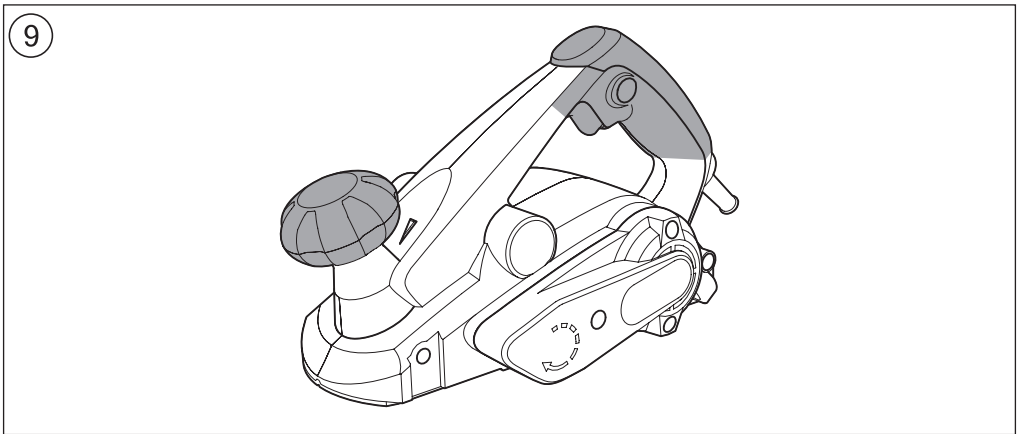
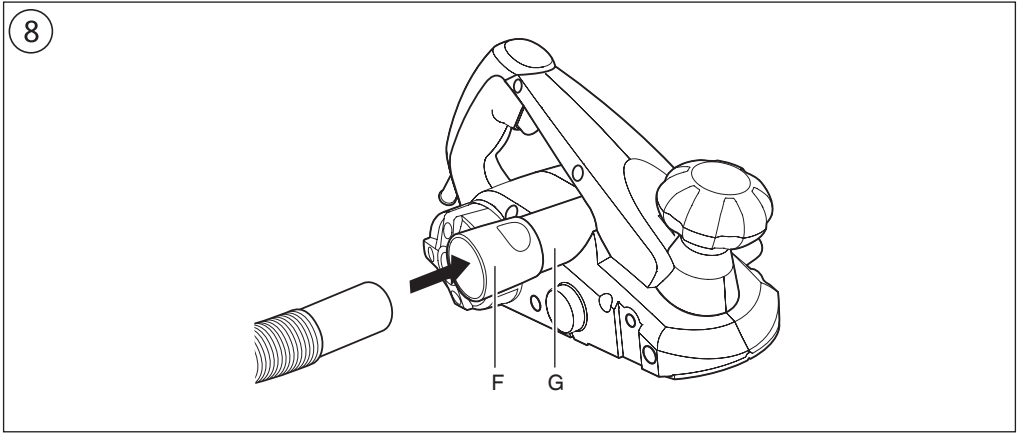
4



5







**ACCESSORIES** → **WWW.SKIL.COM**

## INTRODUCTION

- This tool is intended for planing wooden materials such as beams and boards; it is also suitable for chamfering edges
- This tool is not intended for professional use
- Read and save this instruction manual ③

## TECHNICAL SPECIFICATIONS ①

## TOOL ELEMENTS ②

- A Storage for key
- B Securing bolt
- C Cutter block screws
- D Knob for setting planing depth
- E Planing depth indicator
- F Vacuum cleaner adapter
- G Chip outlet
- H Safety switch
- J On/off switch
- K V-groove
- L Ventilation slots

## SAFETY

### GENERAL SAFETY INSTRUCTIONS

**⚠ WARNING! Read all safety warnings and all instructions.** Failure to follow the warnings and instructions may result in electric shock, fire and/or serious injury. **Save all warnings and instructions for future reference.** The term "power tool" in the warnings refers to your mains-operated (corded) power tool or battery-operated (cordless) power tool.

#### 1) WORK AREA SAFETY

- a) **Keep work area clean and well lit.** Cluttered or dark areas invite accidents.
- b) **Do not operate power tools in explosive atmospheres, such as in the presence of flammable liquids, gases or dust.** Power tools create sparks which may ignite the dust or fumes.
- c) **Keep children and bystanders away while operating a power tool.** Distractions can cause you to lose control.

#### 2) ELECTRICAL SAFETY

- a) **Power tool plugs must match the outlet. Never modify the plug in any way. Do not use any adapter plugs with earthed (grounded) power tools.** Unmodified plugs and matching outlets will reduce risk of electric shock.
- b) **Avoid body contact with earthed or grounded surfaces such as pipes, radiators, ranges and refrigerators.** There is an increased risk of electric shock if your body is earthed or grounded.
- c) **Do not expose power tools to rain or wet conditions.** Water entering a power tool will increase the risk of electric shock.

- d) **Do not abuse the cord. Never use the cord for carrying, pulling or unplugging the power tool. Keep cord away from heat, oil, sharp edges or moving parts.** Damaged or entangled cords increase the risk of electric shock.
  - e) **When operating a power tool outdoors, use an extension cord suitable for outdoor use.** Use of a cord suitable for outdoor use reduces the risk of electric shock.
  - f) **If operating a power tool in a damp location is unavoidable, use an earth leakage circuit breaker.** Use of an earth leakage circuit breaker reduces the risk of electric shock.
- ### 3) PERSONAL SAFETY
- a) **Stay alert, watch what you are doing and use common sense when operating a power tool. Do not use a power tool while you are tired or under the influence of drugs, alcohol or medication.** A moment of inattention while operating power tools may result in serious personal injury.
  - b) **Use personal protective equipment. Always wear eye protection.** Protective equipment such as dust mask, non-skid safety shoes, hard hat, or hearing protection used for appropriate conditions will reduce personal injuries.
  - c) **Prevent unintentional starting. Ensure the switch is in the off-position before connecting to power source and/or battery pack, picking up or carrying the tool.** Carrying power tools with your finger on the switch or energising power tools that have the switch on invites accidents.
  - d) **Remove any adjusting key or wrench before turning the power tool on.** A wrench or a key left attached to a rotating part of the power tool may result in personal injury.
  - e) **Do not overreach. Keep proper footing and balance at all times.** This enables better control of the power tool in unexpected situations.
  - f) **Dress properly. Do not wear loose clothing or jewelry. Keep your hair, clothing and gloves away from moving parts.** Loose clothes, jewelry or long hair can be caught in moving parts.
  - g) **If devices are provided for the connection of dust extraction and collection facilities, ensure these are connected and properly used.** Use of dust collection can reduce dust-related hazards.
- ### 4) POWER TOOL USE AND CARE
- a) **Do not force the power tool. Use the correct power tool for your application.** The correct power tool will do the job better and safer at the rate for which it was designed.
  - b) **Do not use the power tool if the switch does not turn it on and off.** Any power tool that cannot be controlled with the switch is dangerous and must be repaired.
  - c) **Disconnect the plug from the power source and/or the battery pack from the power tool before making any adjustments, changing accessories, or storing power tools.** Such preventive safety measures reduce the risk of starting the power tool accidentally.
  - d) **Store idle power tools out of the reach of children and do not allow persons unfamiliar with the power**

### tool or these instructions to operate the power tool.

Power tools are dangerous in the hands of untrained users.

- e) **Maintain power tools. Check for misalignment or binding of moving parts, breakage of parts and any other condition that may affect the power tool's operation. If damaged, have the power tool repaired before use.** Many accidents are caused by poorly maintained power tools.
  - f) **Keep cutting tools sharp and clean.** Properly maintained cutting tools with sharp cutting edges are less likely to bind and are easier to control.
  - g) **Use the power tool, accessories and tool bits etc., in accordance with these instructions, taking into account the working conditions and the work to be performed.** Use of the power tool for operations different from those intended could result in a hazardous situation.
- 5) **SERVICE**
- a) **Have your power tool serviced by a qualified repair person using only identical replacement parts.** This will ensure that the safety of the power tool is maintained.

## SAFETY INSTRUCTIONS FOR PLANERS

### GENERAL

- This tool should not be used by people under the age of 16 years
- The noise level when working can exceed 85 dB(A); **wear ear protection ④**
- Dust from material such as paint containing lead, some wood species, minerals and metal may be harmful (contact with or inhalation of the dust may cause allergic reactions and/or respiratory diseases to the operator or bystanders); **wear a dust mask ⑤ and work with a dust extraction device when connectable**
- Certain kinds of dust are classified as carcinogenic (such as oak and beech dust) especially in conjunction with additives for wood conditioning; **wear a dust mask ⑤ and work with a dust extraction device when connectable**
- Follow the dust-related national requirements for the materials you want to work with
- SKIL can assure flawless functioning of the tool only when original accessories are used
- Never use the tool when cord is damaged; have it replaced by a qualified person
- **Always disconnect plug from power source before making any adjustment or changing any accessory**

### BEFORE USE

- Always check that the supply voltage is the same as the voltage indicated on the nameplate of the tool (tools with a rating of 230V or 240V can also be connected to a 220V supply)
- Avoid damage that can be caused by screws, nails and other elements in your workpiece; remove them before you start working
- Before using the tool check that the knives do not brush anywhere
- Use completely unrolled and safe extension cords with a capacity of 16 Amps (U.K. 13 Amps)
- **Use clamps or another practical way to secure and support the workpiece to a stable platform** (holding

the work by your hand or against the body leaves it unstable and may lead to loss of control)

### DURING USE

- **Hold power tool by insulated gripping surfaces, because the cutter may contact its own cord** (cutting a "live" wire may make exposed metal parts of the power tool "live" and shock the operator)
- Always keep the cord away from moving parts of the tool; direct the cord to the rear, away from the tool
- Keep your fingers away from the rotating knives
- In case of electrical or mechanical malfunction, immediately switch off the tool and disconnect the plug
- If the cord is damaged or cut through while working, do not touch the cord, but immediately disconnect the plug
- If any chip should get jammed in the chip outlet, you should switch off the motor, ensure that all moving parts have come to a complete standstill, disconnect the plug, and remove the jammed chip

### AFTER USE

- **Wait for the cutter block to stop before setting the tool down** (an exposed knife may engage the surface leading to possible loss of control and serious injury)

### WHEN CONNECTING NEW 3-PIN PLUG (U.K. ONLY):

- Do not connect the blue (= neutral) or brown (= live) wire in the cord of this tool to the earth terminal of the plug
- If for any reason the old plug is cut off the cord of this tool, it must be disposed of safely and not left unattended

## USE

- Changing/reversing knives ⑥

This planer is equipped with non-grindable knives with cutting edges on both sides; so if one side has become blunt, the other side can be used

#### **! switch off the tool and disconnect the plug**

- take wrench from storage A
- turn tool upside down
- loosen 3 bolts B with wrench (do not remove bolts)
- push knife out of cutter block with piece of wood
- put knife back in cutter block in reversed position, or use new knife

#### **! groove in knife should match ledge in cutter block**

#### **! both knife ends should protrude equally**

- firmly tighten 3 bolts B with wrench
- ! change/reverse knives in time; only use sharp knives**

#### **! always change/reverse both knives at the same time**

#### **! do not attempt to adjust the knives with cutter block screws C, which are pre-set at manufacturing**

- Adjusting planing depth ⑦
  - turn knob D in "+"/"-" direction for increasing/decreasing planing depth
  - use indicator E as reference
  - always select a shallow planing depth and repeat the planing and adjusting process until the required depth is reached
- Chip outlet ⑧
  - connect vacuum cleaner with adapter F to chip outlet G as illustrated
  - ! do not attempt to remove any obstructions from the chip outlet while knives are rotating**

- Operating the tool
  - adjust planing depth
  - place tool on workpiece
- ! **ensure that only the front shoe rests on the workpiece and that the knives do not touch it**
- switch on the tool by first pressing knob H ② (= safety switch which cannot be locked) and then pulling trigger J ②
- ! **before the knives reach the workpiece, the tool should run at full speed**
- ! **while working, always hold the tool at the grey-coloured grip area(s) ⑨**
- hold the tool firmly with both hands and guide it forward in a continuous stroke
- use the tool with its base-plate on the workpiece
- do not tilt the tool in order to avoid unwanted planing marks
- ! **before switching off the tool, you should lift it from the workpiece**
- switch off the tool by releasing trigger J

## APPLICATION ADVICE

- For chamfering edges use the V-groove in the front shoe ⑩
  - set knob D to position "0" for chamfering edges similar to groove
  - for larger grooves turn knob D to select the required planing depth
- ! **always test out first on a piece of scrap material**
- For more tips see [www.skil.com](http://www.skil.com)

## MAINTENANCE / SERVICE

- This tool is not intended for professional use
- Always keep tool and cord clean (especially ventilation slots L ②)
- ! **disconnect the plug before cleaning**
- If the tool should fail despite the care taken in manufacturing and testing procedures, repair should be carried out by an after-sales service centre for SKIL power tools
  - send the tool **undismantled** together with proof of purchase to your dealer or the nearest SKIL service station (addresses as well as the service diagram of the tool are listed on [www.skil.com](http://www.skil.com))

## ENVIRONMENT

- **Do not dispose of electric tools, accessories and packaging together with household waste material** (only for EU countries)
  - in observance of European Directive 2002/96/EC on waste of electric and electronic equipment and its implementation in accordance with national law, electric tools that have reached the end of their life must be collected separately and returned to an environmentally compatible recycling facility
  - symbol ⑪ will remind you of this when the need for disposing occurs

## CE DECLARATION OF CONFORMITY

- We declare under our sole responsibility that this product is in conformity with the following standards or standardized documents: EN 60745, EN 61000, EN 55014, in accordance with the provisions of the directives 2004/108/EC, 2006/42/EC, 2011/65/EU
- **Technical file at:** SKIL Europe BV (PT-SEU/ENG1), 4825 BD Breda, NL

Marijn van der Hoofden      Olaf Dijkgraaf  
Operations & Engineering      Approvals Manager




SKIL Europe BV, 4825 BD Breda, NL  
27.06.2013

## NOISE/VIBRATION

- Measured in accordance with EN 60745 the sound pressure level of this tool is 90 dB(A) and the sound power level 101 dB(A) (standard deviation: 3 dB), and the vibration 5.1 m/s<sup>2</sup> (hand-arm method; uncertainty K = 1.5 m/s<sup>2</sup>)
- The vibration emission level has been measured in accordance with a standardised test given in EN 60745; it may be used to compare one tool with another and as a preliminary assessment of exposure to vibration when using the tool for the applications mentioned
  - using the tool for different applications, or with different or poorly maintained accessories, may significantly **increase** the exposure level
  - the times when the tool is switched off or when it is running but not actually doing the job, may significantly **reduce** the exposure level
- ! **protect yourself against the effects of vibration by maintaining the tool and its accessories, keeping your hands warm, and organizing your work patterns**

F

Rabot

1558

## INTRODUCTION

- Cet outil est conçu pour le rabotage des matériaux en bois, tels que des poutres et des planches; il est également approprié pour chanfreiner
- Cet outil n'est conçu pour un usage professionnel
- Lisez et conservez ce manuel d'instruction ③

## SPECIFICATIONS TECHNIQUES ①

## ELEMENTS DE L'OUTIL ②

- A Rangement pour la clé
- B Boulon de fixation
- C Vis de l'arbre porte-couteaux
- D Bouton de réglage de la profondeur de rabotage
- E Indicateur de la profondeur de rabotage
- F Adaptateur de l'aspirateur
- G Evacuation copeaux

- H Interrupteur de sécurité
- J Interrupteur marche/arrêt
- K Encoche en V
- L Fentes de ventilation

## SECURITE

### INSTRUCTIONS GENERALES DE SECURITE

**⚠ ATTENTION! Lisez tous les avertissements de sécurité et toutes les instructions.** Ne pas suivre les avertissements et instructions peut entraîner un choc électrique, un incendie et/ou de graves blessures sur les personnes. **Conservez tous les avertissements et toutes les instructions pour pouvoir s'y reporter ultérieurement.** La notion d'"outil électroportatif" dans les avertissements se rapporte à des outils électriques raccordés au secteur (avec câble de raccordement) et à des outils électriques à batterie (sans câble de raccordement).

#### 1) SECURITE DE LA ZONE DE TRAVAIL

- a) **Maintenez l'endroit de travail propre et bien éclairé.** Un lieu de travail en désordre ou mal éclairé augmente le risque d'accidents.
- b) **N'utilisez pas l'appareil dans un environnement présentant des risques d'explosion et où se trouvent des liquides, des gaz ou poussières inflammables.** Les outils électroportatifs génèrent des étincelles risquant d'enflammer les poussières ou les vapeurs.
- c) **Tenez les enfants et autres personnes éloignés durant l'utilisation de l'outil électroportatif.** En cas d'inattention vous risquez de perdre le contrôle sur l'appareil.

#### 2) SECURITE RELATIVE AU SYSTEME ELECTRIQUE

- a) **La fiche de secteur de l'outil électroportatif doit être appropriée à la prise de courant. Ne modifiez en aucun cas la fiche. N'utilisez pas de fiches d'adaptateur avec des appareils avec mise à la terre.** Les fiches non modifiées et les prises de courant appropriées réduisent le risque de choc électrique.
- b) **Évitez le contact physique avec des surfaces mises à la terre telles que tuyaux, radiateurs, fours et réfrigérateurs.** Il y a un risque élevé de choc électrique au cas où votre corps serait relié à la terre.
- c) **N'exposez pas l'outil électroportatif à la pluie ou à l'humidité.** La pénétration d'eau dans un outil électroportatif augmente le risque d'un choc électrique.
- d) **N'utilisez pas le câble à d'autres fins que celles prévues, n'utilisez pas le câble pour porter l'appareil ou pour l'accrocher ou encore pour le débrancher de la prise de courant. Maintenez le câble éloigné des sources de chaleur, des parties grasses, des bords tranchants ou des parties de l'appareil en rotation.** Un câble endommagé ou torsadé augmente le risque d'un choc électrique.
- e) **Au cas où vous utiliseriez l'outil électroportatif à l'extérieur, utilisez une rallonge autorisée homologuée pour les applications extérieures.** L'utilisation d'une rallonge électrique homologuée pour les applications extérieures réduit le risque d'un choc électrique.
- f) **Si l'usage d'un outil dans un emplacement humide**

**est inévitable, utilisez un disjoncteur de fuite à la terre.** L'utilisation d'un disjoncteur de fuite à la terre réduit le risque de choc électrique.

#### 3) SECURITE DES PERSONNES

- a) **Restez vigilant, surveillez ce que vous faites. Faites preuve de bon sens en utilisant l'outil électroportatif. N'utilisez pas l'appareil lorsque vous êtes fatigué ou après avoir consommé de l'alcool, des drogues ou avoir pris des médicaments.** Un moment d'inattention lors de l'utilisation de l'appareil peut entraîner de graves blessures sur les personnes.
  - b) **Portez des équipements de protection. Portez toujours des lunettes de protection.** Le fait de porter des équipements de protection personnels tels que masque anti-poussières, chaussures de sécurité antidérapantes, casque de protection ou protection acoustique suivant le travail à effectuer, réduit le risque de blessures.
  - c) **Évitez tout démarrage intempestif. S'assurez que l'interrupteur est en position arrêt avant de brancher l'outil au secteur et/ou au bloc de batteries, de le ramasser ou de le porter.** Porter les outils en ayant le doigt sur l'interrupteur ou brancher des outils dont l'interrupteur est en position marche est source d'accidents.
  - d) **Enlevez tout outil de réglage ou toute clé avant de mettre l'appareil en fonctionnement.** Une clé ou un outil se trouvant sur une partie en rotation peut causer des blessures.
  - e) **Ne surestimez pas vos capacités. Veillez à garder toujours une position stable et équilibrée.** Ceci vous permet de mieux contrôler l'appareil dans des situations inattendues.
  - f) **Portez des vêtements appropriés. Ne portez pas de vêtements amples ni de bijoux. Maintenez cheveux, vêtements et gants éloignés des parties de l'appareil en rotation.** Des vêtements amples, des bijoux ou des cheveux longs peuvent être happés par des pièces en mouvement.
  - g) **Si des dispositifs servant à aspirer ou à recueillir les poussières doivent être utilisés, vérifiez que ceux-ci soient effectivement raccordés et qu'ils sont correctement utilisés.** L'utilisation des collecteurs de poussière réduit les dangers dus aux poussières.
- #### 4) UTILISATION ET EMPLOI SOIGNEUX DE L'OUTIL ELECTROPORTATIF
- a) **Ne surchargez pas l'appareil. Utilisez l'outil électroportatif approprié au travail à effectuer.** Avec l'outil électroportatif approprié, vous travaillerez mieux et avec plus de sécurité à la vitesse pour laquelle il est prévu.
  - b) **N'utilisez pas un outil électroportatif dont l'interrupteur est défectueux.** Un outil électroportatif qui ne peut plus être mis en ou hors fonctionnement est dangereux et doit être réparé.
  - c) **Débranchez la fiche de la source d'alimentation en courant et/ou le bloc de batteries de l'outil avant tout réglage, changement d'accessoires ou avant de ranger l'outil.** Cette mesure de précaution empêche une mise en fonctionnement par mégarde.
  - d) **Gardez les outils électroportatifs non utilisés hors de portée des enfants. Ne permettez pas**



**l'utilisation de l'appareil à des personnes qui ne se sont pas familiarisées avec celui-ci ou qui n'ont pas lu ces instructions.** Les outils électroportatifs sont dangereux lorsqu'ils sont utilisés par des personnes non initiées.

- e) **Prenez soin des outils électroportatifs. Vérifiez que les parties en mouvement fonctionnent correctement et qu'elles ne soient pas coincées, et contrôlez si des parties sont cassées ou endommagées de telle sorte que le bon fonctionnement de l'appareil s'en trouve entravé. Faites réparer les parties endommagées avant d'utiliser l'appareil.** De nombreux accidents sont dus à des outils électroportatifs mal entretenus.
  - f) **Maintenez les outils de coupe aiguisés et propres.** Des outils soigneusement entretenus avec des bords tranchants bien aiguisés se coincent moins souvent et peuvent être guidés plus facilement.
  - g) **Utilisez les outils électroportatifs, les accessoires, les outils à monter etc. conformément à ces instructions. Tenez compte également des conditions de travail et du travail à effectuer.** L'utilisation des outils électroportatifs à d'autres fins que celles prévues peut entraîner des situations dangereuses.
- 5) **SERVICE**
- a) **Ne faites réparer votre outil électroportatif que par un personnel qualifié et seulement avec des pièces de rechange d'origine.** Ceci permet d'assurer la sécurité de l'appareil.

## INSTRUCTIONS DE SECURITE POUR RABOTS

### GENERALITES

- Cet outil ne doit pas être utilisé par des personnes de moins de 16 ans
- Le niveau sonore en fonctionnement peut dépasser 85 dB(A); **munissez-vous de casques anti-bruit** ④
- La poussière de matériaux, tels que la peinture contenant du plomb, certaines espèces de bois, certains minéraux et différents métaux, peut être nocive (le contact avec la poussière ou son inhalation peut provoquer des réactions allergiques et/ou des maladies respiratoires chez l'opérateur ou des personnes se trouvant à proximité); **portez un masque antipoussières** ⑤ **et travaillez avec un appareil de dépoussiérage lorsqu'il est possible d'en connecter un**
- Certains types de poussières sont classifiés comme étant cancérigènes (tels que la poussière de chêne ou de hêtre), en particulier en combinaison avec des additifs de traitement du bois; **portez un masque antipoussières** ⑤ **et travaillez avec un appareil de dépoussiérage lorsqu'il est possible d'en connecter un**
- Suivez les directives nationales relatives au dépoussiérage pour les matériaux à travailler
- SKIL ne peut se porter garant du bon fonctionnement de cet outil que s'il a été utilisé avec les accessoires d'origine
- N'utilisez jamais d'outil avec un câble endommagé; faites-le remplacer par un technicien qualifié
- **Débranchez toujours l'outil avant tout réglage ou changement d'accessoire**

### AVANT L'USAGE

- Contrôlez toujours si la tension secteur correspond à la tension indiquée sur la plaquette signalétique de l'outil (les outils conçus pour une tension de 230V ou 240V peuvent également être branchés sur 220V)
- Faites attention aux vis, clous ou autres éléments qui pourraient se trouver dans la pièce à travailler et qui risqueraient d'endommager très fortement votre outil; enlevez-les avant de commencer le travail
- Avant d'utiliser l'outil, vérifiez que les couteaux ne vont pas entailler un quelconque objet
- Utilisez un câble de prolongement complètement déroulé et de bonne qualité d'une capacité de 16 A
- **Utilisez des pinces ou tout autre système pratique pour fixer et soutenir la pièce à travailler sur une surface stable** (si vous la tenez dans la main ou contre le corps, elle peut devenir instable et risquer de vous échapper)

### PENDANT L'USAGE

- **Tenez l'outil électroportatif par ses poignées isolées, car le dispositif de coupe peut entrer en contact avec son propre câble** (couper un fil sous tension peut mettre sous tension des parties métalliques exposées et cela pourrait provoquer l'électrocution de l'utilisateur)
- Tenez toujours le câble éloigné des parties mobiles de l'outil; orientez le câble vers l'arrière le plus loin possible de l'outil
- Tenez vos doigts hors de portée des couteaux rotatifs
- En cas de dysfonctionnement électrique ou mécanique, mettez directement l'outil hors service et débranchez la fiche
- Si le câble est endommagé ou rompu pendant le travail, n'y touchez pas, mais débranchez immédiatement la prise
- Pour retirer un copeau qui bloque l'éjecteur, coupez le moteur, s'assurez que toutes les pièces mobiles sont complètement arrêtées, débranchez l'outil et retirez le copeau

### APRES L'USAGE

- **Attendez l'arrêt complet du porte-couteau avant de reposer l'outil** (un couteau en marche peut attaquer la surface entraînant ainsi une possible perte de contrôle et donc un risque de blessure grave)

## UTILISATION

- Changement/inversion des couteaux ⑥  
Ce rabot est équipé de couteaux non-réaffutables dont les bords sont coupants sur les deux côtés; ainsi si un côté est émoussé, l'autre côté peut être utilisé  
**! arrêtez l'outil et débranchez la prise**
  - prenez la clé du rangement A
  - tournez l'outil à l'envers
  - desserrez les 3 boulons B avec la clé (n'enlevez pas les boulons)
- sortez le couteau du porte-couteau avec un bout de bois
- remplacez le couteau dans le porte-couteau en position inverse ou utilisez un nouveau couteau
- ! la rainure dans le couteau doit s'enclencher dans l'arbre porte-couteaux**
- ! les deux extrémités du couteau devraient faire saillie de la même manière**
- serrez fermement les 3 boulons B avec la clé

- ! **changez/inversez les couteaux en temps utile; utilisez seulement des couteaux tranchants**
- ! **changez/inversez les couteaux les deux couteaux en même temps**
- ! **n'essayez pas d'adapter les couteaux avec les vis C de l'arbre porte-couteaux qui sont pré-réglées en usine**

- Réglage de la profondeur de rabotage ⑦
  - faites tourner le bouton D dans le sens "+"/"-"
  - augmenter/diminuer la profondeur de rabotage
  - utilisez l'indicateur E comme référence
  - choisissez toujours une profondeur de rabotage peu profonde et répétez le processus de rabotage et d'ajustement jusqu'à ce que la profondeur désirée soit atteinte
- Evacuation des copeaux ⑧
  - branchez l'aspirateur à l'aide de l'adaptateur F à l'évacuation de copeaux G comme illustré
  - ! **n'essayez pas d'éliminer toute obstruction de l'évacuation des copeaux lorsque les couteaux sont en mouvement**
- Utilisation de l'outil
  - ajustez la profondeur de rabotage
  - positionnez l'outil sur la pièce à travailler
  - ! **assurez-vous que seule la semelle avant repose sur la pièce à travailler et que les couteaux ne la touchent pas**
  - mettez l'outil en marche en appuyant d'abord sur le bouton H ② (= interrupteur de sécurité qu'on ne peut pas bloquer) et puis en poussant la gâchette J ②
  - ! **avant que les couteaux atteignent la pièce à travailler, l'outil doit être à pleine vitesse**
  - ! **lorsque vous travaillez, tenez toujours l'outil par la(les) zone(s) de couleur grise ⑨**
  - tenez l'outil fermement des deux mains et guidez le vers l'avant en un mouvement continu
  - utilisez l'outil avec la plaque-base sur la pièce à travailler
  - n'inclinez pas l'outil pour éviter des marques de rabotage indésirables
  - ! **avant d'arrêter l'outil, vous devriez le soulever de la pièce à travailler**
  - arrêtez l'outil en relâchant la gâchette J

## CONSEILS D'UTILISATION

- Pour chanfreiner, utilisez l'encoche en V dans la semelle avant ⑩
  - réglez le bouton D en position "0" pour chanfreiner de la même manière que la rainure
  - pour des rainures plus importantes, tournez le bouton D afin de sélectionner la profondeur de rabotage requise
  - ! **toujours faites un essai sur une pièce de rebut**
- Pour des suggestions complémentaires voyez www.skil.com

## ENTRETIEN / SERVICE APRES-VENTE

- Cet outil n'est pas conçu pour un usage professionnel
- Gardez toujours votre outil et le câble propres (spécialement les aérations L ②)
- ! **débranchez la fiche avant le nettoyage**
- Si, malgré tous les soins apportés à la fabrication et

au contrôle de l'outil, celui-ci devait avoir un défaut, la réparation ne doit être confiée qu'à une station de service après-vente agréée pour outillage SKIL

- retournez l'outil **non démonté** avec votre preuve d'achat au revendeur ou au centre de service après-vente SKIL le plus proche (les adresses ainsi que la vue éclatée de l'outil figurent sur www.skil.com)

## ENVIRONNEMENT

- **Ne jetez pas les outils électriques, les accessoires et l'emballage dans les ordures ménagères** (pour les pays européens uniquement)
  - conformément à la directive européenne 2002/96/EG relative aux déchets d'équipements électriques ou électroniques, et à sa transposition dans la législation nationale, les outils électriques usés doivent être collectés séparément et faire l'objet d'un recyclage respectueux de l'environnement
  - le symbole ⑪ vous le rappellera au moment de la mise au rebut de l'outil

## DÉCLARATION DE CONFORMITÉ CE

- Nous déclarons sous notre propre responsabilité que ce produit est en conformité avec les normes ou documents normalisés suivants: EN 60745, EN 61000, EN 55014, conforme aux réglementations 2004/108/CE, 2006/42/CE, 2011/65/UE
- **Dossier technique auprès de:** SKIL Europe BV (PT-SEU/ENG1), 4825 BD Breda, NL

Marijn van der Hoofden      Olaf Dijkgraaf  
Operations & Engineering      Approvals Manager




SKIL Europe BV, 4825 BD Breda, NL  
27.06.2013

## BRUIT/VIBRATION

- Mesuré selon EN 60745 le niveau de la pression sonore de cet outil est 90 dB(A) et le niveau de la puissance sonore 101 dB(A) (déviation standard: 3 dB), et la vibration 5,1 m/s<sup>2</sup> (méthode main-bras; incertitude K = 1,5 m/s<sup>2</sup>)
- Le niveau de vibrations émises a été mesuré conformément à l'essai normalisé de la norme EN 60745; il peut être utilisé pour comparer plusieurs outils et pour réaliser une évaluation préliminaire de l'exposition aux vibrations lors de l'utilisation de l'outil pour les applications mentionnées
  - l'utilisation de l'outil dans d'autres applications, ou avec des accessoires différents ou mal entretenus, peut considérablement **augmenter** le niveau d'exposition
  - la mise hors tension de l'outil et sa non-utilisation pendant qu'il est allumé peuvent considérablement **réduire** le niveau d'exposition
- ! **protégez-vous contre les effets des vibrations par un entretien correct de l'outil et de ses accessoires, en gardant vos mains chaudes et en structurant vos schémas de travail**

## EINLEITUNG

- Dieses Werkzeug ist bestimmt zum Hobeln von Holzwerkstoffe wie Balken und Bretter; es eignet sich auch zum Abschrägen von Kanten
- Dieses Werkzeug eignet sich nicht für den professionellen Einsatz
- Bitte diese Bedienungsanleitung sorgfältig lesen und aufbewahren ③

## TECHNISCHE DATEN ①

## WERKZEUGKOMPONENTEN ②

- A Halterung für Schlüssel
- B Sicherungsbolzen
- C Messerrolleschrauben
- D Hobeltiefe-Einstellknopf
- E Hobeltiefenanzeige
- F Staubsaugeranschluss
- G Spanauslassstutzen
- H Sicherheitsschalter
- J Ein-/Aus-Schalter
- K V-Nut
- L Lüftungsschlitze

## SICHERHEIT

### ALLGEMEINE SICHERHEITSHINWEISE

**⚠ ACHTUNG! Lesen Sie alle Sicherheitshinweise und Anweisungen.** Versäumnisse bei der Einhaltung der Sicherheitshinweise und Anweisungen können elektrischen Schlag, Brand und/oder schwere Verletzungen verursachen. **Bewahren Sie alle Sicherheitshinweise und Anweisungen für die Zukunft auf.** Der in den Sicherheitshinweisen verwendete Begriff "Elektrowerkzeug" bezieht sich auf netzbetriebene Elektrowerkzeuge (mit Netzkabel) und auf akkubetriebene Elektrowerkzeuge (ohne Netzkabel).

### 1) ARBEITSPLATZSICHERHEIT

- a) **Halten Sie Ihren Arbeitsbereich sauber und gut beleuchtet.** Unordnung oder unbeleuchtete Arbeitsbereiche können zu Unfällen führen.
- b) **Arbeiten Sie mit dem Gerät nicht in explosionsgefährdeter Umgebung, in der sich brennbare Flüssigkeiten, Gase oder Stäube befinden.** Elektrowerkzeuge erzeugen Funken, die den Staub oder die Dämpfe entzünden können.
- c) **Halten Sie Kinder und andere Personen während der Benutzung des Elektrowerkzeugs fern.** Bei Ablenkung können Sie die Kontrolle über das Gerät verlieren.

### 2) ELEKTRISCHE SICHERHEIT

- a) **Der Anschlussstecker des Gerätes muss in die Steckdose passen. Der Stecker darf in keiner Weise verändert werden. Verwenden Sie keine Adapterstecker gemeinsam mit schutzgeerdeten**

**Geräten.** Unveränderte Stecker und passende Steckdosen verringern das Risiko eines elektrischen Schlages.

- b) **Vermeiden Sie Körperkontakt mit geerdeten Oberflächen, wie von Rohren, Heizungen, Herden und Kühlschränken.** Es besteht ein erhöhtes Risiko durch elektrischen Schlag, wenn Ihr Körper geerdet ist.
  - c) **Halten Sie das Gerät von Regen oder Nässe fern.** Das Eindringen von Wasser in ein Elektrogerät erhöht das Risiko eines elektrischen Schlages.
  - d) **Zweckfremden Sie das Kabel nicht, um das Gerät zu tragen, aufzuhängen oder um den Stecker aus der Steckdose zu ziehen. Halten Sie das Kabel fern von Hitze, Öl, scharfen Kanten oder sich bewegenden Geräteteilen.** Beschädigte oder verwickelte Kabel erhöhen das Risiko eines elektrischen Schlages.
  - e) **Wenn Sie mit einem Elektrowerkzeug im Freien arbeiten, verwenden Sie nur Verlängerungskabel, die auch für den Außenbereich zugelassen sind.** Die Anwendung eines für den Außenbereich geeigneten Verlängerungskabels verringert das Risiko eines elektrischen Schlages.
  - f) **Wenn der Betrieb des Elektrowerkzeuges in feuchter Umgebung nicht vermeidbar ist, verwenden Sie einen Fehlerstromschutzschalter.** Der Einsatz eines Fehlerstromschutzschalters vermindert das Risiko eines elektrischen Schlages.
- ### 3) SICHERHEIT VON PERSONEN
- a) **Seien Sie aufmerksam, achten Sie darauf, was Sie tun, und gehen Sie mit Vernunft an die Arbeit mit einem Elektrowerkzeug. Benutzen Sie das Gerät nicht, wenn Sie müde sind oder unter dem Einfluss von Drogen, Alkohol oder Medikamenten stehen.** Ein Moment der Unachtsamkeit beim Gebrauch des Gerätes kann zu ernsthaften Verletzungen führen.
  - b) **Tragen Sie persönliche Schutzausrüstung und immer eine Schutzbrille.** Das Tragen persönlicher Schutzausrüstung, wie Staubmaske, rutschfeste Sicherheitsschuhe, Schutzhelm oder Gehörschutz, je nach Art und Einsatz des Elektrowerkzeuges, verringert das Risiko von Verletzungen.
  - c) **Vermeiden Sie eine unbeabsichtigte Inbetriebnahme. Vergewissern Sie sich, dass das Elektrowerkzeug ausgeschaltet ist, bevor Sie es an die Stromversorgung und/oder den Akku anschließen, es aufnehmen oder tragen.** Wenn Sie beim Tragen des Elektrowerkzeuges den Finger am Schalter haben oder das Gerät eingeschaltet an die Stromversorgung anschließen, kann dies zu Unfällen führen.
  - d) **Entfernen Sie Einstellwerkzeuge oder Schraubenschlüssel, bevor Sie das Gerät einschalten.** Ein Werkzeug oder Schlüssel, der sich in einem drehenden Geräteteil befindet, kann zu Verletzungen führen.
  - e) **Überschätzen Sie sich nicht. Sorgen Sie für einen sicheren Stand und halten Sie jederzeit das Gleichgewicht.** Dadurch können Sie das Gerät in unerwarteten Situationen besser kontrollieren.
  - f) **Tragen Sie geeignete Kleidung. Tragen Sie keine weite Kleidung oder Schmuck. Halten Sie**

- Haare, Kleidung und Handschuhe fern von sich bewegenden Teilen.** Lockere Kleidung, Schmuck oder lange Haare können von sich bewegenden Teilen erfasst werden.
- g) **Wenn Staubabsaug- und -auffangeinrichtungen montiert werden können, vergewissern Sie sich, dass diese angeschlossen sind und richtig verwendet werden.** Verwendung einer Staubabsaugung verringert Gefährdungen durch Staub.
- 4) **SORGFÄLTIGER UMGANG UND GEBRAUCH VON ELEKTROWERKZEUGEN**
- a) **Überlasten Sie das Gerät nicht. Verwenden Sie für Ihre Arbeit das dafür bestimmte Elektrowerkzeug.** Mit dem passenden Elektrowerkzeug arbeiten Sie besser und sicherer im angegebenen Leistungsbereich.
- b) **Benutzen Sie kein Elektrowerkzeug, dessen Schalter defekt ist.** Ein Elektrowerkzeug, das sich nicht mehr ein- oder ausschalten lässt, ist gefährlich und muss repariert werden.
- c) **Ziehen Sie den Stecker aus der Steckdose und/oder entfernen Sie den Akku, bevor Sie Geräteeinstellungen vornehmen, Zubehörteile wechseln oder das Gerät weglegen.** Diese Vorsichtsmaßnahme verhindert den unbeabsichtigten Start des Geräts.
- d) **Bewahren Sie unbenutzte Elektrowerkzeuge außerhalb der Reichweite von Kindern auf. Lassen Sie Personen das Gerät nicht benutzen, die mit diesem nicht vertraut sind oder diese Anweisungen nicht gelesen haben.** Elektrowerkzeuge sind gefährlich, wenn Sie von unerfahrenen Personen benutzt werden.
- e) **Pflegen Sie das Gerät mit Sorgfalt. Kontrollieren Sie, ob bewegliche Geräteteile einwandfrei funktionieren und nicht klemmen, ob Teile gebrochen oder so beschädigt sind, dass die Funktion des Gerätes beeinträchtigt ist. Lassen Sie beschädigte Teile vor dem Einsatz des Geräts reparieren.** Viele Unfälle haben ihre Ursache in schlecht gewarteten Elektrowerkzeugen.
- f) **Halten Sie Schneidwerkzeuge scharf und sauber.** Sorgfältig gepflegte Schneidwerkzeuge mit scharfen Schneidkanten verklemmen sich weniger und sind leichter zu führen.
- g) **Verwenden Sie Elektrowerkzeug, Zubehör, Einsatzwerkzeuge usw. entsprechend diesen Anweisungen. Berücksichtigen Sie dabei die Arbeitsbedingungen und die auszuführende Tätigkeit.** Der Gebrauch von Elektrowerkzeugen für andere als die vorgesehenen Anwendungen kann zu gefährlichen Situationen führen.
- 5) **SERVICE**
- a) **Lassen Sie Ihr Gerät nur von qualifiziertem Fachpersonal und nur mit Original-Ersatzteilen reparieren.** Damit wird sichergestellt, dass die Sicherheit des Geräts erhalten bleibt.

## SICHERHEITSHINWEISE FÜR HOBEL

### ALLGEMEINES

- Der Benutzer dieses Werkzeuges sollte älter als 16 Jahre sein
- Der Geräuschpegel beim Arbeiten kann 85 dB(A)

- überschreiten; **Gehörschutz tragen** ④
- Staub von Materialien wie Farbe, die Blei enthält, einigen Holzarten, Mineralien und Metall kann schädlich sein (Kontakt mit oder Einatmen des Staubs kann zu allergischen Reaktionen und/oder Atemwegkrankheiten beim Bediener oder Umstehenden führen); **tragen Sie eine Staubmaske** ⑤ **und arbeiten Sie mit einem Staubabsaugungssystem, wenn ein solches angeschlossen werden kann**
- Bestimmte Arten von Staub sind als karzinogen klassifiziert (beispielsweise Eichen- und Buchenholzstaub), insbesondere in Verbindung mit Zusätzen für die Holzvorbehandlung; **tragen Sie eine Staubmaske** ⑤ **und arbeiten Sie mit einem Staubabsaugungssystem, wenn ein solches angeschlossen werden kann**
- Beachten Sie die für Ihr verwendetes Verbrauchsmaterial gültigen nationalen Staubschutzvorgaben
- SKIL kann nur dann die einwandfreie Funktion des Werkzeuges zusichern, wenn Original-Zubehör verwendet wird
- Werkzeug nicht weiter verwenden, wenn das Kabel beschädigt ist; lassen Sie dieses von einem anerkannten Elektrofachmann ersetzen
- **Ziehen Sie grundsätzlich den Netzstecker, bevor Sie beliebige Änderungen an den Einstellungen oder einen Zubehörwechsel vornehmen**

### VOR DER ANWENDUNG

- Stets nachprüfen, daß die Netzspannung mit der auf dem Typenschild des Werkzeuges angegebenen Spannung übereinstimmt (mit 230V oder 240V beschriftete Werkzeuge können auch an 220V betrieben werden)
- Beschädigungen durch Schrauben, Nägel und ähnliches an Ihrem Werkstück vermeiden; diese vor Arbeitsbeginn entfernen
- Vergewissern Sie sich vor Benutzung des Werkzeuges, dass die Messer sich berührungslos drehen
- Bei Benutzung von Verlängerungskabeln ist darauf zu achten, daß das Kabel vollständig abgerollt ist und eine Kapazität von 16 A hat
- **Verwenden Sie Klemmen oder andere praktische Vorrichtungen, um das Werkstück an einer stabilen Plattform zu sichern und zu befestigen** (wenn das Werkstück in der Hand oder gegen den Körper gehalten wird, ist es nicht stabil und man kann die Kontrolle verlieren)

### WÄHREND DER ANWENDUNG

- **Fassen Sie das Elektrowerkzeug nur an den isolierten Griffflächen an, da die Schneidvorrichtung mit seinem eigenen Netzkabel in Berührung kommen kann** (ein Einschneiden eines spannungsführenden Kabels kann zu einer Spannungsübertragung auf die ungeschützten Metallteile des Elektrowerkzeuges führen und kann so dem Bediener einen Stromschlag versetzen)
- Das Kabel immer von umlaufenden Teilen des Werkzeuges fernhalten; das Kabel nach hinten vom Werkzeug weg führen
- Halten Sie Ihre Finger von den umlaufenden Messern fern
- Bei elektrischer oder mechanischer Fehlfunktion das Werkzeug sofort ausschalten und den Netzstecker ziehen

- Wird bei der Arbeit das Kabel beschädigt oder durchtrennt, Kabel nicht berühren, sondern sofort den Netzstecker ziehen
- Schalten Sie, wenn der Spanauslaßstutzen durch Späne verstopft ist, zuerst Ihr Werkzeug aus, überzeugen Sie sich, daß alle beweglichen Teile vollständig zum Stillstand gekommen sind, ziehen Sie den Netzstecker, und entfernen Sie erst dann die die Verstopfung verursachenden Späne

#### NACH DER ANWENDUNG

- **Vor dem Absetzen des Werkzeugs muss die Messerrolle zum Stillstand gekommen sein** (ein entblößtes Messer kann in die Oberfläche eindringen und zu Kontrollverlust und ernsthaften Verletzungen führen)

## BEDIENUNG

- Wechseln/Wenden der Messer ⑥  
Dieser Hobel ist mit doppelseitigen, nicht nachschleifbaren Messern ausgerüstet; wenn eine Seite daher abgestumpft ist, kann die andere Seite benutzt werden  
**! das Werkzeug ausschalten und den Netzstecker ziehen**  
- den Schlüssel aus Halterung A entnehmen  
- Werkzeug umdrehen  
- 3 Bolzen B mit dem Schlüssel lösen (die Bolzen aber nicht entfernen)  
- das Messer mit einem Stück Holz aus der Messerrolle herauschieben  
- das Messer in umgekehrter Position wieder in die Messerrolle einlegen oder ein neues Messer benutzen  
**! die Nut im Messer sollte zur Kante in der Messerrolle passen**  
**! beide Messerenden sollten gleichmäßig vorstehen**  
- 3 Bolzen B mit dem Schlüssel fest anziehen  
**! Messer rechtzeitig wechseln/wenden; ausschließlich scharfe Messer benutzen**  
**! beide Messer stets gleichzeitig wechseln/wenden**  
**! versuchen Sie nicht, die Messer mit Messerrolleschrauben C, die im Werk voreingestellt werden, einzustellen**
- Einstellen der Hobeltiefe ⑦  
- drehen Sie den Knopf D in Richtung "+"/"-", um die Hobeltiefe zu erhöhen/zu verringern  
- Anzeige E als Bezug benutzen  
- stets eine geringe Hobeltiefe wählen und den Hobel- und Einstellvorgang wiederholen, bis die gewünschte Tiefe erreicht ist
- Spanauslassstutzen ⑧  
- schließen Sie den Staubsauger wie abgebildet mit dem Adapter F an den Spanauslassstutzen G an  
**! versuchen Sie nicht, bei sich drehenden Messern Verstopfungen am Spanauslassstopfen zu beseitigen**
- Bedienung des Werkzeuges  
- die Hobeltiefe einstellen  
- das Werkzeug am Werkstück anlegen  
**! achten Sie darauf, dass nur die Vordersohle auf dem Werkstück ruht und dass die Messer es nicht berühren**  
- das Werkzeug einschalten, indem Sie zuerst Knopf H

② (= Sicherheitsschalter, der nicht verriegelt werden kann) drücken und dann Schalter J ② betätigen

**! bevor die Messer das Werkstück erreichen, sollte das Werkzeug mit voller Drehzahl laufen**

**! Werkzeug beim Arbeiten immer am grauen Griffbereich fassen ⑨**

- das Werkzeug mit beiden Händen festhalten und es mit einem kontinuierlichen Hub vorwärts führen
- das Werkzeug benutzen mit seiner Grundplatte auf dem Werkstück
- das Werkzeug nicht verkanten, um unerwünschte Hobelriefen zu vermeiden

**! vor dem Ausschalten des Werkzeuges sollte dieses vom Werkstück abgenommen werden**

- das Werkzeug durch Lösen von Schalter J abschalten

## ANWENDUNGSHINWEISE

- Verwenden Sie für das Abschrägen von Kanten die in die Vordersohle eingelassene V-Nut ⑩  
- stellen Sie den Knopf D auf die Stellung "0" ein, um Kanten ähnlich wie mit der Nut abzuschrägen  
- stellen Sie für größere Nuten den Knopf D ein, um die gewünschte Hobeltiefe einzustellen  
**! immer zuerst an einem Probestück ausprobieren**
- Für mehr Tips siehe [www.skil.com](http://www.skil.com)

## WARTUNG / SERVICE

- Dieses Werkzeug eignet sich nicht für den professionellen Einsatz
- Halten Sie Werkzeug und Kabel immer sauber (insbesondere die Lüftungsschlitze L ⑫)  
**! Netzstecker vor dem Säubern ziehen**
- Sollte das Elektrowerkzeug trotz sorgfältiger Herstellungs- und Prüfverfahren einmal ausfallen, ist die Reparatur von einer autorisierten Kundendienststelle für SKIL-Elektrowerkzeuge ausführen zu lassen  
- das Werkzeug **unzerlegt**, zusammen mit dem Kaufbeleg, an den Lieferer oder die nächste SKIL-Vertragswerkstätte senden (die Anschriften so wie die Ersatzteilzeichnung des Werkzeuges finden Sie unter [www.skil.com](http://www.skil.com))

## UMWELT

- **Elektrowerkzeuge, Zubehör und Verpackungen nicht in den Hausmüll werfen** (nur für EU-Länder)  
- gemäß Europäischer Richtlinie 2002/96/EG über Elektro- und Elektronik- Altgeräte und Umsetzung in nationales Recht müssen nicht mehr gebrauchsfähige Elektrowerkzeuge getrennt gesammelt und einer umweltgerechten Wiederverwertung zugeführt werden  
- hieran soll Sie Symbol ⑪ erinnern

## CE-KONFORMITÄTSEKVLÄRUNG

- Wir erklären in alleiniger Verantwortung, daß dieses Produkt mit den folgenden Normen oder normativen Dokumenten übereinstimmt: EN 60745, EN 61000, EN 55014, gemäß den Bestimmungen der Richtlinien 2004/108/EG, 2006/42/EG, 2011/65/EU
- **Technische Unterlagen bei:** SKIL Europe BV (PT-SEU/ENG1), 4825 BD Breda, NL

Marijn van der Hoofden      Olaf Dijkgraaf  
Operations & Engineering      Approvals Manager

SKIL Europe BV, 4825 BD Breda, NL

27.06.2013

## GERÄUSCH/VIBRATION

- Gemessen gemäß EN 60745 beträgt der Schalldruckpegel dieses Gerätes 90 dB(A) und der Schalleistungspegel 101 dB(A) (Standardabweichung: 3 dB), und die Vibration 5,1 m/s<sup>2</sup> (Hand-Arm Methode; Unsicherheit K = 1,5 m/s<sup>2</sup>)
- Die Vibrationsemissionsstufe wurde mit einem standardisierten Test gemäß EN 60745 gemessen; Sie kann verwendet werden, um ein Werkzeug mit einem anderen zu vergleichen und als vorläufige Beurteilung der Vibrationsexposition bei Verwendung des Werkzeugs für die angegebenen Anwendungszwecke
  - die Verwendung des Werkzeugs für andere Anwendungen oder mit anderem oder schlecht gewartetem Zubehör kann die Expositionsstufe erheblich **erhöhen**
  - Zeiten, zu denen das Werkzeug ausgeschaltet ist, oder wenn es läuft aber eigentlich nicht eingesetzt wird, können die Expositionsstufe erheblich **verringern**

**! schützen Sie sich vor den Auswirkungen der Vibration durch Wartung des Werkzeugs und des Zubehörs, halten Sie Ihre Hände warm und organisieren Sie Ihren Arbeitsablauf**

NL

Schaaf **1558**

## INTRODUCTIE

- Deze machine is bestemd voor het schaven van houtmaterialen zoals balken en planken, en is ook geschikt voor het afschuren van randen
- Deze machine is niet bedoeld voor professioneel gebruik
- Lees en bewaar deze gebruiksaanwijzing ③

## TECHNISCHE SPECIFICATIES ①

### MACHINE-ELEMENTEN ②

- A Opbergplaats voor sleutel
- B Borgbout
- C Messenrol-schroeven

- D Knop voor instellen van schaafdiepte
- E Schaafdiepte-indicator
- F Stofzuigeraansluitstuk
- G Spaanderuitgang
- H Veiligheidsschakelaar
- J Aan/uit schakelaar
- K V-groef
- L Ventilatie-openingen

## VEILIGHEID

### ALGEMENE VEILIGHEIDSVoORSCHRIFTEN

**⚠ LET OP! Lees alle veiligheids waarschuwingen en alle voorschriften.** Als de waarschuwingen en voorschriften niet worden opgevolgd, kan dit een elektrische schok, brand of ernstig letsel tot gevolg hebben. **Bewaar alle waarschuwingen en voorschriften voor toekomstig gebruik.** Het in de waarschuwingen gebruikte begrip "elektrisch gereedschap" heeft betrekking op elektrische gereedschappen voor gebruik op het stroomnet (met netsnoer) en op elektrische gereedschappen voor gebruik met een accu (zonder netsnoer).

### 1) VEILIGHEID VAN DE WERKOMGEVING

- a) **Houd uw werkomgeving schoon en opgeruimd.** Een rommelige of onverlichte werkomgeving kan tot ongevallen leiden.
- b) **Werk met het gereedschap niet in een omgeving met explosiegevaar waarin zich brandbare vloeistoffen, gasen of stof bevinden.** Elektrische gereedschappen veroorzaken vonken die het stof of de dampen tot ontsteking kunnen brengen.
- c) **Houd kinderen en andere personen tijdens het gebruik van het elektrische gereedschap uit de buurt.** Wanneer u wordt afgeleid, kunt u de controle over het gereedschap verliezen.

### 2) ELEKTRISCHE VEILIGHEID

- a) **De aansluitstekker van het gereedschap moet in het stopcontact passen. De stekker mag in geen geval worden veranderd. Gebruik geen adapterstekkers in combinatie met geaarde gereedschappen.** Onveranderde stekkers en passende stopcontacten beperken het risico van een elektrische schok.
- b) **Voorkom aanraking van het lichaam met geaarde oppervlakken, bijvoorbeeld van buizen, verwarmingen, fornuizen en koelkasten.** Er bestaat een verhoogd risico door een elektrische schok wanneer uw lichaam geaard is.
- c) **Houd het gereedschap uit de buurt van regen en vocht.** Het binnendringen van water in het elektrische gereedschap vergroot het risico van een elektrische schok.
- d) **Gebruik de kabel niet voor een verkeerd doel, om het gereedschap te dragen of op te hangen of om de stekker uit het stopcontact te trekken. Houd de kabel uit de buurt van hitte, olie, scherpe randen en bewegende gereedschapsdelen.** Beschadigde of in de war geraakte kabels vergroten het risico van een elektrische schok.
- e) **Wanneer u buitenshuis met elektrisch gereedschap werkt, dient u alleen verlengkabels te gebruiken**

- die voor gebruik buitenshuis zijn goedgekeurd. Het gebruik van een voor gebruik buitenshuis geschikte verlengkabel beperkt het risico van een elektrische schok.
- f) **Als het gebruik van het elektrische gereedschap in een vochtige omgeving onvermijdelijk is, dient u een aardlekschakelaar te gebruiken.** Het gebruik van een aardlekschakelaar vermindert het risico van een elektrische schok.
- 3) **VEILIGHEID VAN PERSONEN**
- a) **Wees alert, let goed op wat u doet en ga met verstand te werk bij het gebruik van het elektrische gereedschap. Gebruik het gereedschap niet wanneer u moe bent of onder invloed staat van drugs, alcohol of medicijnen.** Een moment van onoplettendheid bij het gebruik van het gereedschap kan tot ernstige verwondingen leiden.
- b) **Draag persoonlijke beschermende uitrusting en altijd een veiligheidsbril.** Het dragen van persoonlijke beschermende uitrusting zoals een stofmasker, slipvaste werkschoenen, een veiligheidshelm of gehoorbescherming, afhankelijk van de aard en het gebruik van het elektrische gereedschap, vermindert het risico van verwondingen.
- c) **Voorkom per ongeluk inschakelen. Controleer dat het elektrische gereedschap uitgeschakeld is voordat u de stekker in het stopcontact steekt of de accu aansluit en voordat u het gereedschap oppakt of draagt.** Wanneer u bij het dragen van het elektrische gereedschap uw vinger aan de schakelaar hebt of wanneer u het gereedschap ingeschakeld op de stroomvoorziening aansluit, kan dit tot ongevallen leiden.
- d) **Verwijder instelgereedschappen of schroefslutels voordat u het gereedschap inschakelt.** Een instelgereedschap of sleutel in een draaiend deel van het gereedschap kan tot verwondingen leiden.
- e) **Probeer niet ver te reiken. Zorg ervoor dat u stevig staat en steeds in evenwicht blijft.** Daardoor kunt u het gereedschap in onverwachte situaties beter onder controle houden.
- f) **Draag geschikte kleding. Draag geen loshangende kleding of sieraden. Houd haren, kleding en handschoenen uit de buurt van bewegende delen.** Loshangende kleding, sieraden en lange haren kunnen door bewegende delen worden meegenomen.
- g) **Wanneer stofafzuigings- of stofopvangvoorzieningen kunnen worden gemonteerd, dient u zich ervan te verzekeren dat deze zijn aangesloten en juist worden gebruikt.** Het gebruik van een stofafzuiging beperkt het gevaar door stof.
- 4) **GEBRUIK EN ONDERHOUD VAN ELEKTRISCHE GEREEDSCHAPPEN**
- a) **Overbelast het gereedschap niet. Gebruik voor uw werkzaamheden het daarvoor bestemde elektrische gereedschap.** Met het passende elektrische gereedschap werkt u beter en veiliger binnen het aangegeven capaciteitsbereik.
- b) **Gebruik geen elektrisch gereedschap waarvan de schakelaar defect is.** Elektrisch gereedschap dat niet meer kan worden in- of uitgeschakeld, is gevaarlijk en moet worden gerepareerd.
- c) **Trek de stekker uit het stopcontact of neem de**

- accu uit het elektrische gereedschap voordat u het gereedschap instelt, toebehoren wisselt of het gereedschap weglegt.** Deze voorzorgsmaatregel voorkomt onbedoeld starten van het gereedschap.
- d) **Bewaar niet-gebruikte elektrische gereedschappen buiten bereik van kinderen. Laat het gereedschap niet gebruiken door personen die er niet mee vertrouwd zijn en deze aanwijzingen niet hebben gelezen.** Elektrische gereedschappen zijn gevaarlijk wanneer deze door onervaren personen worden gebruikt.
- e) **Verzorg het gereedschap zorgvuldig. Controleer of bewegende delen van het gereedschap correct functioneren en niet vastklemmen en of onderdelen zodanig gebroken of beschadigd zijn dat de werking van het gereedschap nadelig wordt beïnvloed. Laat beschadigde delen repareren voordat u het gereedschap gebruikt.** Veel ongevallen hebben hun oorzaak in slecht onderhouden elektrische gereedschappen.
- f) **Houd snijdende inzetgereedschappen scherp en schoon.** Zorgvuldig onderhouden snijdende inzetgereedschappen met scherpe snijkanten klemmen minder snel vast en zijn gemakkelijker te geleiden.
- g) **Gebruik elektrische gereedschappen, toebehoren, inzetgereedschappen en dergelijke volgens deze aanwijzingen. Let daarbij op de arbeidsomstandigheden en de uit te voeren werkzaamheden.** Het gebruik van elektrische gereedschappen voor andere dan de voorziene toepassingen kan tot gevaarlijke situaties leiden.
- 5) **SERVICE**
- a) **Laat het gereedschap alleen repareren door gekwalificeerd en vakkundig personeel en alleen met originele vervangingsonderdelen.** Daarmee wordt gewaarborgd dat de veiligheid van het gereedschap in stand blijft.

## VEILIGHEIDSVOORSCHRIFTEN VOOR SCHAVEN

### ALGEMEEN

- Deze machine mag niet worden gebruikt door personen onder de 16 jaar
- Tijdens het werken kan het geluidsniveau 85 dB(A) overschrijden; **draag oorbeschermers** ④
- Stof van materiaal zoals loodhoudende verf, sommige houtsoorten, mineralen en metaal kunnen schadelijk zijn (contact met of inademing van de stof kan allergische reacties en/of ademhalingsziekten bij gebruiker of omstanders veroorzaken); **draag een stofmasker** ⑤ **en werk met een stofopvangvoorziening als die kan worden aangesloten**
- Bepaalde soorten stof zijn geclassificeerd als kankerverwekkend (zoals stof van eiken en beuken), met name in combinatie met toevoegingsmiddelen voor houtverzorging; **draag een stofmasker** ⑤ **en werk met een stofopvangvoorziening als die kan worden aangesloten**
- Neem voor de door u te bewerken materialen de nationale voorschriften aangaande stofopvang in acht
- SKIL kan alleen een correcte werking van de machine garanderen, indien originele accessoires worden gebruikt

- Gebruik de machine niet, wanneer het snoer beschadigd is; laat dit door een erkende vakman vervangen
- **Trek altijd de stekker uit het stopcontact voordat u een instelling verandert of een accessoire verwisselt**

#### VÓÓR GEBRUIK

- Controleer altijd of het voltage, dat vermeld staat op het typeplaatje van de machine, overeenkomt met de netspanning (met 230V of 240V aangeduide machines kunnen ook op 220V aangesloten worden)
- Voorkom schade, die kan ontstaan door schroeven, spijkers en andere voorwerpen in uw werkstuk; verwijder deze, voordat u aan een karwei begint
- Controleer vóór gebruik van de machine of de messen nergens aanlopen
- Gebruik volledig uitgerolde en veilige verlengsnoeren met een capaciteit van 16 Ampère
- **Gebruik klemmen of pas een andere handige manier toe om het werkstuk vast te zetten en te ondersteunen op een stabiel platform** (bij het in de hand of tegen het lichaam houden van het werkstuk, kan de machine niet goed onder controle worden gehouden)

#### TIJDENS GEBRUIK

- **Houd het elektrische gereedschap vast aan de geïsoleerde greepvlakken, omdat de snijder in contact kan komen met het snoer** (het doorsnijden van een onder spanning staand snoer kan blootgestelde metalen delen van het elektrische gereedschap onder spanning zetten, waardoor de gebruiker een schok kan krijgen)
- Houd het snoer altijd verwijderd van de bewegende delen van uw machine; richt het snoer naar achteren, van de machine weg
- Houd uw vingers uit de buurt van de draaiende messen
- In geval van elektrische of mechanische storing, de machine onmiddellijk uitschakelen en de stekker uit het stopcontact trekken
- Raak het snoer niet aan, als dit tijdens de werkzaamheden wordt beschadigd of doorgesneden, maar trek onmiddellijk de stekker uit het stopcontact
- Bij het beklemd raken van een spaan in de spaanafvoer, dient u de machine uit te schakelen en te wachten tot alle bewegende delen tot stilstand zijn gekomen; trek vervolgens de stekker uit het stopcontact en verwijder de spaan

#### NA GEBRUIK

- **Wacht tot de messenrol stilstaat, voordat u de machine neer zet** (een draaiend mes kan in het oppervlak grijpen, wat mogelijk tot controle-verlies en ernstige verwondingen kan leiden)

## GEBRUIK

- Verwisselen/omdraaien van messen ⑥  
Deze schaaaf is uitgerust met niet-slijpbare messen met aan beide zijden snijkanten; indien één zijde bot is geworden, kan de andere zijde dus gebruikt worden  
**! schakel de machine uit en trek de stekker uit het stopcontact**  
- neem zeskant sleutel uit opbergplaats A  
- draai machine ondersteboven  
- draai 3 bouten B los met sleutel (bouten niet verwijderen)  
- duw mes uit messenrol met stuk hout

- zet mes omgekeerd terug in messenrol, of gebruik nieuw mes
- ! groef in mes moet passen over richel in messenrol**
- ! beide mes-uiteinden moeten even ver uitsteken**
- draai 3 bouten C stevig vast met sleutel
- ! verwissel/draai de messen tijdig (om); gebruik alleen scherpe messen**
- ! verwissel/draai altijd beide messen tegelijkertijd (om)**
- ! probeer niet om de messen te verstellen met messenrolschroeven C; deze zijn in de fabriek voor-ingesteld**
- Instellen van schaafdiepte ⑦  
- draai knop D in de richting "+" / "-" voor een grotere / kleinere schaafdiepte  
- gebruik indikator E als referentiepunt  
- kies altijd een kleine schaafdiepte en herhaal het schaaaf- en instelproces, totdat de gewenste diepte is bereikt
- Spaanderuitgang ⑧  
- sluit stofzuiger met adapter F aan op spaanderuitgang G zoals afgebeeld  
**! probeer nooit obstakels uit de spaanderuitgang te verwijderen terwijl de messen draaien**
- Werken met de machine  
- stel schaafdiepte in  
- plaats machine op werkstuk  
**! zorg ervoor, dat alleen de voorschouwen op het werkstuk rust en dat de messen het werkstuk niet raken**  
- schakel de machine aan door eerst knop H ② (= veiligheidsschakelaar die niet vastgezet kan worden) en daarna trekker J ② in te drukken  
**! voordat de messen in aanraking komen met het werkstuk, moet de machine op volle toeren draaien**  
**! houd de machine tijdens het werk altijd vast bij het(de) grijs-gekleurde greepvlak(ken) ⑨**  
- houd de machine stevig met beide handen vast en geleid deze naar voren in een ononderbroken beweging  
- gebruik de machine met de voetplaat op het werkstuk  
- zet de machine niet schuin op het werkstuk ter voorkoming van ongewenste schaafsporen  
**! voordat u de machine uitschakelt, dient u deze van het werkstuk op te lichten**  
- schakel de machine uit door trekker J los te laten

## TOEPASSINGSADVIES

- Gebruik voor het afschuiven van randen de V-groef in de voorvoet ⑩  
- stel knop D in op stand "0" voor het afschuiven van randen zoals de groef  
- draai voor grotere groeven de knop D om de gewenste schaafdiepte te selecteren  
**! altijd eerst uitproberen op een stuk afvalmateriaal**
- Voor meer tips zie [www.skil.com](http://www.skil.com)

## ONDERHOUD / SERVICE

- Deze machine is niet bedoeld voor professioneel gebruik



- Houd machine en snoer altijd schoon (met name de ventilatie-openingen L ②)
- **! trek de stekker uit het stopcontact vóór het reinigen**
- Mocht het elektrische gereedschap ondanks zorgvuldige fabricage- en testmethoden toch defect raken, dient de reparatie te worden uitgevoerd door een erkende klantenservice voor SKIL elektrische gereedschappen
  - stuur de machine **ongedemonteerd**, samen met het aankoopbewijs, naar het verkoopadres of het dichtstbijzijnde SKIL service-station (de adressen evenals de onderdeeltekening van de machine vindt u op [www.skil.com](http://www.skil.com))

## MILIEU

- **Geef electrisch gereedschap, accessoires en verpakkingen niet met het huisvuil mee** (alleen voor EU-landen)
  - volgens de Europese richtlijn 2002/96/EG inzake oude electrische en electronische apparaten en de toepassing daarvan binnen de nationale wetgeving, dient afgedankt electrisch gereedschap gescheiden te worden ingezameld en te worden afgevoerd naar een recycle-bedrijf, dat voldoet aan de geldende milieu-eisen
  - symbool ① zal u in het afdankstadium hieraan herinneren

## CE-CONFORMITEITSVERKLARING

- Wij verklaren, dat dit product voldoet aan de volgende normen of normatieve documenten: EN 60745, EN 61000, EN 55014, overeenkomstig de bepalingen van de richtlijnen 2004/108/EG, 2006/42/EG, 2011/65/EU
- **Technisch dossier bij:** SKIL Europe BV (PT-SEU/ENG1), 4825 BD Breda, NL

Marijn van der Hoofden  
Operations & Engineering

Olaf Dijkgraaf  
Approvals Manager




SKIL Europe BV, 4825 BD Breda, NL  
27.06.2013

## GELUID/VIBRATIE

- Gemeten volgens EN 60745 bedraagt het geluidsdruk-niveau van deze machine 90 dB(A) en het geluidsvermogen-niveau 101 dB(A) (standaard deviatie: 3 dB), en de vibratie 5,1 m/s<sup>2</sup> (hand-arm methode; onzekerheid K = 1,5 m/s<sup>2</sup>)
- Het trillingsmissieniveau is gemeten in overeenstemming met een gestandaardiseerde test volgens EN 60745; deze mag worden gebruikt om twee machines met elkaar te vergelijken en als voorlopige beoordeling van de blootstelling aan trilling bij gebruik van de machine voor de vermelde toepassingen
  - gebruik van de machine voor andere toepassingen, of met andere of slecht onderhouden accessoires, kan het blootstellingsniveau aanzienlijk **verhogen**
  - wanneer de machine is uitgeschakeld of wanneer deze loopt maar geen werk verricht, kan dit het

blootstellingsniveau aanzienlijk **reduceren**  
**! bescherm uzelf tegen de gevolgen van trilling door de machine en de accessoires te onderhouden, uw handen warm te houden en uw werkwijze te organiseren**

S

Hyvel

1558

## INTRODUKTION

- Denna maskin är avsedd för hyvling av arbetsstycken i trä som balkar och brädor; den är även lämplig för fäsning av kanter
- Det här verktyget är inte avsedd för yrkesmässig användning
- Läs och spara denna instruktionsbok ③

## TEKNISKA DATA ①

## VERKTYGSELEMENT ②

- A Förvaring av nyckel
- B Fästbult
- C Skärblocks kruvar
- D Knapp för att ställa in hyveldjupet
- E Hyveldjupsindikator
- F Dammsugaradapter
- G Flisöppning
- H Säkerhetsbrytare
- J Till/från strömbrytare
- K V-spår
- L Ventilationsöppningar

## SÄKERHET

### ALLMÄNNA SÄKERHETSANVISNINGAR

**⚠ OBS! Läs noga igenom alla anvisningar.** Fel som uppstår till följd av att anvisningarna nedan inte följts kan orsaka elstöt, brand och/eller allvarliga kroppsskador.  
**Förvara alla varningar och anvisningar för framtida bruk.** Nedan använt begrepp "elverktyg" hänför sig till nätdrivna elverktyg (med nätsladd) och till batteridrivna elverktyg (sladdlösa).

### 1) ARBETSPLATSSÄKERHET

- a) **Håll arbetsplatsen ren och välbelyst.** Ordning på arbetsplatsen eller dåligt belyst arbetsområde kan leda till olyckor.
- b) **Använd inte elverktyget i explosionsfarlig omgivning med brännbara vätskor, gaser eller damm.** Elverktygen alstrar gnistor som kan antända dammet eller gaserna.
- c) **Håll under arbetet med elverktyget barn och obehöriga personer på betryggande avstånd.** Om du störs av obehöriga personer kan du förlora kontrollen över elverktyget.

### 2) ELEKTRISK SÄKERHET

- a) **Elverktygets stickpropp måste passa till vägguttaget. Stickproppen får absolut inte**

- förändras. Använd inte adapterkontakter tillsammans med skyddsjordade elverktyg. Oförändrade stickproppar och passande vägguttag reducerar risken för elektriskt slag.
- b) **Undvik kroppskontakt med jordade ytor som t. ex. rör, värmeelement, spisar och kylskåp.** Det finns en större risk för elektriskt slag om din kropp är jordad.
  - c) **Skydda elverktyget mot regn och väta.** Tränger vatten in i ett elverktyg ökar risken för elektriskt slag.
  - d) **Missbruka inte nätsladden och använd den inte för att bära eller hänga upp elverktyget och inte heller för att dra stickproppen ur vägguttaget. Håll nätsladden på avstånd från värme, olja, skarpa kanter och rörliga maskindelar.** Skadade eller tilltrasslade ledningar ökar risken för elektriskt slag.
  - e) **När du arbetar med ett elverktyg utomhus använd endast förlängningssladdar som är godkända för utomhusbruk.** Om en lämplig förlängningssladd för utomhusbruk används minskar risken för elektriskt slag.
  - f) **Använd en jordfelsbrytare om det inte är möjligt att undvika elverktygets användning i fuktig miljö.** Genom att använda en jordfelsbrytare minskas risken för elstöt.
- ### 3) PERSONSÄKERHET
- a) **Var uppmärksam, kontrollera vad du gör och använd elverktyget med förnuft. Använd inte elverktyget när du är trött eller om du är påverkad av droger, alkohol eller mediciner.** Under användning av elverktyg kan även en kort ouppmärksamhet leda till allvarliga kroppsskador.
  - b) **Bär alltid personlig skyddsutrustning och skyddsglasögon.** Användning av personlig skyddsutrustning som t. ex. dammfiltermask, halkfria säkerhetsskor, skyddshjälm och hörselskydd reducerar alltefter elverktygets typ och användning risken för kroppsskada.
  - c) **Undvik oavsiktlig igångsättning. Kontrollera att elverktyget är fränkopplat innan du ansluter stickproppen till vägguttaget och/eller ansluter tar bort batteriet, tar upp eller bär elverktyget.** Om du bär elverktyget med fingret på strömställaren eller ansluter påkopplat elverktyg till nätströmmen kan olycka uppstå.
  - d) **Ta bort alla inställningsverktyg och skruvnycklar innan du kopplar på elverktyget.** Ett verktyg eller en nyckel i en roterande komponent kan medföra kroppsskada.
  - e) **Överskatta inte din förmåga. Se till att du står stadigt och håller balansen.** I detta fall kan du lättare kontrollera elverktyget i oväntade situationer.
  - f) **Bär lämpliga kläder. Bär inte löst hängande kläder eller smycken. Håll håret, kläderna och handskarna på avstånd från rörliga delar.** Löst hängande kläder, smycken och långt hår kan dras in av roterande delar.
  - g) **Vid elverktyg med dammsugnings- och -uppsamlingsutrustning kontrollera att anordningarna är rätt monterade och används på korrekt sätt.** Användning av dammsugning minskar de risker damm orsakar.
- ### 4) OMSORGSFULL HANTERING OCH ANVÄNDNING AV ELVERKTYG
- a) **Överbelasta inte elverktyget. Använd för aktuellt**

- arbete avsett elverktyg. Med ett lämpligt elverktyg kan du arbeta bättre och säkrare inom angivet effektområde.
- b) **Ett elverktyg med defekt strömställare får inte längre användas.** Ett elverktyg som inte kan kopplas in eller ur är farligt och måste repareras.
  - c) **Dra stickproppen ur vägguttaget och/eller ta bort batteriet innan inställningar utförs, tillbehörskomponenter byts ut eller elverktyget lagras.** Denna skyddsåtgärd förhindrar oavsiktlig inkoppling av elverktyget.
  - d) **Förvara elverktygen oåtkomliga för barn. Låt elverktyget inte användas av personer som inte är förtrogna med dess användning eller inte läst denna anvisning.** Elverktygen är farliga om de används av oerfarna personer.
  - e) **Sköt elverktyget omsorgsfullt. Kontrollera att rörliga komponenter fungerar felfritt och inte kärvar, att komponenter inte brustit eller skadats; orsaker som kan leda till att elverktygets funktioner påverkas menligt. Låt skadade delar repareras innan elverktyget återanvänds.** Många olyckor orsakas av dåligt skötta elverktyg.
  - f) **Håll skärverktygen skarpa och rena.** Omsorgsfullt skötta skärverktyg med skarpa eggar kommer inte så lätt i kläm och går lättare att styra.
  - g) **Använd elverktyget, tillbehör, insatsverktyg osv. enligt dessa anvisningar. Ta hänsyn till arbetsvillkoren och arbetsmomenten.** Används elverktyget på icke ändamålsenligt sätt kan farliga situationer uppstå.
- ### 5) SERVICE
- a) **Låt elverktyget repareras endast av kvalificerad fackpersonal och med originalreservdelar.** Detta garanterar att elverktygets säkerhet upprätthålls.

## SÄKERHETSANVISNINGAR FÖR HYVLAR

### ALLMÄNT

- Den här maskinen ska inte användas av personer under 16 år
  - Ljudnivån vid arbete kan överskrida 85 dB(A); **använd hörselskydd** ④
  - Viss typ av damm, exempelvis färg som innehåller bly, vissa träsorter, mineraler och metaller kan vara hälsovådliga om de inhaleras (hudkontakt eller inandning) eller inandas (hudkontakt eller inandning); **använd andningsskydd** ⑤ **och arbeta med en dammuppsamlare om sådan anslutning finns**
  - Vissa typer av damm är klassificerade så som carcinogena (t.ex. ek- och björkdamm) särskilt i kombination med tillsatser för träbehandling; **använd andningsskydd** ⑤ **och arbeta med en dammuppsamlare om sådan anslutning finns**
  - Följ de nationella krav, som finns angående damm, för de material du skall arbeta med
  - SKIL kan endast garantera att maskinen fungerar felfritt om originaltillbehör används
  - Använd ej maskinen om sladden är trasig; låt den byta ut av en kvalificerad person
  - **Dra alltid ur stickkontakten från vägguttaget innan du gör någon justering eller byter tillbehör**
- ### FÖRE ANVÄNDNINGEN
- Kontrollera alltid att den tillförda strömtypen stämmer med spänningen som anges på maskinens märkplåt

- (maskiner med beteckningen 230V eller 240V kan även anslutas till 220V)
- Undvik skador genom att ta bort skruvar, spikar eller andra föremål ur arbetsstycket; ta dem bort innan du startar ett arbete
- Kontrollera innan du börjar använda verktyget att skären inte stryker emot någonstans
- Använd helt uttrulade och säkra förlängningssladdar med kapacitet på 16 A
- **Använd klämmor eller något annat praktiskt sätt att säkra och stötta arbetsstycket mot en stabil plattform** (om du håller arbetsstycket i handen eller mot kroppen blir det instabilt, vilket kan leda till att du tappar kontrollen)

#### UNDER ANVÄNDNINGEN

- **Håll elverktyget i det isolerade greppet eftersom saxen kan komma i kontakt med elsladden** (om en strömförande sladd skadas kan metalldelar i elverktyget också bli strömförande, vilket kan ge användaren en elektrisk stöt)
- Håll alltid sladden på säkert avstånd från rörliga maskindelar; för sladden bakåt bort från maskinen
- Håll fingrarna borta från de roterande skären
- I händelse av onormala elektriska eller mekaniska störningar, stäng genast av maskinen och dra ur stickkontakten
- Skadas eller kapas nätsladden under arbetet, rör inte vid sladden utan dra genast ur stickkontakten
- Om spån fastnar i spånutblåset, stäng av motorn, se till att alla rörliga delar har stannat helt, dra ur sladden och ta bort spånet

#### EFTER ANVÄNDNINGEN

- **Vänta tills skärblocket har stannat innan du ställer ifrån dig verktyget** (ett oskyddat skär kan komma åt en yta, vilket kan få dig att förlora kontrollen eller bli allvarligt skadat)

## ANVÄNDNING

- Byte/vändning av skären ⑥  
Hyveln har skär som inte kan slipas och med egg på båda sidorna; om en sida blir slö kan den andra användas  
**! stäng av maskinen och dra ut sladden**  
- tag ut nyckeln ur förvaringen A  
- vänd maskinen upp och ned  
- lossa de 3 bultarna B med nyckeln (ta inte ut bultarna)  
- tryck ut skäret ur skärblocket med en träbit  
- sätt tillbaka skäret i skärblocket åt andra hållet, eller använd ett nytt skär  
**! skären i kniven ska passa mot åsen i skärblocket**  
**! båda skärändarna ska sticka ut lika långt**  
- dra åt de 3 bultarna B här med nyckeln  
**! byt/vänd skären ofta; använd bara vassa skär**  
**! byt/vänd alltid båda skären samtidigt**  
**! försök inte justera skären med skärblocketskruvorna C; de är förinställda från fabriken**
- Hyveldjupjustering ⑦  
- vrid knoppen i riktning D "+"/"- för att öka/minska hyveldjupet  
- använd indikatorn E som referens  
- välj alltid först ett grunt hyveldjup och upprepa hyvlingen och justeringen tills önskat djup uppnåtts

- Flisöppning ⑧  
- anslut dammsugaren med adaptorn F till öppningen G enligt bilden  
**! försök inte ta bort fastsittande träflisor i öppningen när de skären är igång**
- Användning av maskinen  
- justera hyveldjupet  
- lägg upp maskinen på arbetsstycket  
**! se till att främre sulan vilar på verkstycket och att skären inte vidrör det**  
- starta verktyget genom att först trycka in knappen H ② (= säkerhetsbrytare som inte kan låsas) och därefter avtryckaren J ②  
**! innan skären når arbetsstycket ska verktyget ha kommit upp i full hastighet**  
**! under arbetet, håll alltid verktyget i det grå greppet ⑨**  
- håll stadigt i verktyget med båda händerna och för det framåt i en oavbruten rörelse  
- använd verktyget med basplattan på arbetsstycket - vicka inte på verktyget; då kan det bli fula hyvelmärken  
**! maskinen skall tas bort från arbetsstycket innan den stängs av**  
- stäng av verktyget genom att släppa avtryckaren J

## ANVÄNDNINGSTIPS

- För att fasa kanter använder du V-spår i den främre sulan ⑩  
- ställ knoppen D i läget "0" för fasning av kanter som liknar spår  
- för större spår vrids knoppen D för att välja önskat hyveldjup  
**! testa alltid först på ett överblivet material**
- För fler tips se [www.skil.com](http://www.skil.com)

## UNDERHÅLL / SERVICE

- Det här verktyget är inte avsedd för yrkesmässig användning
- Håll alltid din maskin och sladden ren (speciellt ventilationsöppningarna L ②)  
**! drag ur stickkontakten innan rengöring**
- Om i elverktyget trots exakt tillverkning och sträng kontroll störning skulle uppstå, bör reparation utföras av auktoriserad serviceverkstad för SKIL elverktyg  
- sänd in verktyget i **odemonterat skick** tillsammans med inköpsbevis till försäljaren eller till närmaste SKIL serviceverkstad (adresser till servicestationer och sprängskisser av maskiner finns på [www.skil.com](http://www.skil.com))

## MILJÖ

- **Elektriska verktyg, tillbehör och förpackning får inte kastas i hushållssoporna** (gäller endast EU-länder)  
- enligt direktivet 2002/96/EG som avser äldre elektrisk och elektronisk utrustning och dess tillämpning enligt nationell lagstiftning ska uttjänta elektriska verktyg sorteras separat och lämnas till miljövänlig återvinning  
- symbolen ⑪ kommer att påminna om detta när det är tid att kassera

# ☞ FÖRSÄKRAN OM ÖVERENSSTÄMMELSE

- Vi intygar och ansvarar för, att denna produkt överensstämmer med följande norm och dokument: EN 60745, EN 61000, EN 55014, enl. bestämmelser och riktlinjerna 2004/108/EG, 2006/42/EG, 2011/65/EU
- **Teknisk tillverkningsdokumentation finns hos:** SKIL Europe BV (PT-SEU/ENG1), 4825 BD Breda, NL

Marijn van der Hoofden  
Operations & Engineering

Olaf Dijkstra  
Approvals Manager

SKIL Europe BV, 4825 BD Breda, NL

27.06.2013

## LJUD/VIBRATION

- Ljudtrycksnivån som uppmätts enligt EN 60745 är på denna maskin 90 dB(A) och ljudeffektnivån 101 dB(A) (standard deviation: 3 dB), och vibration 5,1 m/s<sup>2</sup> (hand-arm metod; onoggrannhet K = 1,5 m/s<sup>2</sup>)
  - Vibrationsemissionsvärdet har uppmätts enligt ett standardiserat test i enlighet med EN 60745; detta värde kan användas för att jämföra vibrationen hos olika verktyg och som en ungefärlig uppskattning av hur stor vibration användaren utsätts för när verktyget används enligt det avsedda syftet
    - om verktyget används på ett annat än det avsedda syftet eller med fel eller dåligt underhållna tillbehör kan detta drastiskt **öka** vibrationsnivån
    - när verktyget stängs av eller är på men inte används, kan detta avsevärt **minska** vibrationsnivån
- ! skydda dig mot vibration genom att underhålla verktyget och dess tillbehör, hålla händerna varma och styra upp ditt arbetssätt**

DK

## Hövl

## 1558

## INLEDNING

- Dette værktøj er beregnet til at høvle i materialer af træ som bjælker og brædder; det er også egnet til at affasne kanter
- Dette værktøj er ikke beregnet til professionelt brug
- Læs og gem denne betjeningsvejledning ③

## TEKNISKE SPECIFIKATIONER ①

### VÆRKTØJETS DELE ②

- A Opbevaring for nøgle
- B Fastgørebolt
- C Skæreblokkruer
- D Knap til indstilling af høvl dybde
- E Indikator for høvl dybde
- F Støvsugeradaptere
- G Støvport
- H Sikkerhedsafbryder

- J Tænd/sluk afbryder
- K V-rille
- L Ventilationshuller

## SIKKERHED

### GENERALE SIKKERHEDSINSTRUKSER

**⚠ VIGTIGT! Læs alle advarselshenvisninger og instrukser.** I tilfælde af manglende overholdelse af advarselshenvisningerne og instrukserne er der risiko for elektrisk stød, brand og/eller alvorlige kvæstelser. **Opbevar alle advarselshenvisninger og instrukser til senere brug.** Det i advarselshenvisningerne benyttede begreb "el værktøj" refererer til netdrevet el værktøj (med netkabel) og akkudrevet el værktøj (uden netkabel).

### 1) SIKKERHED PÅ ARBEJDSPLADSEN

- Sørg for, at arbejdsområdet er rent og ryddeligt.** Uorden eller uoplyste arbejdsområder øger faren for uheld.
- Brug ikke maskinen i eksplosionstruede omgivelser, hvor der er brændbare væsker, gasser eller støv.** El-værktøj kan slå gnister, der kan antænde støv eller dampe.
- Sørg for, at andre personer og ikke mindst børn holdes væk fra arbejdsområdet, når maskinen er i brug.** Hvis man distraheres, kan man miste kontrollen over maskinen.

### 2) ELEKTRISK SIKKERHED

- Maskinens stik skal passe til kontakten. Stikket må under ingen omstændigheder ændres. Brug ikke adapterstik sammen med jordforbundne maskiner.** Uændrede stik, der passer til kontakterne, nedsætter risikoen for elektrisk stød.
- Undgå kropskontakt med jordforbundne overflader som f.eks. rør, radiatorer, komfurer og køleskabe.** Hvis din krop er jordforbundet, øges risikoen for elektrisk stød.
- Maskinen må ikke udsættes for regn eller fugt.** Indtrængning af vand i maskinen øger risikoen for elektrisk stød.
- Brug ikke ledningen til formål, den ikke er beregnet til (f.eks. må man aldrig bære maskinen i ledningen, hænge maskinen op i ledningen eller rykke i ledningen for at trække stikket ud af kontakten). Beskyt ledningen mod varme, olie, skarpe kanter eller maskindele, der er i bevægelse.** Beskadede eller indviklede ledninger øger risikoen for elektrisk stød.
- Hvis maskinen benyttes i det fri, må der kun benyttes en forlængerledning, der er godkendt til udendørs brug.** Brug af forlængerledning til udendørs brug nedsætter risikoen for elektrisk stød.
- Hvis det ikke kan undgås at bruge maskinen i fugtige omgivelser, skal der bruges et HFI-relæ.** Brug af et HFI-relæ reducerer risikoen for at få elektrisk stød.

### 3) PERSONLIG SIKKERHED

- Det er vigtigt at være opmærksom, se, hvad man laver, og bruge maskinen fornuftigt. Man bør ikke bruge maskinen, hvis man er træt, har nydt alkohol eller er påvirket af medicin eller euforiserende stoffer.** Få sekundær uopmærksomhed ved brug af

- maskinen kan føre til alvorlige personskader.
- b) **Brug beskyttelsesudstyr og hav altid beskyttelsesbriller på.** Brug af sikkerhedsudstyr som f.eks. støvmaske, skridsikkert fodtøj, beskyttelseshjelm eller høreværn afhængig af maskintype og anvendelse nedsætter risikoen for personskader.
- c) **Undgå utilsigtet igangsætning. Kontrollér, at el værktøjet er slukket, før du tilslutter det til strømtilførslen og/eller akkuen, løfter eller bærer det.** Undgå at bære el værktøjet med fingeren på afbryderen og sørg for, at el værktøjet ikke er tændt, når det slutes til nettet, da dette øger risikoen for personskader.
- d) **Fjern indstillingsværktøj eller skruenøgle, inden maskinen tændes.** Hvis et stykke værktøj eller en nøgle sidder i en roterende maskindel, er der risiko for personskader.
- e) **Overvurder ikke dig selv. Sørg for at stå sikkert, mens der arbejdes, og kom ikke ud af balance.** Det er derved nemmere at kontrollere maskinen, hvis der skulle opstå uventede situationer.
- f) **Brug egnet arbejdstøj. Undgå løse beklædningsgenstande eller smykker. Hold hår, tøj og handsker væk fra dele, der bevæger sig.** Dele, der er i bevægelse, kan gribe fat i løstsiddende tøj, smykker eller langt hår.
- g) **Hvis støvudsugnings- og opsamlingsudstyr kan monteres, er det vigtigt, at dette tilsluttes og benyttes korrekt.** Brug af en støvopsugning nedsætter risikoen for personskader som følge af støv.
- 4) OMHYGSELIG OMGANG MED OG BRUG AF EL-VÆRKTØJ**
- a) **Undgå overbelastning af maskinen. Brug altid en maskine, der er beregnet til det stykke arbejde, der skal udføres.** Med den rigtige maskine arbejder man bedst og mest sikkert inden for det angivne effektområde.
- b) **Brug ikke en maskine, hvis afbryder er defekt.** En maskine, der ikke kan startes og stoppes, er farlig og skal repareres.
- c) **Træk stikket ud af stikkontakten og/eller fjern akkuen, inden maskinen indstilles, der skiftes tilbehørsdele, eller maskinen lægges fra.** Disse sikkerhedsforanstaltninger forhindrer utilsigtet start af maskinen.
- d) **Opbevar ubenyttet el-værktøj uden for børns rækkevidde. Lad aldrig personer, der ikke er fortrolige med maskinen eller ikke har gennemlæst disse instrukser, benytte maskinen.** El-værktøj er farligt, hvis det benyttes af ukyndige personer.
- e) **Maskinen bør vedligeholdes omhyggeligt. Kontrollér, om bevægelige dele fungerer korrekt og ikke sidder fast, og om delene er brækket eller beskadiget, således at maskinens funktion påvirkes. Få beskadigede dele repareret, inden maskinen tages i brug.** Mange uheld skyldes dårligt vedligeholdte maskiner.
- f) **Sørg for, at skæreværktøjet er skarpe og rene.** Omhyggeligt vedligeholdte skæreværktøjet med skarpe skærekanten sætter sig ikke så hurtigt fast og er nemmere at føre.
- g) **Brug el-værktøj, tilbehør, indsatsværktøj osv. iht. disse instrukser. Tag hensyn til arbejdsforholdene**

**og det arbejde, der skal udføres.** I tilfælde af anvendelse af værktøjet til formål, som ligger uden for det fastsatte anvendelsesområde, kan der opstå farlige situationer.

## 5) SERVICE

- a) **Sørg for, at maskinen kun repareres af kvalificerede fagfolk, og at der kun benyttes originale reservedele.** Dermed sikres størst mulig maskinsikkerhed.

## SIKKERHEDSINSTRUKSER FOR HØVLE

### GENERELT

- Dette værktøj må ikke bruges af personer under 16 år
- Under arbejde med værktøjet kan lydniveauet overstige 85 dB(A); **brug høreværn** (4)
- Støv fra materiale som f.eks. maling, der indeholder bly, nogle træsorter, mineraler og metal kan være skadeligt (kontakt med eller indånding af støvet kan forårsage allergiske reaktioner og/eller sygdomme i luftvejene hos den, der anvender værktøjet, eller hos omkringstående); **bær en støvmaske** (5) **og arbejd med en støvudsugningsanordning, hvor en sådan kan slutes til**
- Visse slags støv er klassificeret som kræftfremkaldende (som f.eks. støv fra eg og bøg) især i forbindelse med til sætningsstoffer til træbehandling; **bær en støvmaske** (5) **og arbejd med en støvudsugningsanordning, hvor en sådan kan slutes til**
- Følg de nationale krav, hvad angår støv, for de materialer, du ønsker at arbejde med
- SKIL kan kun sikre en korrekt funktion af værktøjet, hvis der benyttes originalt tilbehør
- Brug ikke værktøjet, hvis kablet er beskadiget; få det skiftet ud af en anerkendt fagmand
- **Fjern altid først stikket fra kontakten, før De foretager nogle ændringer eller skifter tilbehør**

### INDEN BRUG

- Kontrollér altid at forsyningsspændingen er den samme som den spænding, der er anført på værktøjets navneskilt (værktøj med betegnelsen 230V eller 240V kan også tilsluttes til 220V)
- Undgå skader forårsaget af skruer, søm eller andre materialer i arbejdsstykket; fjern disse før De begynder at arbejde
- Før værktøjet anvendes, skal man kontrollere, at knivene ikke går på nogen steder
- Anvend helt udrullede og sikre forlængerledninger med en kapacitet på 16 A
- **Brug klemmer eller en anden praktisk måde til at sikre og støtte arbejdsemnet til en stabil platform** (hvis du holder arbejdsemnet i hånden eller mod kroppen, kan du miste kontrol over værktøjet)

### UNDER BRUG

- **Hold elværktøjet i de isolerede greb, fordi skæreren kan berøre sin egen ledning** (hvis der slibes i et "levende" kabel, kan det gøre udsatte metaldele på elværktøjet "levende" og kan give operatøren elektrisk stød)
- Hold altid ledningen væk fra værktøjets bevægelige dele; før altid ledningen bagud, væk fra værktøjet
- Hold fingrene væk fra de roterende knive
- I tilfælde af elektrisk eller mekanisk fejlfunktion skal afbryderen straks afbrydes og stikket tages ud af kontakten

- Hvis kablet beskadiges eller skæres over under arbejdet, ikke berør kablet, og straks træk ud stikket
- Hvis en spån skulle sætte sig fast i spånudgangen, skal du slukke for motoren og sikre, at alle bevægelige dele er stoppet helt, tage stikket ud og fjerne den blokerende spån

#### EFTER BRUG

- **Vent til skæreblokken standser, før værktøjet sættes ned** (en blotlagt kniv kan gå ned i overfladen og medføre evt. tab af herredømme og alvorlige kvæstelser)

## BETJENING

- Udskiftning/vending af knivene ⑥  
Denne høvl er udstyret med knive, som ikke kan slibes, men der har skærekanter på begge sider; så hvis den ene side bliver sløv, kan den anden side anvendes  
**! sluk værktøjet og træk stikket ud af stikkontakten**  
- tag nøglen ud af opbevaring A  
- vend værktøjet på hovedet  
- løs de 3 bolte B med nøglen (fjern ikke boltene)  
- skub kniven ud af skæreblokken med et stykke træ  
- sæt kniven tilbage i skæreblokken i omvendt position eller anvend en ny kniv  
**! rillen i kniven skal passe til fremspringet på skæreblokken**  
**! begge knivender skal stikke lige meget frem**  
- stram de 3 bolte B godt med nøglen  
**! udskift/vend knivene i god tid; brug kun skarpe knive**  
**! udskift/vend altid begge knive samtidig**  
**! forsøg ikke at justere knivene med skæreblokskrueerne C, som er fabriksindstillede**
- Justering af høvldybde ⑦  
- drej knappen D i retningen "+"/"-" for at øge/reducere høvldybden  
- brug indikatoren E som reference  
- vælg altid en ikke for dyb høvldybde og gentag høvle- og justeringsprocessen, indtil den ønskede dybde er opnået
- Støvport ⑧  
- forbind støvsugeren med adapteren F til støvporten G som vist på illustrationen  
**! forsøg ikke at fjerne forhindringer fra støvporten, mens knivene roterer**
- Betjening af værktøjet  
- justér høvldybden  
- placér værktøjet på arbejdsemnet  
**! sørg for at kun den front sål hviler på arbejdsemnet og at knivene ikke er i berøring med det**  
- tænd for værktøjet ved først at trykke på knap H ② (= sikkerhedsafbryder, som ikke kan låses) og derefter på afbryder J ②  
**! før knivene kommer i kontakt med arbejdsemnet, skal værktøjet køre med fuld hastighed**  
**! under arbejde, hold altid om værktøjet på de grå markerede grebsområde(r) ⑨**  
- hold godt fast i værktøjet med begge hænder og før det fremad i en kontinuerlig bevægelse  
- anvend værktøjet med bundpladen på arbejdsemnet  
- vip ikke værktøjet for at undgå uønskede høvlemærker

**! før der slukkes for værktøjet, skal det løftes op fra arbejdsemnet**

- sluk værktøjet ved at slippe afbryder J

## GODE RÅD

- Ved affasning af kanter anvendes V-rille i frontsålen ⑩  
- drej knappen D til position "0" for at affase kanterne, så de passer til den rille  
- for større riller skal du dreje knappen D til at vælge den nødvendige høvldybde  
**! test altid først på et stykke kasseret materiale**
- For flere tips se [www.skil.com](http://www.skil.com)

## VEDLIGEHOLDELSE/SERVICE

- Dette værktøj er ikke beregnet til professionelt brug
- Hold værktøjet og ledningen ren (især ventilationshullerne L ②)  
**! træk stikket ud før rensning**
- Skulle el værktøjet trods omhyggelig fabrikation og kontrol holde op med at fungere, skal reparationen udføres af et autoriseret serviceværksted for SKIL-elektroværktøj  
- send den **uskilte** værktøjet sammen med et købsbevis til forhandleren eller nærmeste SKIL serviceværksted (adresser og reservedelstegning af værktøjet findes på [www.skil.com](http://www.skil.com))

## MILJØ


- **Elværktøj, tilbehør og emballage må ikke bortskaffes som almindeligt affald** (kun for EU-lande)  
- i henhold til det europæiske direktiv 2002/96/EF om bortskaffelse af elektriske og elektroniske produkter og gældende national lovgivning, skal brugt elværktøj indsamles separat og bortskaffes på en måde, der skåner miljøet mest muligt  
- symbolet ⑪ erindrer dig om dette, når udskiftning er nødvendig

## CE-OVERENSSTEMMELSESERKLÆRING

- Vi erklærer under almindeligt ansvar, at dette produkt er i overensstemmelse med følgende normer eller normative dokumenter: EN 60745, EN 61000, EN 55014, i henhold til bestemmelserne i direktiverne 2004/108/EF, 2006/42/EF, 2011/65/EU
- **Teknisk dossier hos:** SKIL Europe BV (PT-SEU/ENG1), 4825 BD Breda, NL

Marijn van der Hoofden  
Operations & Engineering

Olaf Dijkgraaf  
Approvals Manager

  
SKIL Europe BV, 4825 BD Breda, NL  
27.06.2013

## STØJ/VIBRATION

- Måles efter EN 60745 er lydtrykniveau af dette værktøj 90 dB(A) og lydeffektniveau 101 dB(A) (standard deviation: 3 dB), og vibrationsniveauet 5,1 m/s<sup>2</sup> (hånd-arm metoden; usikkerhed K = 1,5 m/s<sup>2</sup>)

- Det vibrasjonsnivå er målt i henhold til den standardiserte test som anført i EN 60745; den kan benyttes til å sammenligne to stykker værktøy og som en foreløpig bedømmelse av utsættelsen for vibrasjoner, når værktøyet anvendes til de nævnte formål
  - anvendes værktøyet til andre formål eller med annet eller dårlig vedlikeholdt tilbehør, kan dette **øge** utsættelsesnivået betydelig
  - de tidsrum, hvor værktøyet er slukket, eller hvor det kører uten reelt å utføre noe arbeid, kan **reducere** utsættelsesnivået betydelig
- ! **beskyt dig selv imod virkningerne af vibrationer ved at vedlikeholde værktøjet og dets tilbehør, ved at holde dine hænder varme og ved at organisere dine arbejdsmønstre**

N

Høvel

1558

## INTRODUKSJON

- Dette verktøyet er beregnet til å høvle materialer av tre, som bjelker og bord; den egner seg også til skråhøvling av kanter
- Dette verktøyet er ikke beregnet på profesjonell bruk
- Les og ta vare på denne brukerveiledningen ③

## TEKNISKE OPPLYSNINGER ①

## VERKTØYELEMENTER ②

- A Oppbevaring for nøkkel
- B Festebolt
- C Kuttervalsenskrue
- D Justeringsknapp for høvledybde
- E Høvledybde-indikator
- F Støvsugeradapter
- G Sponutkast
- H Sikkerhetsbryter
- J Av/på bryter
- K V-fals
- L Ventilasjonsåpninger

## SIKKERHET

### GENERELLE SIKKERHETSANVISNINGER

#### ⚠ OBS! Les gjennom alle advarslene og anvisningene.

Feil ved overholdelsen av advarslene og nedenstående anvisninger kan medføre elektriske støt, brann og/eller alvorlige skader. **Ta godt vare på alle advarslene og informasjonene.** Det nedenstående anvendte uttrykket "elektroverktøy" gjelder for strømdrevne elektroverktøy (med ledning) og batteridrevne elektroverktøy (uten ledning).

#### 1) SIKKERHET PÅ ARBEIDSPLASSEN

- a) **Hold arbeidsområdet rent og ryddig.** Rotete arbeidsområder eller arbeidsområder uten lys kan føre til ulykker.
- b) **Ikke arbeid med maskinen i eksplosjonsutsatte omgivelser – der det befinner seg brennbare**

**væsker, gass eller støv.** Elektroverktøy lager gnister som kan antenne støv eller damper.

- c) **Hold barn og andre personer unna når elektroverktøyet brukes.** Hvis du blir forstyrret under arbeidet, kan du miste kontrollen over maskinen.
- #### 2) ELEKTRISK SIKKERHET
- a) **Støpset til maskinen må passe inn i stikkontakten. Støpset må ikke forandres på noen som helst måte. Ikke bruk adapterstøpsler sammen med jordede maskiner.** Bruk av støpsler som ikke er forandret på og passende stikkontakter reduserer risikoen for elektriske støt.
  - b) **Unngå kroppskontakt med jodede overflater slik som rør, ovner, komfyrer og kjøleskap.** Det er større fare ved elektriske støt hvis kroppen din er jodet.
  - c) **Hold maskinen unna regn eller fuktighet.** Dersom det kommer vann i et elektroverktøy, øker risikoen for elektriske støt.
  - d) **Ikke bruk ledningen til andre formål, f.eks. til å bære maskinen, henge den opp eller trekke den ut av stikkontakten. Hold ledningen unna varme, olje, skarpe kanter eller maskindeler som beveger seg.** Med skadede eller opphopede ledninger øker risikoen for elektriske støt.
  - e) **Når du arbeider utendørs med et elektroverktøy, må du kun bruke en skjoteledning som er godkjent til utendørs bruk.** Når du bruker en skjoteledning som er egnet for utendørs bruk, reduseres risikoen for elektriske støt.
  - f) **Hvis det ikke kan unngås å bruke elektroverktøyet i fuktige omgivelser, må du bruke en jordfeilbryter.** Bruk av en jordfeilbryter reduserer risikoen for elektriske støt.
- #### 3) PERSONSIKKERHET
- a) **Vær oppmerksom, pass på hva du gjør, gå fornuftig frem når du arbeider med et elektroverktøy. Ikke bruk maskinen når du er trett eller er påvirket av narkotika, alkohol eller medikamenter.** Et øyeblikks uoppmerksomhet ved bruk av maskinen kan føre til alvorlige skader.
  - b) **Bruk personlig verneutstyr og husk alltid å bruke vernebriller.** Bruk av personlig sikkerhetsutstyr som støvmaske, sklifaste arbeidssko, hjelm eller hørselvern – avhengig av type og bruk av elektroverktøyet – reduserer risikoen for skader.
  - c) **Unngå å starte verktøyet ved en feiltagelse. Forviss deg om at elektroverktøyet er slått av før du kobler det til strømmen og/eller batteriet, løfter det opp eller bærer det.** Hvis du holder fingeren på bryteren når du bærer elektroverktøyet eller kobler elektroverktøyet til strømmen i innkoblet tilstand, kan dette føre til uhell.
  - d) **Fjern innstillingsverktøy eller skrunøkler før du slår på elektroverktøyet.** Et verktøy eller en nøkkel som befinner seg i en roterende maskindel, kan føre til skader.
  - e) **Ikke overvurder deg selv. Sørg for å stå stødig og i balanse.** Dermed kan du kontrollere maskinen bedre i uventede situasjoner.
  - f) **Bruk alltid egnede klær. Ikke bruk vide klær eller smykker. Hold hår, tøy og hansker unna deler som beveger seg.** Løstsittende tøy, smykker eller langt hår kan komme inn i deler som beveger seg.

- g) Hvis det kan monteres støvavsug- og oppsamlingsinnretninger, må du forvise deg om at disse er tilkoblet og brukes på korrekt måte. Bruk av et støvavsug reduserer faren på grunn av støv.

#### 4) AKTSOM HÅNTERING OG BRUK AV ELEKTROVERKTØY

- a) Ikke overbelast maskinen. Bruk et elektroverktøy som er beregnet til den type arbeid du vil utføre. Med et passende elektroverktøy arbeider du bedre og sikrere i det angitte effektområdet.
- b) Ikke bruk elektroverktøy med defekt på-/avbryter. Et elektroverktøy som ikke lenger kan slås av eller på, er farlig og må repareres.
- c) Trekk støpselet ut av stikkkontakten og/eller fjern batteriet før du utfører innstillinger på elektroverktøyet, skifter tilbehørsdeler eller legger maskinen bort. Disse tiltakene forhindrer en utilsikket startung av maskinen.
- d) Elektroverktøy som ikke er i bruk må oppbevares utilgjengelig for barn. Ikke la maskinen brukes av personer som ikke er fortrolig med dette eller ikke har lest disse anvisningene. Elektroverktøy er farlige når de brukes av uerfarne personer.
- e) Vær nøye med vedlikeholdet av maskinen. Kontroller om bevegelige maskindeler fungerer feilfritt og ikke klemmes fast, og om deler er brukt eller skadet, slik at dette innvirker på maskinens funksjon. La skadede deler repareres før maskinen brukes. Dårlig vedlikeholdte elektroverktøy er årsaken til mange uhell.
- f) Hold skjæreverktøyene skarpe og rene. Godt stelte skjæreverktøy med skarpe skjær setter seg ikke så ofte fast og er lettere å føre.
- g) Bruk elektroverktøy, tilbehør, verktøy osv. i henhold til disse anvisningene. Ta hensyn til arbeidsforholdene og arbeidet som skal utføres. Bruk av elektroverktøy til andre formål enn det som er angitt kan føre til farlige situasjoner.

#### 5) SERVICE

- a) Maskinen din skal alltid kun repareres av kvalifiserte fagpersonale og kun med originale reservedeler. Slik opprettholdes maskinens sikkerhet.

### SIKKERHETSINSTRUKSJONER FOR HØVLER

#### GENERELL

- Verktøyet må ikke brukes av personer under 16 år
- Støynivået under arbeid kan overskride 85 dB(A); **bruk hørselvern** ④
- Støv fra materialer som blyholdig maling, visse tresorter, mineraler og metall kan være skadelig (kontakt med eller inhalering av støv kan gi allergiske reaksjoner og/eller sykdommer i åndedretsorganene for brukeren eller personer i nærheten); **bruk støvmaske** ⑤ **og arbeid med støvfjerningsutstyr når det er mulig**
- Visse typer støv er klassifisert som kreftfremkallende (som f.eks. støv fra eik og bøk), spesielt sammen med tilsetningsstoffer for trebehandling; **bruk støvmaske** ⑤ **og arbeid med støvfjerningsutstyr når det er mulig**
- Følg de nasjonale krav, når det gjelder støv for de materialer du ønsker å arbeide med
- SKIL kan kun garantere et feilfritt verktøy dersom original-tilbehør brukes

- Bruk ikke verktøyet dersom kabel er skadet; få den skiftet ut af en anerkendt fagmand
- **Ta alltid ut kontakten før du forandrer innstillinger på sagen eller skifter tilbehør**

#### FØR BRUK

- Sjekk alltid at tilført spenningen er den samme som oppgitt på verktøyet merkeplate (verktøy som er betegnet med 230V eller 240V kan også koples til et 220V strømuttak)
- Ungå skade p.g.a. skruer, spiker eller andre elementer i arbeidsstykket; fjernes før man starter jobben
- Før verktøyet tas i bruk, sjekk at knivene ikke børster borti noe
- Bruk helt utrullet og sikker skjøteledning med en kapasitet på 16 A
- **Bruk klemmer eller andre praktiske måter å sikre og støtte arbeidsstykket til et stødig underlag** (å holde arbeidsstykket i hånden eller mot kroppen gjør det ustødig og kan føre til tap av kontroll)

#### UNDER BRUK

- **Ta kun tak i elektroverktøyet på de isolerte gripeflatene, fordi kutteverktøy kan komme i berøring med ledningen** (hvis en strømførende ledning kuttet, kan metalldele på elektroverktøyet bli strømførende og brukeren kan få elektrisk støt)
- Hold alltid kabelen borte fra bevegelige deler på verktøyet; før kabelen bakover bort fra verktøyet
- Hold fingrene dine borte fra roterende kniver
- I tilfelle en elektrisk eller mekanisk sviikt, skal verktøyet med en gang slås av og støpset trekkes ut
- Hvis kabelen skades eller kappes under arbeid må kabelen ikke berøres, men støpselet straks trekkes ut
- Hvis en spon skulle sette seg fast i sponutkastet, skal du slå av motoren, forsikre deg om at alle bevegelige deler står stille, dra ut støpset og fjern sponet Ta hensyn til de krefter som da oppstår ved blokkering (spesielt ved boring i metaller); hold alltid verktøyet fast med begge hender og pass på å stå stødig

#### ETTER BRUK

- **Vent til kuttervalsen har stoppet før verktøyet settes ned** (en eksponert kniv som kommer i kontakt med en overflate kan gjøre at du mister kontrollen på høvelen; dette kan føre til alvorlig skade)

### BRUK

- Skifte/snu kniver ⑥  
Høvelen er utstyrt med slipefrie kniver med vendbare skjærekanter; når den ene siden blir sløv, kan den andre siden brukes  
**! slå av verktøyet og trekk støpset ut av kontakten**  
- bruk skrunøkkel som er oppbevart i oppbevaring A  
- vend verktøyet opp ned  
- løsne på de tre boltene B ved å bruke skrunøkkel (ikke ta boltene ut)  
- skyv kniven ut av kuttervalsen med et trestykke  
- snu kniven og monter den på nytt i kuttervalsen, eller monter en ny kniv  
**! sporet i kniven skal passe i fremspringet på kuttervalsen**  
**! begge endene på kniven skal stikke ut like mye på begge sider**  
- skru de tre boltene B godt til med skrunøkkel  
**! skift/snu knivene i tide; bruk kun skarpe kniver**  
**! begge knivene skal skiftes/snus samtidig**



- ! **det må ikke gjøres forsøk på å justere knivene med kuttervalsenskruerne C; disse er forhåndsjustert fra fabrikk**
- Justering av høveldybde ⑦
  - drei knappen D i retning "+"/"- for å øke/reducere høveldybden
  - bruk indikator E som referanse
  - bruk alltid lav høveldybde og gjenta høvling og justering av høveldybden til ønsket dybde er oppnådd
- Sponutkast ⑧
  - koble til støvsuger med adapter F til sponutkastet G som vist
- ! **ikke forsøk å fjerne noe som blokkerer sponutkastet mens knivene roterer**
- Bruk av verktøyet
  - juster høveldybde
  - sett verktøyet på arbeidsstykket

! **vær sikker på at kun fremre delen på sålen hviler på arbeidsstykket og at knivene ikke kommer i kontakt med det**

- slå på verktøyet ved først å trykke inn knapp H ② (= sikkerhetsbryter som ikke kan låses) og deretter trykk inn bryter J ②

! **før knivene kommer i kontakt med arbeidsstykket, skal verktøyet arbeide på full hastighet**

! **under arbeid, hold verktøyet alltid i grått(gråe) grepsområde(r) ⑨**

- hold godt tak i verktøyet med begge hender og skyv det fremover i en kontinuerlig bevegelse

- bruk høvelen slik at verktøysålen hviler på arbeidsstykket

- verktøyet må ikke holdes på skrå for å unngå uønskede høvelmerker

! **før verktøyet slås av, løft det bort fra arbeidsstykket**

- slå av verktøyet ved å frigjøre bryter J

## BRUKER TIPS

- Bruk V-fals i fremre delen på sålen for å skråhøve av kanter ⑩
- sett knappen D i posisjon "0" for skråhøvling av kanter i likhet med fals
- for større fals, drei knappen D for å velge ønsket høveldybde
- ! **prøv alltid først på et stykke restmateriale**
- Se flere tips på [www.skil.com](http://www.skil.com)

## VEDLIKEHOLD / SERVICE

- Dette verktøyet er ikke beregnet på profesjonell bruk
- Hold alltid verktøyet og kabelen ren (spesielt ventilasjonshullene L ⑫)
- ! **dra ut støpselet før rengjøring**
- Hvis elektroverktøyet til tross for omhyggelige produksjons- og kontrollmetoder en gang skulle sviakte, må reparasjonen utføres av et autorisert serviceverksted for SKIL-elektroverktøy
- send verktøyet i **montert** tilstand sammen med kjøpebevis til forhandleren eller nærmeste SKIL servicesenter (adresser liksom service diagram av verktøyet finner du på [www.skil.com](http://www.skil.com))

## MILJØ

- **Kast aldri elektroverktøy, tilbehør og emballasje i husholdningsavfallet** (kun for EU-land)
  - i henhold til EU-direktiv 2002/96/EF om kasserte elektriske og elektroniske produkter og direktivets iverksettning i nasjonal rett, må elektroverktøy som ikke lenger skal brukes, samles separat og returneres til et miljøvennlig gjenvinningsanlegg
  - symbolet ⑪ er påtrykt som en påminnelse når utskiftning er nødvendig

## CE SAMSVARERKLÆRING

- Vi erklærer at det er under vårt ansvar at dette produkt er i samsvar med følgende standarder eller standarddokumenter: EN 60745, EN 61000, EN 55014, i samsvar med reguleringer 2004/108/EF, 2006/42/EF, 2011/65/EU
- **Tekniske underlag hos:** SKIL Europe BV (PT-SEU/ENG1), 4825 BD Breda, NL

Marijn van der Hoofden  
Operations & Engineering

Olaf Dijkgraaf  
Approvals Manager

SKIL Europe BV, 4825 BD Breda, NL

27.06.2013

## STØY/VIBRASJON

- Målt ifølge EN 60745 er lydtrykknivået av dette verktøyet 90 dB(A) og lydstyrkenivået 101 dB(A) (standard deviasjon: 3 dB), og vibrasjonsnivået 5,1 m/s<sup>2</sup> (hånd-arm metode; usikkerhet K = 1,5 m/s<sup>2</sup>)
- Det avgitte vibrasjonsnivået er blitt målt i samsvar med en standardisert test som er angitt i EN 60745; den kan brukes til å sammenligne et verktøy med et annet, og som et foreløpig overslag over eksponering for vibrasjoner ved bruk av verktøyet til de oppgavene som er nevnt
  - bruk av verktøyet til andre oppgaver, eller med annet eller mangelfullt vedlikeholdt utstyr, kan gi en vesentlig **økning** av eksponeringsnivået
  - tidsrommene når verktøyet er avslått eller når det går men ikke arbeider, kan gi en vesentlig **reduksjon** av eksponeringsnivået
- ! **beskytt deg selv mot virkningene av vibrasjoner ved å vedlikeholde verktøyet og utstyret, holde hendene varme og organisere arbeidsmåten din**

FIN

Höylä

1558

## ESITTELY

- Koneet on tarkoitettu puutavaran, kuten palkkien ja lautojen höyläykseen; se soveltuu myös reunojen viistotukseen
- Tämä työkalua ei ole tarkoitettu ammattikäyttöön
- Lue ja säilytä tämä ohjekirja ⑬

## TEKNISET TIEDOT ①

### LAITTEEN OSAT ②

- A Säilytyspaikka avainta varten
- B Kiinnityspultti
- C Teräpäänruuvit
- D Nuppi höyläyssyvyyden asettamiseksi
- E Höyläyssyvyyden osoitin
- F Pölynimurin sovitin
- G Lastunpoisto
- H Turvakytkin
- J Virtakytkin
- K V-ura
- L Ilmanvaihto-aukot

## TURVALLISUUS

### YLEISET TURVALLISUUSOHJEET

**⚠️ HUOMIO!** Lue kaikki turvallisuus- ja muut ohjeet. Turvallisuusohjeiden noudattamisen laiminlyönti saattaa johtaa sähköiskuun, tulipaloon ja/tai vakavaan loukkaantumiseen. **Säilytä kaikki turvallisuus- ja muut ohjeet tulevaisuutta varten.** Turvallisuusohjeissa käytetty käsite "sähkötyökalu" käsittää verkkoikäyttöisiä sähkötyökaluja (verkkojohdolla) ja akkukäyttöisiä sähkötyökaluja (ilman verkkojohtoa).

#### 1) TYÖPAIKAN TURVALLISUUS

- a) **Pidä työskentelyalue puhtaana ja hyvin valaistuna.** Työpaikan epäjärjestys tai valaisemattomat työalueet voivat johtaa tapaturmiin.
- b) **Älä työskentele sähkötyökalulla räjähdysalttiissa ympäristössä, jossa on palavaa nestettä, kaasua tai pölyä.** Sähkötyökalu muodostaa kipinöitä, jotka saattavat sytyttää pölyn tai höyryä.
- c) **Pidä lapset ja sivulliset loitolla sähkötyökalua käyttäessäsi.** Voit menettää laitteesi hallinnan, huomiosi suuntautuessa muualle.

#### 2) SÄHKÖTURVALLISUUS

- a) **Sähkötyökalun pistotulpan tulee sopia pistorasiaan.** Pistotulppaa ei saa muuttaa millään tavalla. Älä käytä mitään pistorasia-adaptereita maadoitettujen sähkötyökalujen kanssa. Alkuperäisessä kunnossa olevat pistotulpat ja sopivat pistorasiat vähentävät sähköiskun vaaraa.
- b) **Vältä koskettamasta maadoitettuja pintoja, kuten putkia, pattereita, liesiä tai jääkaappeja.** Sähköiskun vaara kasvaa, jos kehosi on maadoitettu.
- c) **Älä aseta sähkötyökalua alttiiksi sateelle tai kosteudelle.** Veden tunkeutuminen sähkötyökalun sisään kasvattaa sähköiskun riskiä.
- d) **Älä käytä verkkojohtoa väärin. Älä käytä sitä sähkötyökalun kantamiseen, vetämiseen tai pistotulpan irrottamiseen pistorasiasta.** Pidä johto loitolla kuumuudesta, öljystä, terävistä reunoista ja liikkuvista osista. Vahingoittuneet tai sotkeutuneet johdot kasvattavat sähköiskun vaaraa.
- e) **Käyttäessäsi sähkötyökalua ulkona, käytä ainoastaan ulkokäyttöön soveltuvaa jatkojohtoa.** Ulkokäyttöön soveltuvan jatkojohdon käyttö pienentää sähköiskun vaaraa.

- f) **Jos sähkötyökalun käyttö kosteassa ympäristössä ei ole vältettävissä, tulee käyttää maavuotokatkaisijaa.** Maavuotokatkaisijan käyttö vähentää sähköiskun vaaraa.

#### 3) HENKILÖTURVALLISUUS

- a) **Ole valpas, kiinnitä huomiota työskentelyysi ja noudata tervettä järkeä sähkötyökalua käyttäessäsi. Älä käytä sähkötyökalua, jos olet väsynyt tai huumeiden, alkoholin tahi lääkkeiden vaikutuksen alaisena.** Hetken tarkkaamattomuus sähkötyökalua käytettäessä, saattaa johtaa vakavaan loukkaantumiseen.
  - b) **Käytä suojavarusteita. Käytä aina suojalaseja.** Henkilökohtaisen suojavarustuksen käyttö, kuten pölynaamarin, luistamattomien turvakengien, suojakypärän tai kuulonsuojaimien, riippuen sähkötyökalun lajista ja käyttötavasta, vähentää loukkaantumisriskiä.
  - c) **Vältä tahatonta käynnistämistä. Varmista, että sähkötyökalu on poiskytkettynä, ennen kuin liität sen sähköverkkoon ja/tai liität akun, otat sen käteen tai kannat sitä.** Jos kannat sähkötyökalua sormi käynnistyskytkimellä tai kytket sähkötyökalun pistotulpan pistorasiaan, käynnistyskytkimen ollessa käyntiasennossa, altistat itsesi onnettomuuksille.
  - d) **Poista kaikki säätötyökalut ja ruuvitalat, ennen kuin käynnistät sähkötyökalun.** Työkalu tai avain, joka sijaitsee laitteen pyörivässä osassa, saattaa johtaa loukkaantumiseen.
  - e) **Älä yliarvioi itseäsi. Huolehdi aina tukevasta seisoma-asennosta ja tasapainosta.** Täten voit paremmin hallita sähkötyökalua odottamattomissa tilanteissa.
  - f) **Käytä tarkoitukseen soveltuvia vaatteita. Älä käytä löysiä työvaatteita tai koruja. Pidä hiukset, vaatteet ja käsinneet loitolla liikkuvista osista.** Väljät vaatteet, korut ja pitkät hiukset voivat tarttua liikkuviin osiin.
  - g) **Jos pölynimu- ja keräilylaitteita voidaan asentaa, tulee sinun tarkistaa, että ne on liitetty ja että ne käytetään oikealla tavalla.** Pölynimulaitteiston käyttö vähentää pölyn aiheuttamia vaaroja.
- #### 4) SÄHKÖTYÖKALUJEN KÄYTTÖ JA HOITO
- a) **Älä ylikuormita laitetta. Käytä kyseiseen työhön tarkoitettua sähkötyökalua.** Sopivaa sähkötyökalua käyttäen työskentelet paremmin ja varmemmin tehoalueella, jolle sähkötyökalu on tarkoitettu.
  - b) **Älä käytä sähkötyökalua, jota ei voida käynnistää ja pysäyttää käynnistyskytkimestä.** Sähkötyökalu, jota ei enää voida käynnistää ja pysäyttää käynnistyskytkimellä, on vaarallinen ja se täytyy korjata.
  - c) **Irrota pistotulppa pistorasiasta, ennen kuin suoritat säätöjä, vaihdat tarvikkeita tai siirät sähkötyökalun varastoitavaksi.** Nämä turvatoimenpiteet pienentävät sähkötyökalun tahattoman käynnistysriskin.
  - d) **Säilytä sähkötyökalut poissa lasten ulottuvilta, kun niitä ei käytetä. Älä anna sellaisten henkilöiden käyttää sähkötyökalua, jotka eivät tunne sitä tai jotka eivät ole lukeneet tätä käyttöohjetta.** Sähkötyökalut ovat vaarallisia, jos niitä käyttävät kokemattomat henkilöt.
  - e) **Hoida sähkötyökalusi huolella. Tarkista, että liikkuvat osat toimivat moitteettomasti, eivätkä ole**

puristuksessa sekä, että siinä ei ole murtuneita tai vahingoittuneita osia, jotka saattaisivat vaikuttaa haitallisesti sähkötyökalun toimintaan. Anna korjauttaa mahdolliset viat ennen käyttöönottoa. Momen tapaturman syyt löytyvät huonosti huolletuista laitteista.

- f) **Pidä leikkausterät terävinä ja puhtaina.** Huolellisesti hoidetut leikkaustyökalut, joiden leikkausreunat ovat teräviä, eivät tartu helposti kiinni ja niitä on helpompi hallita.
- g) **Käytä sähkötyökaluja, tarvikkeita, vaihtotyökaluja jne. näiden ohjeiden mukaisesti. Ota tällöin huomioon työolosuhteet ja suoritettava toimenpide.** Sähkötyökalun käyttö muuhun kuin sille määrättyyn käyttöön, saattaa johtaa vaarallisiin tilanteisiin.
- 5) **HUOLTO**
- a) **Anna koulutettujen ammattihenkilöiden korjata sähkötyökalusi ja hyväksy korjauksiin vain alkuperäisiä varaosia.** Täten varmistat, että sähkötyökalu säilyy turvallisena.

## TURVALLISUUSOHJEITA HÖYLIÄ VARTEN

### YLEISTÄ

- Tätä työkalua saavat käyttää vain 16 vuotta täyttäneet henkilöt
- Työskennellessä melutaso saattaa ylittää 85 dB(A); **jolloin suositellaan kuulosuojaimien käyttöä** ④
- Materiaaleista, kuten liijyypitoinen maali, jotkut puulajit, mineraalit ja metalli, tuleva pöly voi olla vahingollista (kosketuksiin joutuminen pölyn kanssa tai sen sisään hengittäminen voi aiheuttaa käyttäjälle tai sivustakatsojille allergiareaktioita ja/tai hengitysvaivoja); **käytä pölynaamaria** ⑤ **ja työskentele pölynpoistolaitteen kanssa, kun sellainen on liitettävissä**
- Tietäntyypiset pölyt on luokiteltu karsinogeenisiksi (kuten tammi- ja pyökkipöly) erityisesti puun käsittelyyn käytettävien lisäainesten yhteydessä; **käytä pölynaamaria** ⑤ **ja työskentele pölynpoistolaitteen kanssa, kun sellainen on liitettävissä**
- Noudata maakohtaisia pölyyn liittyviä sääntöjä
- SKIL pystyy takaamaan työkalun moitteettoman toiminnan vain, kun käytetään alkuperäisiä tarvikkeita
- Älä käytä työkalua, kun johto on vioitunut; vaan toimita se valtuutettuun huoltoliikkeeseen
- Irrota aina pistotulppa pistorasiasta, ennen kuin suoritat laitteelle mitään säätöjä tai vaihdat tarviketta**

### ENNEN KÄYTTÖÄ

- Tarkista aina, että syöttöjännite on sama kuin työkalun nimiltaan osoittama jännite (työkalut, joiden jännitetaso on 230V tai 240V, voidaan kytkeä myös 220V tason jännitteeseen)
- Vältä vaaralliset vahingot, jotka voivat aiheutua nauloista, ruuveista tai muista aineista työstettävässä materiaalissa; poista ne ennen työskentelyn aloittamista
- Ennen työkalun käyttämistä tarkista, että terät eivät ole kosketuksessa minkään kanssa
- Käytä täysin rullaamattomia ja turvallisia jatkejohtoja, joiden kapasiteetti on 16 ampeeria
- Tue työstettävä kappale tukevana tasoon puristimilla tai muulla käytännöllisellä tavalla** (kappaleen pitäminen käsin tai kehoa vasten on epävakasta ja voi aiheuttaa hallinnan menetyksen)

### KÄYTÖN AIKANA

- Pidä kiinni laitteen eristetyistä tartuntapinnoista, koska terä voi koskea laitteen johtoon** (jos jännitteinen johto vaurioituu, laitteen paljaisiin metalliosiin voi tulla jännite ja laitteen käyttäjä voi saada sähköiskun)
- Pidä johto aina poissa työkalun liikkuvien osien läheisyydestä; kohdista johto takaosaa kohti pois työkalusta
- Pidä sormet poissa pyöristä teristä
- Jos huomaat sähköisen tai mekaanisen vian, sammuta kone heti ja irrota liitosjohto pistorasiasta
- Jos sähköjohto vahingoittuu tai katkeaa työn aikana ei johtoa saa koskettaa, vaan pistotulppa on välittömästi irrotettava pistorasiasta
- Jos lastu jää kiinni lastunpoistoaukkoon, katkaise koneesta virta, varmista, että kaikki liikkuvat osat ovat pysähtyneet, irrota verkkajohto pistorasiasta ja poista juuttunut lastu

### KÄYTÖN JÄLKEEN

- Odot, kunnes teräpä pysähtyy ennen työkalun asettamista alas** (paljastettu terä voi tarttua pintaan, mikä voi aiheuttaa mahdollisen kontrollin menetyksen ja vakavan loukkaantumisen)

## KÄYTTÖ

- Terien vaihto/kääntäminen ⑥  
Tässä höylässä on hiertämättömät terät molemminpulsoisine leikkureunoineen; jos yksi puoli tylsistyy, voidaan käyttää toista puolta  
**! sammuta kone ja irrota pistoke pistorasiasta**
  - ota esille ruuviavain säilytyspaikasta A
  - käännä kone ylösalaisin
  - löysennä 3 pulttia B ruuviavaimella (älä irrota pultteja)
  - työnnä terä teräpästä puupalasella
  - asetä terä takaisin teräpäähän vastapäiväiseen asentoon tai käytä uutta terää
  - ! terän uran on vastattava teräpäen ulkonemaa**
  - ! molempien teräpäiden on työnnyttävä esille yhtäläisesti**
    - kiinnitä 3 pulttia B kunnolla ruuviavaimen avulla
  - ! vaihda/käännä terät tarvittaessa; käytä vain teräviä teriä**
  - ! vaihda/käännä molemmat terät aina samanaikaisesti**
  - ! älä yritä säätää teriä teräpäenruuvilla C, jotka on esiasetettu valmistusvaiheessa tehtaalla**
- Höyläsyvyvyyden säätäminen ⑦
  - käännä nuppia D "+" / "-"-suuntaan lisätäksesi / vähentääksesi höyläsyvyvyyttä
  - käytä osoitinta E viitteenä
  - valitse aina matala höyläsyvyvyys ja toista höyläys- ja säätöprosessi, kunnes on saatu haluttu syvyys
- Lastunpoisto ⑧
  - liitä pölynimuri ja sovitiin F lastunpoistoaukkoon G kuvan osoittamalla tavalla
  - ! älä yritä poistaa mahdollisia esteitä lastunpoistoaukosta terien pyöriessä**
- Työkalun käyttö
  - säädä höyläsyvyvyys
  - asetä kone työkappaleen päälle
  - ! varmista, että ainoastaan etukenkä asetettu työkappaleelle ja että terät eivät kosketa sitä**

- kytke virta työkaluun painamalla ensin nuppia H ② (= turvakytkin, jota ei voida lukita) ja sen jälkeen painamalla kytkimestä J ②
- ! **työkalun on ajettava täydellä nopeudella ennen terien ulottumista työkappaleeseen**
- ! **pidä työkalusta kiinni aina työskentelyn aikana harmaan värisestä kädensija(oista) ⑨**
- pidä työkalusta kiinni tukevasti molemmin käsin ja ohjaa sitä eteenpäin jatkuvalla iskulla
- käytä työkalua sen aluslaatan ollessa työkappaleella
- älä kallista työkalua höyläysmerkkien välttämiseksi
- ! **ennen koneen sammuttamista se tulee nostaa irti työkappaleesta**
- sammuta työkalusta vapauttamalla kytkimestä J

## VINKKEJÄ

- Käytä särmien viistämiseen pohjalevyn etuosan V-urin ⑩
- säädä nuppi D "0"-asentoon viistääksesi särmit uran mukaisesti
- jos haluat suuremmat urat, käännä nuppia D valitaksesi tarvittavan höyläysvyyvyyden
- ! **testaa ensin kappaleella**
- Lisävinkkejä on tarjolla web-osoitteessa [www.skil.com](http://www.skil.com)

## HOITO / HUOLTO

- Tätä työkalua ei ole tarkoitettu ammattikäyttöön
- Pidä työkalu ja johto puhtaina (varmista erityisesti ilma-  
aukkojen puhtaus L ②)
- ! **irrota liitosjohto aina puhdistuksen ajaksi pistorasiasta**
- Jos sähkötyökalussa, huolellisesta valmistuksesta ja koestusmenettelystä huolimatta esiintyy vikaa, tulee korjaus antaa SKIL sopimushuollon tehtäväksi
- toimita työkalu sitä osiin **purkamatta** lähimpään SKIL-huoltoon (osoitteet ja työkalun huoltokaava ovat tarjolla web-osoitteessa [www.skil.com](http://www.skil.com)) ostotodiste mukaan liitettynä

## YMPÄRISTÖNSUOJELU

- **Älä hävitä sähkötyökalua, tarvikkeita tai pakkausta tavallisen kotitalousjätteen mukana** (koskee vain EU-maita)
- vanhoja sähkö- ja elektroniikkalaitteita koskevan EU-direktiivin 2002/96/ETY ja sen maakohtaisten sovellusten mukaisesti käytetyt sähkötyökalut on toimitettava ongelmajätteen keräyspisteeseen ja ohjattava ympäristöstävälliseen kierrätykseen
- symboli ⑪ muistuttaa tästä, kun käytöstä poisto tulee ajankohtaiseksi

## CE-VAAITUMUSTEN- MUKAISUUSVAKUUTUS

- Todistamme täten ja vastaamme yksin siitä, että tämä tuote on allalueteltujen standardien ja standardoimisasiakirjojen vaatimusten mukainen EN 60745, EN 61000, EN 55014, seuraavien sääntöjen mukaisesti 2004/108/EY, 2006/42/EY, 2011/65/EU
- **Tekninen tiedosto kohdasta:** SKIL Europe BV (PT-SEU/ENG1), 4825 BD Breda, NL

Marijn van der Hoofden Olaf Dijkgraaf  
Operations & Engineering Approvals Manager




SKIL Europe BV, 4825 BD Breda, NL  
27.06.2013

## MELU/TÄRINÄ

- Mitattuna EN 60745 mukaan työkalun melutaso on 90 dB(A) ja yleensä työkalun äänen voimakkuus on 101 dB(A) (keskihajonta: 3 dB), ja tärinän voimakkuus 5,1 m/s<sup>2</sup> (käsi-käsiavarsi metodi; epävarmuus K = 1,5 m/s<sup>2</sup>)
- Tärinäsäteilytaso on mitattu standardin EN 60745 mukaisen standarditestin mukaisesti; sitä voidaan käyttää verrattaessa yhtä laitetta toiseen sekä alustavana tärinälle altistumisen arviona käytettäessä laitetta manituissa käyttötarkoituksissa
- laitteen käyttö eri käyttötarkoituksiin tai erilaisten tai huonosti ylläpidettyjen lisälaitteiden kanssa voi **lisätä** merkittävästi altistumistasoa
- laitteen ollessa sammuksissa tai kun se on käynnissä, mutta sillä ei tehdä työtä, altistumistaso voi olla huomattavasti **pienempi**
- ! **suojaudu tärinän vaikutuksilta ylläpitämällä laite ja sen lisävarusteet, pitämällä kädet lämpiminä ja järjestämällä työmenetelmät**

E

## Cepillo

1558

## INTRODUCCIÓN

- Esta herramienta está diseñada para cepillar piezas de madera como vigas y tablas; también es adecuada para achaflanar bordes
- Esta herramienta no está concebida para uso profesional
- Lea y conserve este manual de instrucciones ③

## CARACTERÍSTICAS TÉCNICAS ①

## ELEMENTOS DE LA HERRAMIENTA ②

- A Alojamiento para la llave
- B Perno de sujeción
- C Tornillos del bloque cortador
- D Botón de ajuste de profundidad de cepillado
- E Indicador de profundidad de cepillado
- F Adaptador para aspirador
- G Salida de virutas

- H Interruptor de seguridad
- J Interruptor de activación/desactivación
- K Ranura en V
- L Ranuras de ventilación

## SEGURIDAD

### INSTRUCCIONES GENERALES DE SEGURIDAD

**⚠ ¡ATENCIÓN!** Lea íntegramente estas advertencias de peligro e instrucciones. En caso de no atenderse a las advertencias de peligro e instrucciones siguientes, ello puede ocasionar una descarga eléctrica, un incendio y/o lesión grave. **Guardar todas las advertencias de peligro e instrucciones para futuras consultas.** El término "herramienta eléctrica" empleado en las siguientes advertencias de peligro se refiere a herramientas eléctricas de conexión a la red (con cable de red) y a herramientas eléctricas accionadas por acumulador (o sea, sin cable de red).

#### 1) SEGURIDAD DEL PUESTO DE TRABAJO

- a) **Mantenga limpia y bien iluminada su área de trabajo.** El desorden o una iluminación deficiente en las áreas de trabajo pueden provocar accidentes.
- b) **No utilice la herramienta eléctrica en un entorno con peligro de explosión, en el que se encuentren combustibles líquidos, gases o material en polvo.** Las herramientas eléctricas producen chispas que pueden llegar a inflamar los materiales en polvo o vapores.
- c) **Mantenga alejados a los niños y otras personas de su área de trabajo al emplear la herramienta eléctrica.** Una distracción le puede hacer perder el control sobre la herramienta.

#### 2) SEGURIDAD ELÉCTRICA

- a) **El enchufe de la herramienta debe corresponder a la toma de corriente utilizada. No es admisible modificar el enchufe en forma alguna. No emplear adaptadores en herramientas dotadas con una toma de tierra.** Los enchufes sin modificar adecuados a las respectivas tomas de corriente reducen el riesgo de una descarga eléctrica.
- b) **Evite que su cuerpo toque partes conectadas a tierra como tuberías, radiadores, cocinas y refrigeradores.** El riesgo a quedar expuesto a una descarga eléctrica es mayor si su cuerpo tiene contacto con tomas de tierra.
- c) **No exponga las herramientas eléctricas a la lluvia o a condiciones de humedad.** Existe el peligro de recibir una descarga eléctrica si penetran líquidos en la herramienta.
- d) **No utilice el cable de red para transportar o colgar la herramienta, ni tire de él para sacar el enchufe de la toma de corriente. Mantenga el cable de red alejado del calor, aceite, esquinas cortantes o piezas móviles.** Los cables de red dañados o enredados pueden provocar una descarga eléctrica.
- e) **Al trabajar con la herramienta eléctrica en la intemperie utilice solamente cables de prolongación homologados para su uso en exteriores.** La utilización de un cable de prolongación adecuado para su uso en exteriores reduce el riesgo de una descarga eléctrica.

- f) **Si el funcionamiento de una herramienta eléctrica en un lugar húmedo fuese inevitable, utilice un cortacircuito de fuga a tierra.** El uso de un cortacircuito de fuga a tierra reduce el riesgo de descarga eléctrica.
- #### 3) SEGURIDAD DE PERSONAS
- a) **Esté atento y emplee la herramienta con prudencia. No utilice la herramienta eléctrica si estuviese cansado, ni bajo los efectos de alcohol, drogas o medicamentos.** El no estar atento durante el uso de una herramienta eléctrica puede provocar serias lesiones.
  - b) **Utilice un equipo de protección personal y en todo caso unas gafas de protección.** El riesgo a lesionarse se reduce considerablemente si, dependiendo del tipo y la aplicación de la herramienta eléctrica empleada, se utiliza un equipo de protección adecuado como una mascarilla antipolvo, zapatos de seguridad con suela antideslizante, casco, o protectores auditivos.
  - c) **Evite una puesta en marcha fortuita. Asegurarse de que la herramienta eléctrica esté desconectada antes de conectarla a la toma de corriente y/o al montar el acumulador, al recogerla, y al transportarla.** Si transporta la herramienta eléctrica sujetándola por el interruptor de conexión/desconexión, o si introduce el enchufe en la toma de corriente con la herramienta eléctrica conectada, ello puede dar lugar a un accidente.
  - d) **Retire las herramientas de ajuste o llaves fijas antes de conectar la herramienta eléctrica.** Una herramienta o llave colocada en una pieza rotativa puede producir lesiones graves al accionar la herramienta eléctrica.
  - e) **Sea precavido. Trabaje sobre una base firme y mantenga el equilibrio en todo momento.** Ello le permitirá controlar mejor la herramienta eléctrica en caso de presentarse una situación inesperada.
  - f) **Lleve puesta una vestimenta de trabajo adecuada. No utilice vestimenta amplia ni joyas. Mantenga su pelo, vestimenta y guantes alejados de las piezas móviles.** La vestimenta suelta, las joyas y el pelo largo se pueden enganchar con las piezas en movimiento.
  - g) **Siempre que sea posible utilizar equipos de aspiración o captación de polvo, asegúrese que éstos estén montados y que sean utilizados correctamente.** El empleo de estos equipos reduce los riesgos derivados del polvo.
- #### 4) CUIDADO Y UTILIZACIÓN DE HERRAMIENTAS ELÉCTRICAS
- a) **No sobrecargue la herramienta. Use la herramienta prevista para el trabajo a realizar.** Con la herramienta adecuada podrá trabajar mejor y con mayor seguridad dentro del margen de potencia indicado.
  - b) **No utilice herramientas con un interruptor defectuoso.** Las herramientas que no se puedan conectar o desconectar son peligrosas y deben repararse.
  - c) **Saque el enchufe de la red y/o desmonte el acumulador antes de realizar un ajuste en la herramienta eléctrica, cambiar de accesorio o al guardar la herramienta eléctrica.** Esta medida preventiva reduce el riesgo de conectar accidentalmente la herramienta.

- d) **Guarde las herramientas fuera del alcance de los niños y de las personas que no estén familiarizadas con su uso.** Las herramientas utilizadas por personas inexpertas son peligrosas.
  - e) **Cuide sus herramientas con esmero. Controle si funcionan correctamente, sin atascarse, las partes móviles de la herramienta, y si existen partes rotas o deterioradas que pudieran afectar al funcionamiento de la herramienta. Si la herramienta eléctrica estuviese defectuosa haga repararla antes de volver a utilizarla.** Muchos de los accidentes se deben a herramientas con un mantenimiento deficiente.
  - f) **Mantenga los útiles limpios y afilados.** Los útiles mantenidos correctamente se dejan guiar y controlar mejor.
  - g) **Utilice herramientas eléctricas, accesorios, útiles, etc. de acuerdo con estas instrucciones, teniendo en cuenta las condiciones de trabajo y la tarea a realizar.** El uso de herramientas eléctricas para trabajos diferentes de aquellos para los que han sido concebidas puede resultar peligroso.
- 5) SERVICIO**
- a) **Únicamente haga reparar su herramienta eléctrica por un profesional, empleando exclusivamente piezas de repuesto originales.** Solamente así se mantiene la seguridad de la herramienta eléctrica.

## INSTRUCCIONES DE SEGURIDAD PARA CEPILLOS

### GENERAL

- Esta herramienta no debe utilizarse por personas menores de 16 años
- El nivel de ruido, con la herramienta trabajando, podrá sobrepasar 85 dB(A); **usar protectores auditivos** ④
- El polvo del material, como por ejemplo la pintura que contiene plomo, algunas especies de madera, minerales y metal podrían ser dañinos (el contacto o inhalación del polvo podría producir reacciones alérgicas y/o trastornos respiratorios al operador u otras personas cerca); **utilice una máscara contra el polvo** ⑤ **y trabaje con un dispositivo de extracción de polvo cuando lo conecte**
- Ciertos tipos de polvo están catalogados como cancerígenos (por ejemplo el polvo de roble y de haya) especialmente junto con aditivos para el acondicionamiento de la madera; **utilice una máscara contra el polvo** ⑤ **y trabaje con un dispositivo de extracción de polvo cuando lo conecte**
- Siga la normativa nacional en cuanto a extracción de polvo, en función de los materiales que vayan a ser utilizados
- SKIL únicamente puede garantizar un funcionamiento correcto de la herramienta al emplear accesorios originales
- No utilizar la herramienta cuando el cable esté dañado; hágalo cambiar por una persona calificada
- **Desenchufar siempre la herramienta antes de realizar cualquier ajuste o cambiar algún accesorio**

### ANTES DEL USO

- Compruebe siempre que la tensión de alimentación es la misma que la indicada en la placa de características de la herramienta (las herramientas de 230V o 240V pueden conectarse también a 220V)

- Evite los daños que puedan causar los tornillos, clavos y otros objetos sobre la pieza de trabajo; retírelos antes de empezar a trabajar
- Antes de utilizar la herramienta, compruebe que las cuchillas no froten con nada
- Utilice cables de extensión seguros y completamente desenrollados con una capacidad de 16 amperios
- **Utilice abrazaderas u otro sistema práctico para asegurar y soportar la pieza de trabajo en una plataforma estable** (si la sujeta con la mano o contra el cuerpo, queda inestable y puede perder el control sobre ella)

### DURANTE EL USO

- **Sujete la herramienta por las superficies de agarre aisladas, ya que es posible que la cuchilla haga contacto con su propio cable de alimentación** (cortar un cable bajo tensión también puede conectar las partes metálicas expuestas de la herramienta, con el consiguiente riesgo de sacudida eléctrica al operario)
- Mantenga siempre el cable lejos de las partes móviles de la herramienta; mantenga el cable detrás de usted, lejos de la herramienta
- Mantenga los dedos apartados de las cuchillas giratorias
- En el caso de que se produjera un mal funcionamiento eléctrico o mecánico, apague inmediatamente la herramienta y desconecte el enchufe
- Si llega a dañarse o cortarse el cable eléctrico durante el trabajo, no tocar el cable, sino extraer inmediatamente el enchufe de la red
- Si queda alguna viruta atascada en la salida de virutas, debe desconectar el motor y, tras asegurarse de que todas las piezas móviles se han detenido completamente, desconectar el enchufe y retirar la viruta atascada

### DESPUÉS DEL USO

- **Espera a que el bloque cortador pare antes de colocar la herramienta sobre una superficie** (una cuchilla expuesta puede engancharse en la superficie, causando la posibilidad de pérdida de control y lesiones graves)

## USO

- Cambio/inversión de las cuchillas ⑥
- Este cepillo está equipado con cuchillas no afilables con filos cortantes en ambos lados; por lo tanto, si un lado se embota, puede utilizarse en el otro
- **! pare la herramienta y desenchúfela**
  - tome la llave del alojamiento A
  - voltee la herramienta al revés
  - afloje 3 pernos B con la llave (no retire los pernos)
  - retire la cuchilla del bloque cortador empujándola con un trozo de madera
  - vuelva a colocar la cuchilla en el bloque cortador en posición invertida o utilice una nueva cuchilla
- **! la muesca de la cuchilla debe corresponder al borde del bloque cortador**
- **! ambos extremos de la cuchilla deben sobresalir igualmente**
  - apriete firmemente 3 pernos B con la llave
- **! cambie/invierta las cuchillas al mismo tiempo; utilice solamente cuchillas afiladas**
- **! cambie/invierta siempre las cuchillas al mismo tiempo**

**! no intente ajustar las cuchillas con los tornillos del bloque cortador C, que se preajustan durante la fabricación**

- Ajustando la profundidad de cepillado ⑦
  - gire el mando D en sentido "+"/"-" para aumentar o reducir la profundidad de cepillado
  - utilice el indicador E como referencia
  - seleccione siempre una profundidad de cepillado pequeña y repita el cepillado y el proceso de ajuste hasta alcanzar la profundidad requerida
- Salida de virutas ⑧
  - conecte la aspiradora con el adaptador F a la salida de virutas G como indica la ilustración

**! no intente retirar las obstrucciones de la salida de virutas mientras la cuchillas están girando**

- Utilización de la herramienta
  - ajuste la profundidad de cepillado
  - coloque la herramienta sobre la pieza de trabajo
- ! asegúrese de que solamente la zapata delantera descansa en la pieza de trabajo y que las cuchillas no la toquen**
  - active la herramienta primero apretando el botón H ② (= interruptor de seguridad que no puede bloquearse) y después tirando del gatillo J ②

**! antes de que las cuchillas toquen la pieza de trabajo, la herramienta debe funcionar a velocidad máxima**

**! durante el trabajo, sujete siempre la herramienta por la(s) zona(s) de empuñadura de color gris ⑨**

- sujete la herramienta firmemente con ambas manos y guíela hacia delante en una pasada continua
- utilice la herramienta con su placa base en la pieza de trabajo
- no incline la herramienta, para evitar marcas de cepillado no deseadas

**! antes de desactivar la herramienta, debe retirarla de la pieza de trabajo**

- desactive la herramienta soltando el gatillo J

## CONSEJOS DE APLICACIÓN

- Para achaflanar bordes, utilice la ranura en V de la zapata delantera ⑩
  - lleve el mando D a la posición "0" para achaflanar bordes similares a la ranura
  - para ranuras mayores, gire el botón D para seleccionar la profundidad de cepillado requerida
- ! pruebe siempre con un trozo de material de descarte**
- Para más consejos vea [www.skil.com](http://www.skil.com)

## MANTENIMIENTO / SERVICIO

- Esta herramienta no está concebida para uso profesional
- Mantenga limpio el cable eléctrico y la herramienta (sobre todo las ranuras de ventilación L ②)
  - ! desenchufar la herramienta antes de limpiar**
- Si a pesar de los esmerados procesos de fabricación y control, la herramienta llegase a averiarse, la reparación deberá encargarse a un servicio técnico autorizado para herramientas eléctricas SKIL
  - envíe la herramienta **sin desmontar** junto con una prueba de su compra a su distribuidor o a la estación

de servicio más cercana de SKIL (los nombres así como el despiece de piezas de la herramienta figuran en [www.skil.com](http://www.skil.com))

## AMBIENTE


- **No deseche las herramientas eléctricas, los accesorios y embalajes junto con los residuos domésticos** (sólo para países de la Unión Europea)
  - de conformidad con la Directiva Europea 2002/96/CE sobre residuos de aparatos eléctricos y electrónicos y su aplicación de acuerdo con la legislación nacional, las herramientas eléctricas cuya vida útil haya llegado a su fin se deberán recoger por separado y trasladar a una planta de reciclaje que cumpla con las exigencias ecológicas
  - símbolo ⑪ llamará su atención en caso de necesidad de tirarlas

## DECLARACIÓN DE CONFORMIDAD CE

- Declaramos bajo nuestra sola responsabilidad que este producto está en conformidad con las normas o documentos normalizados siguientes: EN 60745, EN 61000, EN 55014, de acuerdo con las regulaciones 2004/108/CE, 2006/42/CE, 2011/65/UE
- **Expediente técnico en:** SKIL Europe BV (PT-SEU/ENG1), 4825 BD Breda, NL

Marijn van der Hoofden  
Operations & Engineering

Olaf Dijkgraaf  
Approvals Manager

  
SKIL Europe BV, 4825 BD Breda, NL  
27.06.2013

## RUIDOS/VIBRACIONES

- Medido según EN 60745 el nivel de la presión acústica de esta herramienta se eleva a 90 dB(A) y el nivel de la potencia acústica a 101 dB(A) (desviación estándar: 3 dB), y la vibración a 5,1 m/s<sup>2</sup> (método brazo-mano; incertidumbre K = 1,5 m/s<sup>2</sup>)
- El nivel de emisión de vibraciones ha sido medido según una prueba estándar proporcionada en EN 60745; puede utilizarse para comparar una herramienta con otra y como valoración preliminar de la exposición a las vibraciones al utilizar la herramienta con las aplicaciones mencionadas
  - al utilizarla para distintas aplicaciones o con accesorios diferentes o con un mantenimiento deficiente, podría **aumentar** de forma notable el nivel de exposición
  - en las ocasiones en que se apaga la herramienta o cuando está funcionando pero no está realizando ningún trabajo, se podría **reducir** el nivel de exposición de forma importante
- ! protéjase contra los efectos de la vibración realizando el mantenimiento de la herramienta y sus accesorios, manteniendo sus manos calientes y organizando sus patrones de trabajo**



## INTRODUÇÃO

- Esta ferramenta é determinada para aplainar materiais de madeira como vigas e tábuas; ele é apropriada para chanfrar cantos
- Esta ferramenta não se destina a utilização profissional
- Leia e guarde este manual de instruções ③

## ESPECIFICAÇÕES TÉCNICAS ①

## ELEMENTOS DA FERRAMENTA ②

- A Alojamento da chave
- B Porca de fixação
- C Parafusos do bloco de corte
- D Botão para ajustar a profundidade de aplainamento
- E Indicador de profundidade de aplainamento
- F Adaptador para aspirador
- G Saída de pedaços
- H Interruptor de segurança
- J Interruptor para ligar/desligar
- K Ranhura em V
- L Aberturas de ventilação

## SEGURANÇA

### INSTRUÇÕES GERAIS DE SEGURANÇA

**⚠ ATENÇÃO!** Devem ser lidas todas as indicações de advertência e todas as instruções. O desrespeito das advertências e instruções apresentadas abaixo pode causar choque eléctrico, incêndio e/ou graves lesões.

**Guarde bem todas as advertências e instruções para futura referência.** O termo "ferramenta eléctrica" utilizado a seguir nas indicações de advertência, refere-se a ferramentas eléctricas operadas com corrente de rede (com cabo de rede) e a ferramentas eléctricas operadas com acumulador (sem cabo de rede).

#### 1) SEGURANÇA DA ÁREA DE TRABALHO

- a) **Mantenha a sua área de trabalho limpa e arrumada.** Desordem ou áreas de trabalho com fraca iluminação podem causar acidentes.
- b) **Não trabalhar com a ferramenta eléctrica em áreas com risco de explosão, nas quais se encontrem líquidos, gases ou pós inflamáveis.** Ferramentas eléctricas produzem faíscas que podem provocar a ignição de pó e vapores.
- c) **Mantenha crianças e outras pessoas afastadas da ferramenta eléctrica durante o trabalho com a ferramenta.** Distrações podem causar a falta de controle sobre o aparelho.

#### 2) SEGURANÇA ELÉCTRICA

- a) **A ficha das ferramentas eléctricas devem caber na tomada. A ficha não deve ser modificada de modo algum. Não utilize quaisquer fichas de adaptação junto com ferramentas eléctricas ligadas à terra.** Fichas sem modificações e tomadas adequadas reduzem o risco de choques eléctricos.

- b) **Evite que o corpo entre em contacto com superfícies ligadas à terra, como por exemplo tubos, radiadores, fogões e geladeiras.** Há um risco elevado de choques eléctricos, caso o corpo for ligado à terra.
- c) **A ferramenta eléctrica não deve ser exposta à chuva nem humidade.** A penetração de água na ferramenta eléctrica aumenta o risco de choques eléctricos.
- d) **O cabo do aparelho não deve ser utilizado para o transporte, para pendurar o aparelho, nem para puxar a ficha da tomada. Mantenha o cabo afastado de calor, óleo, cantos afiados ou partes em movimento do aparelho.** Cabos danificados ou torcidos aumentam o risco de choques eléctricos.
- e) **Ao trabalhar com a ferramenta eléctrica ao ar livre, use um cabo de extensão apropriado para áreas externas.** O uso de um cabo apropriado para áreas externas reduz o risco de choques eléctricos.
- f) **Se não for possível evitar o funcionamento da ferramenta eléctrica em áreas húmidas, deverá ser utilizado um disjuntor de corrente de avaria.** A utilização de um disjuntor de corrente de avaria reduz o risco de um choque eléctrico.

#### 3) SEGURANÇA DE PESSOAS

- a) **Esteja alerta, observe o que está a fazer, e tenha prudência ao trabalhar com a ferramenta eléctrica. Não use a ferramenta eléctrica se estiver fatigado ou sob a influência de drogas, álcool ou medicamentos.** Um momento de falta de atenção durante a operação da ferramenta eléctrica pode causar graves lesões.
- b) **Utilizar equipamento de protecção pessoal e sempre óculos de protecção.** A utilização de equipamento de protecção pessoal, como máscara de protecção contra pó, sapatos de segurança antiderrapantes, capacete de segurança ou protecção auricular, de acordo com o tipo e aplicação da ferramenta eléctrica, reduz o risco de lesões.
- c) **Evitar uma colocação em funcionamento involuntária. Assegure-se de que a ferramenta eléctrica esteja desligada, antes de conectá-la à alimentação de rede e/ou ao acumulador, antes de levantá-la ou de transportá-la.** Se tiver o dedo no interruptor ao transportar a ferramenta eléctrica ou se o aparelho for conectado à alimentação de rede enquanto estiver ligado, poderão ocorrer acidentes.
- d) **Remover chaves de ajustes ou chaves de fenda, antes de ligar a ferramenta eléctrica.** Uma chave de fenda ou chave de ajuste que se encontre numa parte móvel do aparelho, pode levar a lesões.
- e) **Não se sobrestime. Mantenha uma posição firme e mantenha sempre o equilíbrio.** Desta forma poderá ser mais fácil controlar o aparelho em situações inesperadas.
- f) **Use roupa apropriada. Não use roupa larga ou jóias. Mantenha o cabelo, roupa e luvas afastadas de partes em movimento.** Roupas largas, jóias ou cabelos longos podem ser agarradas por partes em movimento.
- g) **Se for prevista a montagem de dispositivos de aspiração de pó e de dispositivos de recolha, assegure-se de que estão conectados e que sejam**



**utilizados de forma correcta.** A utilização de uma aspiração de pó pode reduzir o perigo devido ao pó.

#### 4) USO E TRATAMENTO DE FERRAMENTAS ELÉCTRICAS

- a) **Não sobrecarregue a ferramenta eléctrica. Use para o seu trabalho a ferramenta eléctrica correcta.** A ferramenta correcta realizará o trabalho de forma melhor e mais segura dentro da faixa de potência indicada.
  - b) **Não utilize a ferramenta eléctrica se o interruptor não puder ser ligado nem desligado.** Qualquer ferramenta eléctrica que não possa ser controlada através do interruptor de ligar-desligar, é perigosa e deve ser reparada.
  - c) **Puxar a ficha da tomada e/ou remover o acumulador antes de executar ajustes na ferramenta, de substituir acessórios ou de guardar a ferramenta.** Esta medida de segurança evita que a ferramenta eléctrica seja ligada acidentalmente.
  - d) **Guarde ferramentas eléctricas que não estiverem sendo utilizadas, for a do alcance de crianças. Não permita que o aparelho seja utilizado por pessoas não familiarizadas com o mesmo ou que não tenham lido estas instruções.** Ferramentas eléctricas são perigosas nas mãos de pessoas sem treinamento.
  - e) **Trate a sua ferramenta eléctrica com cuidado. Verifique se as partes móveis do aparelho funcionam perfeitamente e não emperram, se há peças quebradas ou danificadas, que possam influenciar o funcionamento do aparelho. Peças danificadas devem ser reparadas antes da utilização do aparelho.** Muitos acidentes tem como causa uma manutenção insuficiente das ferramentas eléctricas.
  - f) **Mantenha as ferramentas de corte sempre afiadas e limpas.** Ferramentas de cortes devidamente tratadas, com cantos afiados travam com menos frequência e podem ser controladas com maior facilidade.
  - g) **Use a ferramenta eléctrica, os acessórios os bits da ferramenta etc., de acordo com estas instruções. Considere também as condições de trabalho e o trabalho a ser efectuado.** A utilização da ferramenta eléctrica para outros fins que os previstos, pode resultar em situações perigosas.
- #### 5) SERVIÇO
- a) **A sua ferramenta eléctrica só deve ser reparada por pessoal qualificado e só devem ser colocadas peças sobressalentes originais.** Desta forma é assegurada a segurança da ferramenta eléctrica.

### INSTRUÇÕES DE SEGURANÇA PARA PLAINAS

#### GENERAL

- Esta ferramenta não deve ser utilizada por pessoas menores de 16 anos
- O nível de ruído durante o trabalho pode exceder 85 dB(A); **utilize protectores auriculares** (4)
- O pó do material, como tinta com chumbo, algumas espécies de madeira, minerais e metais, pode ser prejudicial (contacto ou inalação do pó pode provocar reacções alérgicas e/ou doenças respiratórias ao operador ou às pessoas presentes); **use máscara respiratória** (5) e **trabalhe com um dispositivo de extracção de pó quando ligado a**

- Determinados tipos de pó são classificados como substâncias cancerígenas (como pó de carvalho e faia), em especial, juntamente com aditivos para acondicionamento da madeira; **use máscara respiratória** (5) e **trabalhe com um dispositivo de extracção de pó quando ligado a**
- Siga o regulamento nacional quanto a extração de pó, em função dos materiais que vão ser utilizados
- A SKIL só pode garantir um funcionamento perfeito da ferramenta, quando utilizada com os acessórios originais
- Não utilizar ferramenta caso o fio esteja danificado; mandando-o substituir por pessoal qualificado
- **Desligue sempre a ficha da tomada antes de proceder a qualquer ajustamento ou troca de acessório**

#### ANTES DA UTILIZAÇÃO

- Certifique-se sempre de que a tensão de alimentação está de acordo com a tensão indicada na placa de identificação da ferramenta (ferramentas com a indicação de 230V ou 240V também podem ser ligadas a uma fonte de 220V)
- Evite danificar a ferramenta em superfícies com pregos ou parafusos; remova-os antes de começar a trabalhar
- Antes de usar a ferramenta, certifique-se de que as lâminas não estão a tocar em lado nenhum
- Utilize extensões completamente desenroladas e seguras, com uma capacidade de 16 Amp
- **Utilize os grampos ou outra forma prática para apoiar e fixar a peça de trabalho numa plataforma estável** (segurar o trabalho com a mão ou contra o corpo deixa a peça instável e pode provocar a perda de controlo)

#### DURANTE A UTILIZAÇÃO

- **Segure a ferramenta eléctrica pelas superfícies de fixação, porque o cortador pode contactar com o cabo** (o corte de um fio "eléctrico" pode expor as peças metálicas da ferramenta eléctrica e pode originar um choque eléctrico no operador)
- Mantenha sempre o fio afastado das peças rotativas da ferramenta; coloque o fio para trás, fora do alcance da ferramenta
- Mantenha os dedos afastados das lâminas em rotação
- Em caso de anomalias eléctricas ou mecânicas, desligue imediatamente a ferramenta e tire a ficha da tomada
- Caso o fio for danificado ou cortado durante o trabalho, não toque no fio, mas tire imediatamente a ficha da tomada
- Se ficar qualquer aparas presa na saída de aparas, tem que desligar o motor, certificar-se de que todas as peças móveis estão completamente paradas, desligar a ficha e retirar as aparas que estão presas

#### APÓS A UTILIZAÇÃO

- **Aguarde que o bloco de corte páre antes de descansar a ferramenta** (uma lâmina exposta pode prender na superfície e levar a possível perda de controlo e lesão grave)

### MANUSEAMENTO

- Mudar/inverter as lâminas (6)  
Esta plaina está equipada com lâminas não afiáveis com gumes de ambos os lados; por isso, se um dos lados estiver rombo, pode ser usado o outro lado

### ! desligue a ferramenta e retire a ficha da tomada

- retire a chave do alojamento A
- volte a ferramenta ao contrário
- desaperte as três porcas B com a chave (não retire as porcas)
- empurre a lâmina para fora do bloco de corte com um pedaço de madeira
- volte a colocar a lâmina no bloco de corte voltada do outro lado, ou use uma lâmina nova

### ! a ranhura da lâmina deve encaixar na saliência do bloco de corte

### ! as extremidades da lâmina devem ficar com o mesmo comprimento a sair de ambos os lados

- aperte com firmeza as 3 porcas B utilizando a chave

### ! mude/inverta as lâminas na devida altura; use apenas lâminas afiadas

### ! mude/inverta sempre ambas as lâminas ao mesmo tempo

### ! não tente ajustar as lâminas com os parafusos do bloco de corte C, que vêm pré-ajustados de fábrica

- Ajustar a profundidade de aplainamento ⑦
  - rode o botão D na direcção "+"/"-" para aumentar/reduzir a profundidade de aplainamento
  - use o indicador E como referência
  - seleccione sempre uma pequena profundidade de aplainamento e repita o processo de aplainamento e ajuste até atingir a profundidade desejada
- Saída de pedaços ⑧
  - ligue o aspirador com o adaptador F à saída de pedaços G conforme ilustrado
  - ! não tente remover nenhuma obstrução da saída de pedaços enquanto as lâminas estiverem a rodar
- Utilização da ferramenta
  - ajuste a profundidade de aplainamento
  - coloque a ferramenta na peça a trabalhar
  - ! certifique-se de que apenas a chumaceira dianteira fica a assentar na peça de trabalho e que as lâminas não tocam na peça
  - ligue a ferramenta premindo primeiro o botão H ② (= interruptor de segurança que não pode ser travado) e depois apertando o gatilho J ②
  - ! a ferramenta deve funcionar a toda a velocidade antes de as lâminas tocarem na peça de trabalho
  - ! durante o trabalho, segure sempre a ferramenta na(s) área(s) de fixação cinzenta(s) ⑨
    - segure bem a ferramenta com ambas as mãos e guie-a para a frente com um movimento contínuo
    - use a ferramenta com a respectiva base na peça de trabalho
    - não incline a ferramenta para evitar marcas de aplainamento indesejadas
  - ! antes de desligar a ferramenta, deve levantá-la da peça de trabalho
  - desligue a ferramenta soltando o gatilho J

## CONSELHOS DE APLICAÇÃO

- Para chanfrar cantos, utilize a ranhura em V na chumaceira dianteira ⑩
  - rode o botão D para a posição "0" para chanfrar extremidades similares à ranhura

- para ranhuras maiores, rode o botão D para seleccionar a profundidade de aplainamento necessária

### ! experimente sempre primeiro num pedaço de material

- Para mais sugestões consulte [www.skil.com](http://www.skil.com)

## MANUTENÇÃO / SERVIÇO

- Esta ferramenta não se destina a utilização profissional
- Mantenha a ferramenta e o fio sempre limpos (especialmente as ranhuras de respiração L ②)
  - ! desligar a ferramenta da fonte de corrente antes de limpar
- Se a ferramenta falhar apesar de cuidadosos processos de fabricação e de teste, a reparação deverá ser executada por uma oficina de serviço autorizada para ferramentas eléctricas SKIL
  - envie a ferramenta **sem desmontar**, juntamente com a prova de compra, para o seu revendedor ou para o centro de assistência SKIL mais próximo (os endereços assim como a mapa de peças da ferramenta estão mencionados no [www.skil.com](http://www.skil.com))

## AMBIENTE

- Não deite ferramentas eléctricas, acessórios e embalagem no lixo doméstico (apenas para países da UE)
  - de acordo com a directiva europeia 2002/96/CE sobre ferramentas eléctricas e electrónicas usadas e a transposição para as leis nacionais, as ferramentas eléctricas usadas devem ser recolhidas em separado e encaminhadas a uma instalação de reciclagem dos materiais ecológica
  - símbolo ⑪ lhe avisará em caso de necessidade de arranja-las

## DECLARAÇÃO DE CONFORMIDADE CE

- Declaramos sob nossa exclusiva responsabilidade que este producto cumpre as seguintes normas ou documentos normativos: EN 60745, EN 61000, EN 55014, conforme as disposições das directivas 2004/108/CE, 2006/42/CE, 2011/65/UE
- Processo técnico em: SKIL Europe BV (PT-SEU/ENG1), 4825 BD Breda, NL

Marijn van der Hoofden  
Operations & Engineering

Olaf Dijkgraaf  
Approvals Manager

SKIL Europe BV, 4825 BD Breda, NL

27.06.2013

## RUÍDO/VIBRAÇÕES

- Medido segundo EN 60745 o nível de pressão acústica desta ferramenta é 90 dB(A) e o nível de potência acústica 101 dB(A) (espaço de erro: 3 dB), e a vibração 5,1 m/s<sup>2</sup> (método braço-mão; incerteza K = 1,5 m/s<sup>2</sup>)
- O nível de emissão de vibrações foi medido de acordo com um teste normalizado fornecido na EN 60745; pode ser utilizado para comparar uma ferramenta com outra e

como uma avaliação preliminar de exposição à vibração quando utilizar a ferramenta para as aplicações mencionadas

- utilizar a ferramenta para diferentes aplicações ou com acessórios diferentes ou mantidos deficientemente, pode **umentar** significativamente o nível de exposição

- o número de vezes que a ferramenta é desligada ou quando estiver a trabalhar sem fazer nada, pode **reduzir** significativamente o nível de exposição

**! proteja-se contra os efeitos da vibração, mantendo a ferramenta e os acessórios, mantendo as mãos quentes e organizando os padrões de trabalho**

I

Pialla

1558

## INTRODUZIONE

- Questo utensile serve per la piallatura di materiali del legno come travi e tavole; esso è adatto anche per la smussatura
- Questo utensile non è inteso per un uso professionale
- Leggete e conservate questo manuale di istruzione ③

## CARATTERISTICHE TECNICHE ①

### ELEMENTI UTENSILE ②

- A Alloggiamento per la chiave
- B Bullone di fissaggio
- C Viti del blocco di taglio
- D Pomello per regolare la profondità di piallatura
- E Indicatore della profondità di piallatura
- F Adattatore per aspirapolvere
- G Orifizio d'uscita dei trucioli
- H Interruttore di sicurezza
- J Interruttore di acceso/spento
- K Scanalatura a V
- L Feritoie di ventilazione

## SICUREZZA

### ISTRUZIONI GENERALI DI SICUREZZA

**⚠ ATTENZIONE! Leggere tutte le avvertenze di pericolo e le istruzioni operative.** In caso di mancato rispetto delle avvertenze di pericolo e delle istruzioni operative si potrà creare il pericolo di scosse elettriche, incendi e/o incidenti gravi. **Conservare tutte le avvertenze di pericolo e le istruzioni operative per ogni esigenza futura.** Il termine "elettroutensile" utilizzato nelle avvertenze di pericolo si riferisce ad utensili elettrici alimentati dalla rete (con linea di allacciamento) ed ad utensili elettrici alimentati a batteria (senza linea di allacciamento).

#### 1) SICUREZZA DELLA POSTAZIONE DI LAVORO

- a) **Mantenere pulito ed ordinato il posto di lavoro.** Il disordine o le zone di lavoro non illuminate possono essere fonte di incidenti.

b) **Evitare d'impiegare l'utensile in ambienti soggetti al rischio di esplosioni nei quali si trovino liquidi, gas o polveri infiammabili.** Gli utensili elettrici producono scintille che possono far infiammare la polvere o i gas.

c) **Mantenere lontani i bambini ed altre persone durante l'impiego dell'utensile elettrico.** Eventuali distrazioni potranno comportare la perdita del controllo sull'utensile.

#### 2) SICUREZZA ELETTRICA

- a) **La spina per la presa di corrente dovrà essere adatta alla presa. Evitare assolutamente di apportare modifiche alla spina. Non impiegare spine adattatrici assieme ad utensili con collegamento a terra.** Le spine non modificate e le prese adatte allo scopo riducono il rischio di scosse elettriche.
- b) **Evitare il contatto fisico con superfici collegate a terra, come tubi, riscaldamenti, cucine elettriche e frigoriferi.** Sussiste un maggior rischio di scosse elettriche nel momento in cui il corpo è messo a massa.
- c) **Custodire l'utensile al riparo dalla pioggia o dall'umidità.** L'eventuale infiltrazione di acqua in un utensile elettrico va ad aumentare il rischio d'insorgenza di scosse elettriche.
- d) **Non usare il cavo per scopi diversi da quelli previsti al fine di trasportare o appendere l'utensile, oppure di togliere la spina dalla presa di corrente. Mantenere l'utensile al riparo da fonti di calore, dall'olio, dagli spigoli o da pezzi in movimento.** I cavi danneggiati o aggrovigliati aumentano il rischio d'insorgenza di scosse elettriche.
- e) **Qualora si voglia usare l'utensile all'aperto, impiegare solo ed esclusivamente cavi di prolunga omologati per l'impiego all'esterno.** L'uso di un cavo di prolunga omologato per l'impiego all'esterno riduce il rischio d'insorgenza di scosse elettriche.
- f) **Qualora non fosse possibile evitare di utilizzare l'utensile in ambiente umido, utilizzare un interruttore di messa a terra.** L'uso di un interruttore di messa a terra riduce il rischio di una scossa elettrica.

#### 3) SICUREZZA DELLE PERSONE

- a) **È importante concentrarsi su ciò che si sta facendo e a maneggiare con giudizio l'utensile durante le operazioni di lavoro. Non utilizzare l'utensile in caso di stanchezza o sotto l'effetto di droghe, bevande alcoliche e medicinali.** Un attimo di distrazione durante l'uso dell'utensile potrà causare lesioni gravi.
- b) **Indossare sempre equipaggiamento protettivo individuale. Usare sempre protezioni per gli occhi.** Se si avrà cura d'indossare equipaggiamento protettivo individuale come la maschera antipolvere, la calzatura antisdrucciolevole di sicurezza, il casco protettivo o la protezione dell'udito, a seconda dell'impiego previsto per l'utensile elettrico, si potrà ridurre il rischio di ferite.
- c) **Evitare l'accensione involontaria dell'utensile. Prima di collegarlo alla rete di alimentazione elettrica e/o alla batteria ricaricabile, prima di prenderlo oppure prima di iniziare a trasportarlo, assicurarsi che l'utensile sia spento.** Tenendo il dito sopra l'interruttore mentre si trasporta l'utensile

- oppure collegandolo all'alimentazione di corrente con l'interruttore inserito, si vengono a creare situazioni pericolose in cui possono verificarsi seri incidenti.
- d) **Togliere gli attrezzi di regolazione o la chiave inglese prima di accendere l'utensile.** Un utensile o una chiave inglese che si trovino in una parte dell'utensile in rotazione potranno causare lesioni.
- e) **È importante non sopravvalutarsi. Avere cura di mettersi in posizione sicura e di mantenere l'equilibrio.** In tale maniera sarà possibile controllare meglio l'utensile in situazioni inaspettate.
- f) **Indossare vestiti adeguati. Evitare di indossare vestiti lenti o gioielli. Tenere i capelli, i vestiti ed i guanti lontani da pezzi in movimento.** Vestiti lenti, gioielli o capelli lunghi potranno impigliarsi in pezzi in movimento.
- g) **Se sussiste la possibilità di montare dispositivi di aspirazione o di captazione della polvere, assicurarsi che gli stessi siano stati installati correttamente e vengano utilizzati senza errori.** L'utilizzo di un'aspirazione polvere può ridurre lo svilupparsi di situazioni pericolose dovute alla polvere.
- 4) **MANEGGIO ED IMPIEGO ACCURATO DI UTENSILI ELETTRICI**
- a) **Non sovraccaricare l'utensile. Impiegare l'utensile elettrico adatto per sbrigare il lavoro.** Utilizzando l'utensile elettrico adatto si potrà lavorare meglio e con maggior sicurezza nell'ambito della gamma di potenza indicata.
- b) **Non utilizzare utensili elettrici con interruttori difettosi.** Un utensile elettrico che non si può più accendere o spegnere è pericoloso e dovrà essere riparato.
- c) **Prima di procedere ad operazioni di regolazione sull'utensile, prima di sostituire parti accessorie oppure prima di posare l'utensile al termine di un lavoro, estrarre sempre la spina dalla presa della corrente e/o estrarre la batteria ricaricabile.** Tale precauzione eviterà che l'utensile possa essere messo in funzione inavvertitamente.
- d) **Custodire gli utensili elettrici non utilizzati al di fuori della portata dei bambini. Non fare usare l'utensile a persone che non sono abituate ad usarlo o che non abbiano letto le presenti istruzioni.** Gli utensili elettrici sono pericolosi se utilizzati da persone inesperte.
- e) **Effettuare accuratamente la manutenzione dell'utensile. Verificare che le parti mobili dell'utensile funzionino perfettamente e non s'inceppino, che non ci siano pezzi rotti o danneggiati al punto tale da limitare la funzione dell'utensile stesso. Far riparare le parti danneggiate prima d'impiegare l'utensile.** Numerosi incidenti vengono causati da utensili elettrici la cui manutenzione è stata effettuata poco accuratamente.
- f) **Mantenere affilati e puliti gli utensili da taglio.** Gli utensili da taglio curati con particolare attenzione e con taglienti affilati s'inceppano meno frequentemente e sono più facili da condurre.
- g) **Utilizzare utensili elettrici, accessori, attrezzi, ecc. in conformità con le presenti istruzioni. Osservare le condizioni di lavoro ed il lavoro da eseguirsi**

**durante l'impiego.** L'impiego di utensili elettrici per usi diversi da quelli consentiti potrà dar luogo a situazioni di pericolo.

## 5) ASSISTENZA

- a) **Fare riparare l'utensile solo ed esclusivamente da personale specializzato e solo impiegando pezzi di ricambio originali.** In tale maniera potrà essere salvaguardata la sicurezza dell'utensile.

## ISTRUZIONI DI SICUREZZA PER PIALLI

### NOTE GENERALI

- Questo utensile non dev'essere utilizzato da persone di età inferiore ai 16 anni
- Durante le operazioni di lavoro il livello di rumorosità può superare 85 dB(A); **utilizzare le cuffie di protezione** ④
- Le polveri di materiali come vernici contenenti piombo, alcune specie di legno, minerali e metallo possono essere nocive (il contatto con queste polveri o la loro inalazione possono causare reazioni allergiche e/o disturbi respiratori all'operatore o ad altre persone presenti sul posto); **indossare una maschera protettiva per la polvere** ⑤ e **utilizzare un dispositivo per l'estrazione della polvere se è presente una presa di collegamento**
- Alcuni tipi di polvere sono classificati come cancerogeni (quali le polveri di quercia e faggio) specialmente se associate ad additivi per il trattamento del legno; **indossare una maschera protettiva per la polvere** ⑤ e **utilizzare un dispositivo per l'estrazione della polvere se è presente una presa di collegamento**
- Rispettare le istruzioni nazionali riguardanti l'estrazione della polvere per i materiali in lavorazione
- La SKIL garantisce un perfetto funzionamento dell'utensile soltanto se vengono utilizzati accessori originali
- Non usare l'utensile quando il cavo è danneggiato; farlo sostituire da personale qualificato
- **Staccate sempre la spina dell'utensile prima di effettuare regolazioni o cambiare gli accessori**

### PRIMA DELL'USO

- Controllare che la tensione dell'alimentazione sia la stessa di quella indicata sulla targhetta dell'utensile (gli utensili con l'indicazione di 230V o 240V possono essere collegati anche alla rete di 220V)
- Evitate possibili danneggiamenti da viti e chiodi sporgenti; rimuoverli prima di iniziare la lavorazione
- Prima di utilizzare l'utensile controllare che le lame non siano a contatto con nessuna cosa
- Usare cavi di prolunga completamente srotolati e sicure con una capacità di 16 Amp
- **Utilizzare morsetti o altre attrezzature per fissare e sostenere il pezzo di lavorazione a una piattaforma stabile** (tenere il pezzo in lavorazione in mano o stretto al corpo è instabile e può far perdere il controllo dell'utensile)

### DURANTE L'USO

- **Tenere l'utensile elettrico dalle superfici di impugnatura isolate, perché le lame di taglio potrebbe entrare a contatto con il proprio cavo** (le lame di taglio che entrano a contatto con un filo sotto tensione possono trasferire tensione alle parti metalliche esposte dell'utensile elettrico e provocare una scossa elettrica all'operatore)

- Mantenere sempre il cavo distante dalle parti in movimento dell'utensile; spingere il cavo verso la parte posteriore, distante dall'utensile
- Tenere le dita distanti dalle lame rotative
- Nel caso di cattivo funzionamento elettrico o meccanico, spegnete subito l'utensile e staccate la spina
- Se durante un'operazione di lavoro viene danneggiato oppure troncato il cavo, non toccare il cavo ma estrarre immediatamente la spina dalla presa
- Se del truciolo dovesse rimanere bloccato nell'uscita, si consiglia di spegnere il motore, assicurarsi che tutte le parti mobili si sono arrestate completamente, staccare la spina e rimuovere il truciolo bloccato

#### DOPO L'USO

- **Attendere che il blocco di taglio si arresti prima di posare l'utensile** (una lama esposta potrebbe ingaggiare la superficie causando possibile perdita di controllo o lesioni gravi)

## USO

- Cambio/inversione delle lame ⑥  
Questa pialla è munita di lame non riaffilabile con bordi di taglio ad entrambi i lati; quindi se un lato diventa smussato, si può utilizzare l'altro lato  
**! spegnete l'utensile e togliete la spina dalla presa di corrente**
  - prendere la chiave dell'alloggiamento A
  - capovolgete l'utensile
  - allentare i 3 bulloni B con la chiave (non rimuovere i bulloni)
  - spingere fuori la lama dal blocco di taglio con un pezzo di legno
  - rimettere la lama nel blocco di taglio nella posizione inversa, oppure usarne una nuova**! la scanalatura sulla lama deve corrispondere alla sporgenza del blocco di taglio**  
**! entrambe le estremità della lama devono sporgere in uguale distanza**
  - serrare con fermezza i 3 bulloni B con la chiave inglese**! cambiare/invertire le lame in tempo; utilizzare solamente lame affilate**  
**! cambiare/invertire sempre entrambe le lame allo stesso tempo**  
**! non tentare di regolare le lame con le viti C del blocco di taglio, che sono già impostate in fabbrica**
- Regolazione della profondità di piallatura ⑦
  - girare il pomello D in direzione "+"/"-" per diminuire/aumentare la profondità di piallatura
  - utilizzare l'indicatore E come riferimento
  - selezionare sempre una profondità di piallatura piuttosto superficiale e ripetere la piallatura ed il processo di regolazione fino a raggiungere la profondità richiesta
- Orifizio d'uscita dei trucioli ⑧
  - mediante l'adattatore F connettere l'aspiratore all'orifizio di uscita dei trucioli selezionato G, come da illustrazione**! non tentare di rimuovere eventuali ostruzioni dall'orifizio d'uscita dei trucioli mentre le lame stanno ruotando**

- Uso dell'utensile
  - regolare la profondità di piallatura
  - collocare l'utensile sul pezzo di lavorazione
  - ! assicurarsi che soltanto il piedino frontale sia poggiato sul pezzo di lavorazione**
  - accendere l'utensile prima premendo il pomello H ② (= interruttore di sicurezza che non può essere bloccato) e poi schiacciando l'interruttore J ②
  - ! prima che le lame raggiungano il pezzo di lavorazione, l'utensile dovrebbe funzionare a piena velocità**
  - ! durante la lavorazione, impugnare l'utensile sempre in corrispondenza della(e) area(e) grigia(e) ⑨**
  - tenere l'utensile con fermezza con entrambe le mani e guidarlo in avanti in una corsa continua
  - utilizzare l'utensile con la piastra di base sul pezzo di lavorazione
  - non inclinare l'utensile per evitare segni indesiderati di piallatura
  - ! prima di spegnere l'utensile, dovrete sollevarlo dal pezzo di lavorazione**
  - spegnere l'utensile rilasciando l'interruttore J

## CONSIGLIO PRATICO

- Per smussare gli angoli usare scanalatura a V nel piedino frontale ⑩
  - spostare il pomello D nella posizione "0" per smussare gli angoli in modo simile alla scanalatura
  - per scanalature più ampie, girare il pomello D per selezionare la profondità di piallatura richiesta**! effettuate sempre una prova su un pezzo di materiale di scarto**
- Per altri consigli consultare il sito [www.skil.com](http://www.skil.com)

## MANUTENZIONE / ASSISTENZA

- Questo utensile non è inteso per un uso professionale
- Tenete sempre puliti utensile e cavo (soprattutto le feritoie di ventilazione L ②)  
**! prima di pulire estrarre la spina dalla presa**
- Se nonostante gli accurati procedimenti di produzione di controllo l'utensile dovesse guastarsi, la riparazione va fatta effettuare da un punto di assistenza autorizzato per gli elettroutensili SKIL
  - inviare l'utensile **non smontato** assieme alle prove di acquisto al rivenditore oppure al più vicino centro assistenza SKIL (l'indirizzo ed il disegno delle parti di ricambio dell'utensile sono riportati su [www.skil.com](http://www.skil.com))

## TUTELA DELL'AMBIENTE

- **Non gettare l'utensile elettrico, gli accessori e l'imballaggio tra i rifiuti domestici** (solo per paesi UE)
  - secondo la Direttiva Europea 2002/96/CE sui rifiuti di utensili elettrici ed elettronici e la sua attuazione in conformità alle norme nazionali, gli utensili elettrici esausti devono essere raccolti separatamente, al fine di essere impiegati in modo eco-compatibile
  - il simbolo ⑪ vi ricorderà questo fatto quando dovrete eliminarle

## DICHIARAZIONE DEI CONFORMITÀ CE

- Dichiaro, assumendo la piena responsabilità di tale dichiarazione, che il prodotto è conforme alle seguenti normative e ai relativi documenti: EN 60745, EN 61000, EN 55014 in base alle prescrizioni delle direttive 2004/108/EG, 2006/42/EG, 2011/65/UE
- Fascicolo tecnico presso:** SKIL Europe BV (PT-SEU/ENG1), 4825 BD Breda, NL

Marijn van der Hoofden      Olaf Dijkgraaf  
Operations & Engineering      Approvals Manager

SKIL Europe BV, 4825 BD Breda, NL

27.06.2013

## RUMOROSITÀ/VIBRAZIONE

- Misurato in conformità al EN 60745 il livello di pressione acustica di questo utensile è 90 dB(A) ed il livello di potenza acustica 101 dB(A) (deviazione standard: 3 dB), e la vibrazione 5,1 m/s<sup>2</sup> (metodo mano-braccio; incertezza K = 1,5 m/s<sup>2</sup>)
- Il livello di emissione delle vibrazioni è stato misurato in conformità a un test standardizzato stabilito dalla norma EN 60745; questo valore può essere utilizzato per mettere a confronto un l'utensile con un altro o come valutazione preliminare di esposizione alla vibrazione quando si impiega l'utensile per le applicazioni menzionate
  - se si utilizza l'utensile per applicazioni diverse, oppure con accessori differenti o in scarse condizioni, il livello di esposizione potrebbe **umentare** notevolmente
  - i momenti in cui l'utensile è spento oppure è in funzione ma non viene effettivamente utilizzato per il lavoro, possono contribuire a **ridurre** il livello di esposizione

**! proteggersi dagli effetti della vibrazione effettuando la manutenzione dell'utensile e dei relativi accessori, mantenendo le mani calde e organizzando i metodi di lavoro**

H

**Gyalu 1558**

## BEVEZETÉS

- Ez a készülék például rögzített gerendák és falapok gyalulására is szolgál; a készülék sarkok hornyolására alkalmazható
- A szerszám nem professzionális használatra készült
- Olvassa el figyelmesen és őrizze meg a használati utasítást ③

## TECHNIKAI ADATOK ①

## SZERSZÁMGÉP ELEMEI ②

- A Kulcs tartója
- B Biztosítócsavar
- C Késtengely csavarok

- D Gyalulási mélységet beállító gomb
- E Gyalukés fogási mélységének jelző
- F Porszívó illesztőegység
- G Forgács-kivezető
- H Biztonsági kapcsoló
- J Be/ki kapcsológomb
- K V-bevágás
- L Szellőzőnyílások

## BIZTONSÁG

### ÁLTALÁNOS BIZTONSÁGI ELŐÍRÁSOK

**▲ FIGYELEM! Olvassa el az összes biztonsági figyelmeztetést és előírást.** A következőkben leírt előírások betartásának elmulasztása áramütésekhez, tűzhöz és/vagy súlyos testi sérülésekhez vezethet. **Kérjük a későbbi használatra gondosan őrizze meg ezeket az előírásokat.** Az alább alkalmazott elektromos kéziszerszám fogalom a hálózati elektromos kéziszerszámokat (hálózati csatlakozó kábelrel) és az akkumulátoros elektromos kéziszerszámokat (hálózati csatlakozó kábel nélkül) foglalja magában.

### 1) MUNKAHELYI BIZTONSÁG

- Tartsa tisztán és tartsa rendben a munkahelyét.** Rendetlen munkahelyek vagy megvilágítatlan munkaterületek balesetekhez vezethetnek.
- Ne dolgozzon az elektromos kéziszerszámmal olyan robbanásveszélyes környezetben, ahol éghető folyadékok, gázok vagy porok vannak.** Az elektromos kéziszerszámok szikrákat bocsáthatnak ki, amelyek meggyújtják a port vagy a gőzöket.
- Tartsa távol a gyerekeket és az idegen személyeket a munkahelytől, ha az elektromos kéziszerszámot használja.** Ha elvonják a figyelmét a munkától, könnyen elvesztheti az uralmát a berendezés felett.

### 2) ELEKTROMOS BIZTONSÁGI ELŐÍRÁSOK

- A készülék csatlakozó dugójának bele kell illeszkednie a dugaszolóaljzatba. A csatlakozó dugót semmilyen módon sem szabad megváltoztatni. Védőföldeléssel ellátott készülékekkel kapcsolatban ne használjon csatlakozó adaptert.** A változtatás nélküli csatlakozó dugók és a megfelelő dugaszoló aljzatok csökkentik az áramütés kockázatát.
- Ne érjen hozzá földelt felületekhez, mint csövekhez, fűtőtestekhez, kályhákhoz és hűtőszekrényekhez.** Az áramütési veszély megnövekszik, ha a teste le van földelve.
- Tartsa távol az elektromos kéziszerszámot az esőtől és a nedvesség hatásaitól.** Ha víz hatol be egy elektromos kéziszerszámba, ez megnöveli az áramütés veszélyét.
- Ne használja a kábelt a rendeltetésétől eltérő célokra, vagyis a szerszámot soha ne hordozza vagy akassza fel a kábelnél fogva, és soha ne húzza ki a hálózati csatlakozó dugót a kábelnél fogva. Tartsa távol a kábelt hőforrásoktól, olajtól, éles élektől, sarkaktól és mozgó gépalkatrészekről.** Egy megrongálódott vagy csomókkal teli kábel megnöveli az áramütés veszélyét.
- Ha egy elektromos kéziszerszámmal a szabad ég**

- alatt dolgozik, csak a szabadban való használatra engedélyezett hosszabbítót használjon. A szabadban való használatra engedélyezett hosszabbító használatra csökkenti az áramütés veszélyét.
- f) **Ha nem lehet elkerülni az elektromos kéziszerszám nedves környezetben való használatát, alkalmazzon egy földzárlat megszakítót.** Egy földzárlat megszakító alkalmazása csökkenti az áramütés kockázatát.
- 3) SZEMÉLYI BIZTONSÁGI ELŐÍRÁSOK**
- a) **Munka közben mindig figyeljen, ügyeljen arra, amit csinál, és meggondoltan dolgozzon az elektromos kéziszerszámmal. Ha fáradt, ha kábítószerek vagy alkohol hatása alatt áll, vagy orvosságokat vett be, ne használja a berendezést.** A berendezéssel végzett munka közben már egy pillanatrai figyelmetlenség is komoly sérülésekhez vezethet.
- b) **Viseljen személyi védőfelszerelést és mindig viseljen védőszemüveget.** A személyi védőfelszerelések, mint porvédő álarc, csúszásbiztos védőcipő, védősapka és fülvédő használatra az elektromos kéziszerszám használatra jellegének megfelelően csökkenti a személyes sérülések kockázatát.
- c) **Kerülje el a készülék akaratlan üzembe helyezését. Győződjön meg arról, hogy az elektromos kéziszerszám ki van kapcsolva, mielőtt bedugná a csatlakozó dugót a dugaszolóaljzatba, csatlakoztatná az akkumulátor-csomagot, és mielőtt felvenné és vinni kezdené az elektromos kéziszerszámot.** Ha az elektromos kéziszerszám felemelése közben az ujját a kapcsolón tartja, vagy ha a készüléket bekapcsolt állapotban csatlakoztatja az áramforráshoz, ez balesetekhez vezethet.
- d) **Az elektromos kéziszerszám bekapcsolása előtt okvetlenül távolítsa el a beállító szerszámokat vagy csavarkulcsokat.** Az elektromos kéziszerszám forgó részeiben felejtett beállító szerszám vagy csavarkulcs sérüléseket okozhat.
- e) **Ne becsülje túl önmagát. Kerülje el a normálistól eltérő testtartást, ügyeljen arra, hogy mindig biztosan álljon és az egyensúlyát megtartsa.** Így az elektromos kéziszerszám felett váratlan helyzetekben is jobban tud uralkodni.
- f) **Viseljen megfelelő ruhát. Ne viseljen bő ruhát vagy ékszereket. Tartsa távol a haját, a ruháját és a kesztyűjét a mozgó részekről.** A bő ruhát, az ékszereket és a hosszú haját a mozgó alkatrészek magukkal ránthatják.
- g) **Ha az elektromos kéziszerszámra fel lehet szerelni a por elszívásához és összegyűjtéséhez szükséges berendezéseket, ellenőrizze, hogy azok megfelelő módon hozzá vannak kapcsolva a készülékhez és rendeltetésüknek megfelelően működnek.** A porgyűjtő berendezések használata csökkenti a munka során keletkező por veszélyes hatását.
- 4) AZ ELEKTROMOS KÉZISZERSZÁMOK GONDOS KEZELÉSE ÉS HASZNÁLATA**
- a) **Ne terhelje túl az elektromos kéziszerszámot. A munkájához csak az arra szolgáló elektromos kéziszerszámot használja.** Egy alkalmas elektromos kéziszerszámmal a megadott teljesítménytartományon belül jobban és biztonságosabban lehet dolgozni.
- b) **Ne használjon olyan elektromos kéziszerszámot,**

- amelynek a kapcsolója elromlott. Egy olyan elektromos kéziszerszám, amelyet nem lehet sem be-, sem kikapcsolni, veszélyes és meg kell javíttatni.
- c) **Húzza ki a csatlakozó dugót a dugaszolóaljzattól és/vagy az akkumulátor-csomagot az elektromos kéziszerszámból, mielőtt az elektromos kéziszerszámon beállítási munkákat végez, tartozékokat cserél vagy a szerszámot tárolásra eteszi.** Ez az elővigyázatossági intézkedés meggátolja a szerszám akaratlan üzembe helyezését.
- d) **A használaton kívüli elektromos kéziszerszámokat olyan helyen tárolja, ahol azokhoz gyerekek ne férhessenek hozzá. Ne hagyja, hogy olyan személyek használják az elektromos kéziszerszámot, akik nem ismerik a szerszámot, vagy nem olvasták el ezt az útmutatót.** Az elektromos kéziszerszámok veszélyesek, ha azokat gyakorlatlan személyek használják.
- e) **A készüléket gondosan ápolja. Ellenőrizze, hogy a mozgó alkatrészek kifogástalanul működnek-e, nincsenek-e beszorulva, és nincsenek-e eltörve vagy megrongálódva olyan alkatrészek, amelyek hatással lehetnek az elektromos kéziszerszám működésére.** A megrongálódott részeket a készülék használata előtt javíttassa meg. Sok olyan baleset történik, amelyet az elektromos kéziszerszám nem kielégítő karbantartására lehet visszavezetni.
- f) **Tartsa tisztán és éles állapotban a vágószerszámokat.** Az éles vágóélekkel rendelkező és gondosan ápolott vágószerszámok ritkábban ékelődnek be és azokat könnyebben lehet vezetni és irányítani.
- g) **Az elektromos kéziszerszámokat, tartozékokat, betétszerszámokat stb. csak ezen előírásoknak használja. Vegye figyelembe a munkafeltételeket és a kivitelezendő munka sajátosságait.** Az elektromos kéziszerszám eredeti rendeltetésétől eltérő célokra való alkalmazása veszélyes helyzetekhez vezethet.
- 5) SZERVIZ**
- a) **Az elektromos kéziszerszámot csak szakképzett személyzet és csak eredeti pótalkatrészek felhasználásával javíthatja.** Ez biztosítja, hogy az elektromos kéziszerszám biztonságos szerszám maradjon.

## BIZTONSÁGI ELŐÍRÁSOK GYALUKHOZ

### ÁLTALÁNOS TUDNIVALÓK

- A készüléket csak 16 éven felüli személyek használják
- Munka közben a zaj meghaladhatja a 85 dB(A); **használjon fülvédőt** ④
- Az anyagból származó por (mint például az ólomot, néhány fajtát, ásványi anyagokat és fémeket tartalmazó festék) káros lehet (a por érintése vagy belégzése allergiás reakciókat és/vagy légzőszervi betegségeket okozhat a kezelő, illetve a közelben állók esetében); **viseljen pormaszkot** ⑤ **és amennyiben csatlakoztatható, dolgozzon porszivó berendezéssel**
- Bizonyos porfajták rákkeltő besorolással rendelkeznek (ilyen például a tölgypora és a bükkfa pora), különösen a fa kondicionálására szolgáló adalékokkal együtt; **viseljen pormaszkot** ⑤ **és amennyiben csatlakoztatható, dolgozzon porszivó berendezéssel**

- Kövesse a por kezelésével kapcsolatos helyi előírásokat azon termékkel kapcsolatosan, amellyel dolgozni kíván
- SKIL cég kizárólag eredeti alkatrészek és kiegészítők alkalmazása esetén tudja garantálni a gép problémamentes működését
- Soha ne használja a szerszámot ha a kábel sérült; cseréltesse ki szakértő által
- **Mindig húzza ki a dugaszolóaljzatot mielőtt tartozékot cserélne vagy bármit változtatna a gép beállításán**

#### HASZNÁLAT ELŐTT

- Mindig ellenőrizze, hogy a hálózati feszültség megegyezik-e a gép adattábláján feltüntetett értékkel (a 230V vagy 240V jelzésű gépek 220V feszültségre is csatlakoztathatók)
- Ügyeljen arra, hogy a munkadarabban lévő csavar, szög vagy hasonló sérüléseket ne okozhasson; a munka megkezdése előtt eltávolítandó
- Mielőtt használná a szerszámot, ellenőrizze, hogy a kések sehol sem érnek hozzá az anyaghoz
- Használjon teljesen letekert és biztonságos hosszabbítókábelt, 16 A-es teljesítménnyel
- **Szorítóval vagy más praktikus módon rögzítse, és támassza meg a munkadarabot egy stabil tartóállványon** (ha csak a kezével tartja vagy a testéhez szorítja a munkadarabot, elveszítheti a stabilitást, valamint az uralmat a gép felett)

#### HASZNÁLAT KÖZBEN

- **Az elektromos kéziszerszámot csak a szigetelt fogantyúfelületeknél fogja meg, mert a vágó rész elérheti a készülék saját hálózati vezetékét** (ha az elektromos kéziszerszám elvág egy feszültség alatt álló vezetékét, a fémrészei szintén feszültség alá kerülnek, ami áramütéshez vezet)
- A gép mozgó részétől mindig tartsa távol az elektromos kábelt; terelje a tápkábelt a gép hátulja felé, a géptől elfelé
- Ujjait tartsa távol a forgó késektől
- Normálistól eltérő működés valamint szokatlan, idegen hangok esetén a készüléket azonnal kapcsolja ki és a kábelt húzza ki a fali dugaszoló aljzatból
- Ha a kábel munka közben megsérül vagy el van vágva, ne érjen a kábelhez, hanem azonnal húzza ki a konektorból
- Ha a forgácsolóvezetőbe beszorul a forgács, ki kell kapcsolni a motort, meg kell várni, amíg a szerszám minden mozgó része teljes nyugalmi állapotba kerül, ezután ki kell húzni a csatlakozódugót, végül pedig el kell távolítani a beszorult forgácsot

#### A HASZNÁLATOT KÖVETŐEN

- **Mielőtt letenné a szerszámot, várja meg, hogy a késtengely megálljon** (a szabadon álló kés beakadhat a felfelületbe, minek következtében elveszítheti az irányítást a gép felett és komoly sérüléseket szenvedhet)

## KEZELÉS

- Kések cseréje ill. megfordítása ⑥  
Ez a gyalu olyan kopásálló késekkel van ellátva, melyek mindkét oldalukon rendelkeznek vágóéllel; így ha az egyik oldal élettelené válik, a másik még használható  
**! kapcsolja ki a gépet és húzza ki a csatlakozódugót**  
- vegye ki a kulcsot a tartóból A  
- a gépet fordítsa fel  
- a kulccsal lazítson ki 3 csavart B (de ne távolítsa el

- azokat)
- tolja ki egy darab fa segítségével a késtengelyből a kést
- helyezze vissza a kést fordított állásban, vagy cserélje ki egy újra
- ! a késben levő bemetszésnek érintkeznie kell a késtengely széléivel**
- ! mindkét kés vége egyformán kell, hogy kiálljon**
- szorosan húzza meg a 3 csavart B a kulccsal
- ! időben cserélje ki vagy fordítsa meg a késeket; csak éles késeket használjon**
- ! mindig ugyanakkor cserélje ki vagy fordítsa meg mindkét kést**
- ! olyan késtengely csavarokkal C, amelyeket a gyárban előre beállítottak ne próbálja megigazítani a késeket**
- Fogási mélység beállítása ⑦  
- a gyalulás mélységének növeléséhez/csökkentéséhez fordítsa el a D gombot "+"/"- irányba  
- a E jelző a referenciához használható  
- mindig sekély fogási mélységet válasszon és mindaddig ismételje a gyalulót ill. beállító folyamatokat, míg a kívánt mélységet el nem éri
- Forgács-kivezető ⑧  
- csatlakoztassa az adapteres porszívót F az ábrázolt módon a forgács-kivezető G kiválasztásához  
**! semmilyen eltömődést ne próbáljon meg eltávolítani a forgácskiveető nyílásból addig, amíg a kések forgásban vannak**
- A gép üzemeltetése  
- állítsa be a fogási mélységet  
- a készülék a munkadarabra illeszkedik  
**! bizonyosodjon meg arról, hogy az elülső talp a munkadarabon nyugszik és hogy a kések nem érintkeznek vele**  
- először kapcsolja be a gépet a nyomógommbal H ② (= biztonsági kapcsoló, amelyet nem lehet lezárni) és ezután húzza meg a kioldózár J ②  
**! mielőtt a kések hozzáérnének a munkadarabhoz, a gépet teljes sebességre kell kapcsolni**  
**! munka közben mindvégig tartsa gépet a szürke színű markolati terület(ek)en ⑨**  
- mindkét kezével tartsa erősen a gépet és egyenes tempóban vezesse előre  
- úgy használja a gépet, hogy a talplemez a munkadarabon nyugszik  
- a nemkívánt gyalulási nyomok elkerülése végett ne döntse meg a gépet  
**! kikapcsolás előtt készülékét távolítsa el a munkadarabtól**  
- kapcsolja ki a gépet a J kioldózár segítségével

## HASZNÁLAT

- Sarkok hornyolásához használja az elülső saruban lévő V-bevágást ⑩  
- a bevágásokhoz hasonló sarkok hornyolásához állítsa a D gombot "0" állásba  
- nagyobb bevágások esetében fordítsa el a D gombot a szükséges gyalulási mélység beállításához  
**! hulladék anyagron próbálja ki a munka megkezdése előtt**
- A www.skil.com címen még több ötletet és javaslatot talál



## KARBANTARTÁS / SZERVIZ

- A szerszám nem professzionális használatra készült
- Mindig tartsa tisztán a gépet és a vezetéket (különös tekintettel a szellőzőnyílásokra L ②)
- **! tisztítás előtt húzza ki a csatlakozódugót**
- Ha a gép a gondos gyártási és ellenőrzési eljárás ellenére egyszer mégis meghibásodna, akkor a javítással csak SKIL elektromos kéziszerszám-műhely ügyfélszolgálatát szabad megbízni
  - küldje az **összeszerelt** gépet a vásárlást bizonyító számlával együtt a kereskedő vagy a legközelebbi SKIL szervizállomás címére (a címlista és a gép szervizdiagramja a [www.skil.com](http://www.skil.com) címen található)

## KÖRNYEZET

- **Az elektromos kéziszerszámokat, tartozékokat és csomagolást ne dobja a háztartási szemétkébe** (csak EU-országok számára)
  - a használt villamos és elektronikai készülékekről szóló 2002/96/EK irányelv és annak a nemzeti jogba való átültetése szerint az elhasznált elektromos kéziszerszámokat külön kell gyűjteni, és környezetbarát módon újra kell hasznosítani
  - erre emlékeztet a ① jelzés, amennyiben felmerül az intézkedésre való igény

## CE MEGFELELŐSÉGI NYILATKOZAT

- Teljes felelősségünk tudatában kijelentjük, hogy jelen termék a következő szabványoknak vagy kötelező hatósági előírásoknak megfelel: EN 60745, EN 61000, EN 55014, a 2004/108/EK, 2006/42/EK, 2011/65/EU előírásoknak megfelelően
- **A műszaki dokumentáció a következő helyen található:** SKIL Europe BV (PT-SEU/ENG1), 4825 BD Breda, NL

Marijn van der Hoofden  
Operations & Engineering

Olaf Dijkgraaf  
Approvals Manager

SKIL Europe BV, 4825 BD Breda, NL  
27.06.2013

## ZAJ/REZGÉS

- Az EN 60745 alapján végzett mérések szerint ezen készülék hangnyomás szintje 90 dB(A) a hangteljesítmény szintje 101 dB(A) (normál eltérés: 3 dB), a rezgésszám 5,1 m/s<sup>2</sup> (kézre-ható érték; szórás K = 1,5 m/s<sup>2</sup>)
- A rezgés-kibocsátási szint mérése az EN 60745 szabványban meghatározott szabványosított teszttel összhangban történt; ez egy eszközhöz egy másik eszközzel történő összehasonlítására, illetve a rezgésnek való kitettség előzetes felmérésére használható fel az eszközhöz az említett alkalmazásokra történő felhasználása során
  - az eszközhöz eltérő alkalmazásokra, vagy eltérő, illetve rosszul karbantartott tartozékokkal történő felhasználása jelentősen **emelheti** a kitettség szintjét
  - az idő, amikor az eszköz ki van kapcsolva, vagy amikor ugyan működik, de ténylegesen nem végez

munkát, jelentősen **csökkentheti** a kitettség szintjét  
**! az eszköz és tartozékai karbantartásával, kezének melegen tartásával, és munkavégzésének megszervezésével védje meg magát a rezgések hatásaitól**

**CZ**

## Hoblík

1558

## ÚVOD

- Toto nářadí je určeno k hoblování dřevěných materiálů jako jsou trámy a prkna; je také vhodné ke srážení hran
- Tento nástroj není určen k profesionálnímu použití
- Tento návod s pokyny si pečlivě přečtěte a uschovejte ③

## TECHNICKÉ ÚDAJE ①

## SOUČÁSTI NÁSTROJE ②

- A Zásobník na klíč
- B Upínací šroub
- C Nožová hlava šroubu
- D Seřizovač hloubky hoblování
- E Indikátor hloubky hoblování
- F Adaptér vysavače
- G Odvod pilin
- H Bezpečnostní spínač
- J Spínač "zapnuto/vypnuto"
- K Drážka ve tvaru "V"
- L Větrací štěrbiny

## BEZPEČNOST

### VŠEOBECNÉ BEZPEČNOSTNÍ PŘEDPISY

**⚠ POZOR! Čtěte všechna varovná upozornění a pokyny.** Zanedbání při dodržování varovných upozornění a pokynů mohou mít za následek úder elektrickým proudem, požár a/nebo těžká poranění. **Všechna varovná upozornění a pokyny do budoucna uschovejte.** Ve varovných upozorněních použitý pojem "elektronářadí" se vztahuje na elektronářadí provozované na el. síti (se síťovým kabelem) a na elektronářadí provozované na akumulátoru (bez síťového kabelu).

### 1) BEZPEČNOST PRACOVNÍHO MÍSTA

- Udržujte Vaše pracovní místo čisté a uklizené.** Nepořádek nebo neosvětlené pracovní oblasti mohou vést k úrazům.
- Se strojem neprocupíte v prostředích ohrožených explozí, kde se nacházejí hořlavé kapaliny, plyny nebo prach.** Elektronářadí vytváří jiskry, které mohou prach nebo páry zapálit.
- Děti a jiné osoby udržujte při použití elektronářadí daleko od Vašeho pracovního místa.** Při rozptýlení můžete ztratit kontrolu nad strojem.

### 2) ELEKTRICKÁ BEZPEČNOST

- Připojovací zástrčka stroje musí lícovat se zásuvkou. Zástrčka nesmí být žádným způsobem**

- upravena. Společně se stroji s ochranným uzemněním nepoužívejte žádné adaptérové zástrčky. Neupravené zástrčky a vhodné zásuvky snižují riziko elektrického úderu.
- b) **Zabraňte kontaktu těla s uzemněnými povrchy, jako např. potrubí, topení, sporáky a chladničky.** Je-li Vaše tělo uzemněno, existuje zvýšené riziko elektrického úderu.
- c) **Chraňte stroj před deštěm a vlhkem.** Vniknutí vody do elektrického stroje zvyšuje nebezpečí elektrického úderu.
- d) **Dbejte na účel kabelu, nepoužívejte jej k nošení či zavěšení stroje nebo vytažení zástrčky ze zásuvky.** Udržujte kabel daleko od tepla, oleje, ostrých hran nebo pohyblivých dílů stroje. Poškozené nebo spletené kabely zvyšují riziko elektrického úderu.
- e) **Pokud pracujete s elektronářadím venku, použijte pouze takové prodlužovací kabely, které jsou schváleny i pro venkovní použití.** Použití prodlužovacího kabelu, jež je vhodný pro použití venku, snižuje riziko elektrického úderu.
- f) **Pokud se nelze vyhnout provozu elektronářadí ve vlhkém prostředí, použijte ochranný jistič.** Nasazení ochranného jističe snižuje riziko úderu elektrickým proudem.
- 3) BEZPEČNOST OSOB**
- a) **Buďte pozorní, dávejte pozor na to, co děláte a přistupujte k práci s elektronářadím rozumně. Stroj nepoužívejte pokud jste unaveni nebo pod vlivem drog, alkoholu nebo léků.** Moment nepozornosti při použití elektronářadí může vést k vážným poraněním.
- b) **Noste osobní ochranné pomůcky a vždy ochranné brýle.** Nošení osobních ochranných pomůcek jako maska proti prachu, bezpečnostní obuv s protiskluzovou podrážkou, ochranná přilba nebo sluchátka, podle druhu nasazení elektronářadí, snižují riziko poranění.
- c) **Zabraňte neúmyslnému uvedení do provozu. Přesvědčte se, že je elektronářadí vypnuté dříve než jej uchopíte, ponese či připojíte na zdroj proudu a/nebo akumulátor.** Máte-li při nošení elektronářadí prst na spínači nebo pokud stroj připojíte ke zdroji proudu zapnutý, pak to může vést k úrazům.
- d) **Než stroj zapnete, odstraňte seřizovací nástroje nebo šroubovák.** Nástroj nebo klíč, který se nachází v otáčivém dílu stroje, může vést k poranění.
- e) **Nepřeceňujte se. Zajistěte si bezpečný postoj a vždy udržujte rovnováhu.** Tím můžete stroj v neočekávaných situacích lépe kontrolovat.
- f) **Noste vhodný oděv. Nenoste žádný volný oděv nebo šperky. Vlasy, oděv a rukavice udržujte daleko od pohyblivých se dílů.** Volný oděv, šperky nebo dlouhé vlasy mohou být zachyceny pohyblivými se díly.
- g) **Lze-li namontovat odsávací či zachycující přípravky, přesvědčte se, že jsou připojeny a správně použity.** Použití odsávání prachu může snížit ohrožení prachem.
- 4) SVĚDOMITÉ ZACHÁZENÍ A POUŽÍVÁNÍ ELEKTRONÁŘADÍ**
- a) **Stroj nepřetěžujte. Pro svou práci použijte k tomu určený stroj.** S vhodným elektronářadím budete pracovat v dané oblasti výkonu lépe a bezpečněji.
- b) **Nepoužívejte žádné elektronářadí, jehož spínač je vadný.** Elektronářadí, které nelze zapnout či vypnout je

nebezpečné a musí se opravit.

- c) **Než provedete seřízení stroje, výměnu dílů příslušenství nebo stroj odložíte, vytáhněte zástrčku ze zásuvky a/nebo odstraňte akumulátor.** Toto preventivní opatření zabrání neúmyslnému zapnutí stroje.
- d) **Uchovávejte nepoužívané elektronářadí mimo dosah dětí. Nenechte stroj používat osobám, které se strojem nejsou seznámeny nebo nečetly tyto pokyny.** Elektronářadí je nebezpečné, je-li používáno nezkušenými osobami.
- e) **Pečujte o stroj svědomitě. Zkontrolujte, zda pohyblivé díly stroje bezvadně fungují a nevzpříčují se, zda díly nejsou zlomené nebo poškozené tak, že je omezena funkce stroje. Poškozené díly nechte před nasazením stroje opravit.** Mnoho úrazů má příčinu ve špatně udržovaném elektronářadí.
- f) **Rezné nástroje udržujte ostré a čisté.** Pečlivě ošetřované rezné nástroje s ostrými reznými hranami se méně vzpříčují a dají se lehčeji vést.
- g) **Používejte elektronářadí, příslušenství, nasazovací nástroje apod. podle těchto pokynů. Respektujte přítom pracovní podmínky a prováděnou činnost.** Použití elektronářadí pro jiné než určující použití může vést k nebezpečným situacím.
- 5) SERVIS**
- a) **Nechte Váš stroj opravit pouze kvalifikovaným odborným personálem a pouze s originálními náhradními díly.** Tím bude zajištěno, že bezpečnost stroje zůstane zachována.

## BEZPEČNOSTNÍ PŘEDPISY PRO HOBLÍKY

### OBECNĚ

- Tento nástroj nesmí používat osoby mladší 16 let
- Hladina hluku může při práci přesáhnout 85 dB(A); **vhodným prostředkem si chráníte udi ④**
- Prach z látek, jako jsou barvy obsahující olovo, některé druhy dřeva, minerály a kovy, může být škodlivý (kontakt s prachem nebo jeho vdechnutí může způsobit alergickou reakci a/nebo vyvolat respirační choroby u obsluhy nebo přihlížejících); **noste protiprachovou masku ⑤ a pracujte se zařízením na odsávání prachu, pokud je možné jej připojit**
- Některé druhy prachu jsou klasifikovány jako karcinogenní (například dubový a bukový prach) zejména ve spojení s přísadami pro úpravu dřeva; **noste protiprachovou masku ⑤ a pracujte se zařízením na odsávání prachu, pokud je možné jej připojit**
- Dodržujte stanovená nařízení pro práci v prašném prostředí
- SKIL zajistí bezvadnou funkci nářadí pouze tehdy, používáte-li původní značkové
- Pila se nesmí používat, je-li její přívodní šňůra poškozená; nechte si je kvalifikovaným pracovníkem vyměnit
- Před seřizováním, měněním pilových listů a příslušenství, vždy vytáhněte zástrčku nářadí z el. sítě**

### PŘED POUŽITÍM

- Vždy zkontrolujte, zda je napájecí napětí stejné jako napětí uvedené na typovém štítku nástroje (nářadí určené k napájení 230V nebo 240V lze použít též v síti 220V)

- Vrtačku nepoužívejte je-li navlhla a nepracujte v blízkosti snadno zápalných nebo výbušných materiálů; před zahájením práce je odstraňte
- Před použitím přístroje zkontrolujte, zda se nože nikde nedřou
- Používejte zcela rozvinutá a bezpečně prodlužovací šňůry o kapacitě 16 ampér
- **Pomocí svorek nebo jiným vhodným způsobem upevněte obráběný díl na stabilní podložku** (pokud jej budete při práci držet v ruce nebo opřený o tělo, bude nestabilní a můžete nad ním ztratit kontrolu)

#### BĚHEM POUŽITÍ

- **Držte elektronářadí na izolovaných uchopovacích plochách, protože nůž se může dotknout vlastního kabelu** (kontakt s vodičem "pod proudem" způsobí přenos proudu do neizolovaných částí nástroje a přivodí uživateli úraz)
- Šňůru udržujte vždy mimo dosah pohyblivých částí nástroje; šňůru nasměrujte dozadu, pryč od nástroje
- Nedávejte prsty do blízkosti rotujících nožů
- V případě atypického chování nebo cizích hluků ihned vypněte nářadí a vytáhněte zástrčku
- Jestliže přivodní šňůru při práci podkódíte nebo proříznete, nedotýkejte se jí a okamžitě ji vytáhněte ze síťové zásuvky
- Jestliže uvázne hoblina ve vývodu, vypněte motor a zkontrolujte, zda se všechny pohyblivé části zastavily, vytáhněte zástrčku a odstraňte uvázlou hoblinu

#### PO POUŽITÍ

- **Hoblovačku neodkládejte, dokud se nožová hlava zcela nezastaví** (nahé ostří se může zaseknout do povrchu a případně způsobit ztrátu kontroly přístroje a vážný úraz)

### OBSLUHA

- Výměna/obrácení nožů ⑥  
Tato hoblík je vybaven noži, které nelze sice nabrousit, ale mají ostří na obou stranách; jestliže se otupí jedna strana, můžete použít druhou  
**! vypněte nářadí a odpojte zástrčku**  
- ze zásobníku A vyjměte klíč  
- obraťte nářadí vzhůru nohama  
- klíčem uvolněte 3 šrouby B (nevytahujte je)  
- kouskem dřeva vysuňte nůž z nožové hlavy  
- nasad'te nůž do nožové hlavy obráceně, nebo použijte nový nůž  
**! drážka v noži se musí vyrovnat s hranou nožové hlavy**  
**! oba konce nože musejí vyčnívat stejně**  
- klíčem pevně utáhněte 3 šrouby B  
**! vyměňte/obraťte nože včas; pracujte pouze s ostrými noži**  
**! vyměňte/obraťte vždy oba nože současně**  
**! neseřizujte nožová hlava šrouby C, které jsou nastaveny v továrně**
- Seřízení hloubky hoblování ⑦  
- otáčením knoflíku D ve směru "+" / "-" lze zvyšovat/snižovat hloubku hoblování  
- použijte indikátor E jako vodičko  
- nejprve si vždy zvolte mělké hoblování a podle potřeby hoblování a seřízení opakujte až do požadované hloubky

- Odvod pilin ⑧  
- připojte vysavač pomocí adaptéru F k odvodu pilin G, jak je znázorněno  
**! nepokoušejte se z odvodu pilin odstranit žádné překážky, pokud je hoblík zapnutý**
- Použití nástroje  
- seříd'te si hloubku hoblování  
- umístěte nářadí na obrobek  
**! na obrobku musí spočívat pouze přední patka a nože se jej nesmějí dotýkat**  
- zapněte přístroj nejprve stisknutím spínače H ② (= bezpečnostní spínač, který nelze zajistit) a poté stisknutím spouštěče J ②  
**! než se nože dotknou obrobku, musí přístroj běžet naplno**  
**! při práci vždy držte nástroj v šedě zabarvené oblasti rukojeti ⑨**  
- držte přístroj pevně oběma rukama a pohybujte jím plynule dopředu  
- při práci musí podkladní deska spočívat na obrobku  
- nenaklánejte přístroj, jinak se na obrobku udělají nežádoucí rýhy  
**! před vypnutím nářadí nejprve odejměte od obrobku**  
- přístroj vypněte uvolněním spouštěče J

### NÁVOD K POUŽITÍ

- Ke srážení hran používejte drážky ve tvaru V v přední patce ⑩  
- nastavte knoflík D do polohy "0" pro srážení hran podobných drážce  
- pro větší drážky otáčejte knoflíkem D a vyberte požadovanou hloubku hoblování  
**! vždy nejprve proveďte zkoušku na očištěném kousku materiálu**
- Další tipy najdete na [www.skil.com](http://www.skil.com)

### ÚDRŽBA / SERVIS

- Tento nástroj není určen k profesionálnímu použití
- Nástroj a přivodní šňůru udržujte čisté (zejména větrací šterbiny L ②)  
**! před čištěním odpojte zástrčku**
- Pokud dojde i přes pečlivou výrobu a náročné kontroly k poruše nástroje, svěřte provedení opravy autorizovanému servisnímu středisku pro elektronářadí firmy SKIL  
- zašlete nástroj **nerozebraný** spolu s potvrzením o nákupu své prodejně nebo nejbližšímu servisu značky SKIL (adresy a servisní schéma nástroje najdete na [www.skil.com](http://www.skil.com))

### ŽIVOTNÍ PROSTŘEDÍ

- **Elektrické nářadí, doplňky a balení nevyhazujte do komunálního odpadu** (jen pro státy EU)  
- podle evropské směrnice 2002/96/EG o nakládání s použitými elektrickými a elektronickými zařízeními a odpovídajících ustanovení právních předpisů jednotlivých zemí se použijí elektrická nářadí, musí sbírat odděleně od ostatního odpadu a podrobit ekologicky šetrnému recyklování  
- symbol ⑪ na to upozorňuje

## PROHLÁŠENÍ O SHODĚ CE

- Potvrzujeme na odpovědnost, že tento výrobek odpovídá následujícím normám nebo normativním podkladům: EN 60745, EN 61000, EN 55014, podle ustanovení směrnice 2004/108/ES, 2006/42/ES, 2011/65/EU
- **Technická dokumentace u:** SKIL Europe BV (PT-SEU/ENG1), 4825 BD Breda, NL

Marijn van der Hoofden      Olaf Dijkgraaf  
Operations & Engineering      Approvals Manager

SKIL Europe BV, 4825 BD Breda, NL

27.06.2013

## HLUČNOSTI/VIBRACÍ

- Měřeno podle EN 60745 číni tlak hlučkové vlny tohoto přístroje 90 dB(A) a dávka hlučnosti 101 dB(A) (standardní odchylka: 3 dB), a vibrací 5,1 m/s<sup>2</sup> (metoda ruka-paže; nepřesnost K = 1,5 m/s<sup>2</sup>)
  - Úroveň vibrací byla měřena v souladu se standardizovaným testem podle EN 60745; je možné ji použít ke srovnání jednoho přístroje s druhým a jako předběžné posouzení vystavování se vibracím při používání přístroje k uvedeným aplikacím
    - používání přístroje k jiným aplikacím nebo s jiným či špatně udržovaným příslušenstvím může zásadně **zvýšit** úroveň vystavení se vibracím
    - doba, kdy je přístroj vypnutý nebo kdy běží, ale ve skutečnosti není využíván, může zásadně **snižit** úroveň vystavení se vibracím
- ! chráňte se před následky vibrací tak, že budete dbát na údržbu přístroje a příslušenství, budete si udržovat teplé ruce a uspořádáte si své pracovní postupy**

TR

## Planya

## 1558

## GİRİŞ

- Bu aletle ahşap yüzeylerin planyası için geliştirilmiştir; aynı zamanda kolayca köşeleri pahlar
- Bu alet profesyonel kullanıma yönelik değildir
- Bu kullanma kılavuzunu okuyun ve saklayın ③

## TEKNİK VERİLER ①

## ALET BİLEŞENLERİ ②

- A Anahtar için depo
- B Tespit civatası
- C Kesici bloktan vidalar
- D Planya derinliğini ayarlama düğmesi
- E Planya derinliği göstergesi
- F Süpürge bağlantısı
- G Çip çıkışı
- H Güvenlik şalteri
- J Açma/kapama şalteri

- K V-oyuğu
- L Havalandırma yuvaları

## GÜVENLİK

### GENEL GÜVENLİK TALIMATI

**⚠ DİKKAT! Bütün uyarıları ve talimat hükümlerini okuyun.** Açıklanan uyarılara ve talimat hükümlerine uyulmadığı takdirde elektrik çarpmalarına, yangınları ve/veya ağır yaralanmalara neden olunabilir. **Bütün uyarıları ve talimat hükümlerini ileride kullanmak üzere saklayın.** Uyarı ve talimat hükümlerinde kullanılan "elektrikli el aleti" kavramı, akım şebekesine bağlı (şebeke bağlantı kablosu ile) aletlerle akü ile çalışan aletleri (akım şebekesine bağlantısı olmayan aletler) kapsamaktadır.

### 1) ÇALIŞMA YERİ GÜVENLİĞİ

- Çalıştığınız yeri temiz ve düzenli tutun.** İşyerindeki düzensizlik veya yetersiz aydınlatma kazalara neden olabilir.
- Yanıcı sıvıların, gazların veya tozların bulunduğunu patlama tehlikesi olan yer ve mekânlarda aletinize çalışmayın.** Elektrikli el aletleri, toz veya buharların tutuşmasına veya yanmasına neden olan kıvılcımlar çıkarırlar.
- Elektrikli el aletinizle çalışırken çocukları ve başkalarını çalışma alanınızın uzağında tutun.** Yakınızdaki bulunan kişiler dikkatinizi dağıtabilir ve bu da alet üzerindeki kontrolünüzü kaybetmenize neden olabilir.

### 2) ELEKTRİKSEL GÜVENLİK

- Aletinize bağlantı fişi prize uymalıdır. Fişi hiçbir şekilde değiştirmeyin. Koruyucu topraklamalı aletlerle adaptörlü fiş kullanmayın.** Değiştirilmemiş, orijinal fiş ve uygun prizler elektrik çarpması tehlikesini azaltır.
  - Borular, kalorifer tesisatı, ısıtıcılar ve buzdolapları gibi topraklanmış yüzeylerle bedensel temasa gelmekten kaçının.** Eğer bedeniniz topraklanacak olursa yüksek bir elektrik çarpması tehlikesi ortaya çıkar.
  - Aletinizi yağmur ve nemden koruyun.** Elektrikli el aletinin içine suyun sızması elektrik çarpması tehlikesini yükseltir.
  - Kabloyu kendi amacı dışında kullanmayın; örneğin aleti kablodan tutarak taşımayın, aleti kablo ile asmayın veya kablodan çekerek fişi prizden çıkarmayın. Kabloyu aşırı sıckattan, yağlardan, keskin kenarlı cisimlerden veya aletin hareketli parçalarından uzak tutun.** Hasarlı veya dolaşmış kablo elektrik çarpması tehlikesini yükseltir.
  - Elektrikli el aletinizle açık havada çalışırken mutlaka açık havada kullanılmaya müsadeeli uzatma kablosu kullanın.** Açık havada kullanılmaya uygun ve müsadeeli uzatma kablosunun kullanılması elektrik çarpması tehlikesini azaltır.
  - Elektrikli el aletinin nemli ortamlarda çalıştırılması şartsa, mutlaka toprak kaçağı devre kesicisi kullanın.** Toprak kaçağı devre kesicisi kullanımı elektrik çarpması tehlikesini azaltır.
- ### 3) KİŞİLERİN GÜVENLİĞİ
- Dikkatli olun, ne yaptığınıza dikkat edin ve elektrikli el aletinizle çalışırken makul hareket**

- edin. Yorgunsanız, hap, ilaç veya alkol almışsanız aletinizi kullanmayın. Aletinizi kullanırken bir anlık dikkatsizliğiniz ciddi yaralanmalara yol açabilir.
- b) **Daima kişisel korunma donanımları ve bir koruyucu gözlük kullanın.** Elektrikli el aletinin türü ve kullanımına uygun olarak kullanacağınız toz maskesi, kaymayan sağlam iş ayakkabıları, koruyucu kask veya koruyucu kulaklık gibi kişisel korunma donanımlarını kullanmanızı yaralanma tehlikesini büyük ölçüde azaltır.
- c) **Aleti yanlışlıkla çalıştırmaktan kaçının. Akım ikmal şebekesine ve/veya aküye bağlamadan, elinize alıp taşımadan önce elektrikli el aletinin kapalı durumda olduğundan emin olun.** Elektrikli el aletini parmağınız şalter üzerinde dururken taşırken ve alet açırken fişi prize sokarsanız kazalara neden olabilirsiniz.
- d) **Aleti çalıştırmadan önce ayar aletlerini veya tornavidaları aletten uzaklaştırın.** Dönen alet parçasına temas halinde bulunan bir uç veya anahtar yaralanmalara neden olabilir.
- e) **Kendinizi çok fazla güvenmeyin. Duruşunuzun güvenli olmasına dikkat edin ve daima dengelenizi koruyun.** Bu sayede aletinizi beklenmedik durumlarda daha iyi kontrol edersiniz.
- f) **Uygun iş giysileri giyin. Çalışırken çok bol giysiler giymeyiş ve tiki takmayın. Saçlarınızı, giysilerinizi ve eldivenlerinizi aletin hareketli parçalarından uzak tutun.** Bol giysiler, takılar veya uzun saçlar aletin hareketli parçaları tarafından tutulabilir.
- g) **Aletinize toz emme donanımı ve toz tutma donanımı takılabiliyorsa, bunların bağlı olup olmadığını ve doğru işlev görünüm görmediklerini kontrol edin.** Toz emme donanımını kullanımı tozdan kaynalanabilecek tehlikeleri azaltır.
- 4) ELEKTRİKLİ EL ALETLERİYLE DİKKATLİ ÇALIŞMAK VE ALETİ DOĞRU KULLANMAK**
- a) **Aletinizi aşırı ölçüde zorlamayın. İşinize uygun elektrikli el aletini kullanın.** Uygun elektrikli el aleti ile belirtilen performans alanında daha iyi ve daha güvenli çalışırsınız.
- b) **Açma/kapama şalteri arızalı olan elektrikli el aletini kullanmayın.** Açılıp kapanmayan bir elektrikli el aleti tehlikelidir ve onarılması gerekir.
- c) **Alette bir ayarlama işlemine başlamadan ve/veya aküyü çalıştırmadan önce, herhangi bir aksesuarı değiştirirken veya aleti elinizden bırakırken fişi prizden çekin.** Bu önlem, aletin kontrolünüz dışında ve istenmeden çalışmasını önler.
- d) **Kullanım dışında iken elektrikli el aletinizi çocukların ulaşamayacağı bir yerde saklayın. Aleti kullanmayı bilmeyen veya bu güvenlik talimatını okumayan kişilerin aleti kullanmasına izin vermeyin.** Deneyimsiz kişiler tarafından kullanıldıkları takdirde elektrikli el aletleri tehlikeli olabilirler.
- e) **Aletinizin bakımını özenle yapın. Aletin hareketli parçalarının kusursuz işlev görünüm görmediklerini ve sıkışmadıklarını, parçalarını kırık veya hasarlı olup olmadıklarını kontrol edin, aksi takdirde alet işlevini tam olarak yerine getiremez. Aletinizi kullanmadan önce hasarlı parçaları onartın.** Birçok iş kazası aletlerin kötü ve yetersiz bakımından kaynaklanır.
- f) **Kesici uçları keskin ve temiz tutun.** İyi bakım görmüş kesici uçlar daha ender sıkıştırlar ve daha iyi yönlendirilirler.

- g) **Elektrikli el aletlerini, aksesuarı, uçları ve benzerlerini bu güvenlik talimatına uygun olarak kullanın. Aletinizi kullanırken çalışma koşullarını ve yaptığınız işi daima dikkate alın.** Elektrikli el aletlerini kendileri için öngörülen işlerin dışında kullanmak tehlikeli durumların ortaya çıkmasına neden olabilir.

## 5) SERVİS

- a) **Aletinizi sadece uzman bir elemana ve orijinal yedek parçalar kullanarak onartın.** Böylelikle aletin güvenliğini korumuş olursunuz.

## PLANYALAR İÇİN GÜVENLİK TALİMATI

### GENEL

- Bu alet 16 yaşının altındaki kişiler tarafından kullanılmamalıdır
- Cihaz çalışırken gürültü seviyesi 85 dB(A) desibele kadar çıkabilir; **kulak koruyucu kullanınız** (4)
- Kurşun içeren boya, bazı ahşap türleri, mineral ve metal gibi malzemelerden çıkan toz zararlı olabilir (tozla temasta bulunulması veya solunması operatörde veya yakında bulunan kişilerde alerjik reaksiyonlara ve/veya solunum yolu hastalıklarına neden olabilir); (5) **toz maskesi takın ve toz ekstraksiyon cihazıyla çalışın (bağlanabiliyorsa)**
- Bazı toz tipleri (örneğin meşe ve kayın ağacı tozu), bilhassa aışap yenileme katkı maddeleriyle birlikte, karsinojenik olarak sınıflandırılır; (5) **toz maskesi takın ve toz ekstraksiyon cihazı ile çalışın (bağlanabiliyorsa)**
- Çalışmak istediğiniz malzemelerin, toz ile ilgili ulusal taleplerini takip ediniz
- SKIL sadece orijinal aksesuarlar kullanıldığında aletin düzgün çalışmasını garanti eder
- Kordon hasarlı iken cihazı kesinlikle kullanmayın; uzman bir kişi tarafından değiştiriniz
- **İstediğiniz ayar değişikliklerini ve aksesuar değişikliklerini yapmadan önce mutlaka şebeke fişini prizden çekin**

### KULLANMADAN ÖNCE

- Güç geriliminin, aletin özellik plakasında belirtilen voltaj değeriyle aynı olduğunu sık sık kontrol edin (230V veya 240V aletler 220V kaynağa bağlanabilir)
- İş parçasının vida, çivi ve benzeri malzeme tarafından hasar görmemesi için dikkatli olun; çalışmaya başlamadan önce bunları çıkartın
- Aleti kullanmadan önce bıçakların hiçbir yere değmediğinden emin olun
- Tamamen kusursuz ve güvenli 16 Amp uzatma kabloları kullanın
- **İş parçasını iyice sabitlemek ve desteklemek için mengene kullanın veya diğer pratik yollara başvurun** (iş parçasını elde tutmak veya vücuda dayamak sabit olmasına ve kontrol kaybına neden olabilir)

### KULLANIM SIRASINDA

- **Kesici kendi kablosuna temas edebileceği için elektrikli aleti izolasyonu tutamaklarından tutun** (akım ileten elektrik kablosunun kesilmesi aletin metal parçalarının da elektrik akımına maruz kalmasına ve kullanılan kişiyi elektrik çarpmasına neden olabilir)
- Kabloyu her zaman aletin hareketli parçalarından uzak tutun; kabloyu arka tarafta araçtan uzakta bulundurun
- Parmaklarınızı dönen bıçaklardan uzak tutun
- Elektriksel veya mekaniksel hatalı çalışma durumunda

- aleti hemen kapatın ve fişi çekin
- Eğer cihazı kullanırken kordon hasar görür yada kesilirse, kordona kesinlikle dokunmayınız ve derhal fişi çekiniz
- Eğer talaş çıkışında herhangi bir parça sıkışırsa, motoru kapatmanız gerekir; hareket halindeki bütün parçaların durduğundan emin olduktan sonra fişi prizden çekin ve sıkışan yongayı çıkarın

#### KULLANIMDAN SONRA

- Aleti bırakmadan önce kesici bloğunun durmasını bekleyin (açıktaki bıçak yüzeye dokunarak kontrol kaybına ve ciddi yaralanmaya neden olabilir)

## KULLANIM

- Bıçakları değiştirme/çevirme ⑥  
Bu planyada her iki tarafında keskin kenar bulunan bilenmez bıçak vardır; dolayısıyla, bir tarafı körleşince öbür tarafı kullanılabilir  
**! aleti kapatın ve fişi prizden çekin**  
- anahtarı depodan A çıkartın  
- aleti baş aşağı çevirin  
- anahtarla 3 civatayı B gevşetin (civataları çıkartmayın)  
- bir tahta parçasıyla iterek bıçağı kesici bloktan çıkarın  
- bıçağın öbür tarafını çevirin ve kesici bloğa tekrar takın, veya yeni bıçak kullanın  
**! bıçaktaki oyuk kesici bloktaki çıkıntıya oturmalıdır**  
**! bıçağın iki ucu kenarlardan eşit taşmalıdır**  
- anahtarla 3 civatayı B iyice sıkın  
**! zaman zaman bıçakları değiştirin/çevirin; sadece keskin bıçak kullanın**  
**! her iki bıçağı aynı zamanda değiştirin/çevirin**  
**! bıçakları kesici bloktan vidalardan C ayarlamaya çalışmayın, bunlar üretim sırasında ayarlanmıştır**
- Planya derinliği ayarlama ⑦  
- planya derinliğini artırmak/azaltmak için düğmeyi D "+"/"- yönünde döndürün  
- gösterge E referans olarak kullanın  
- her zaman süğ bir planya derinliği seçin ve planyalama ve ayarlama sürecini tekrarlayarak gereken derinliğe erişin
- Çip çıkışı ⑧  
- elektrikli süpürgeyi F talaş çıkışına G adaptör ile resimde gösterildiği gibi bağlayın  
**! bıçaklar dönerken çip çıkışından herhangi bir engel temizlemeye çalışmayın**
- Aletin çalıştırılması  
- planya derinliğini ayarlayın  
- aleti iş parçası üzerine konumlandırın  
**! sadece ön pabucun iş parçası üzerinde durduğundan ve bıçakların dokunmadığından emin olun**  
- aleti çalıştırmak için önce düğmeye basın H ② (= killitenemeyen güvenlik şalteri) sonra tetiği J ② çekin  
**! bıçaklar iş parçasına erişmeden önce alet tam hızda çalışıyor olmalıdır**  
**! çalışma esnasında, aleti daima gri renkli bölge(ler)den tutun(uz) ⑨**  
- aleti iki elle sıkıca tutun ve elleri doğru kesintisiz bir hareketle iterek yönlendirin  
- aleti kullanırken taban plakası iş parçasının üzerinde olsun  
- istenmeyen planya çiziklerini önlemek için aleti eğmeyin

## ! aleti kapatmadan önce iş parçası üzerinden kaldırın

- tetiği J bırakarak aleti kapatın

## UYGULAMA

- Köşeleri pahlarken, ön pabuçtaki V-oyukları kullanın ⑩  
- köşeleri oyuğa benzer bir şekilde pahlamak için düğmeyi D "0" konumuna getirin  
- daha geniş oyuklar için düğmeyi D gerekli planya derinliği seçimine getirin  
**! başlanğıçta daima bir deneme parçası üzerinde deneme yapın**
- Daha fazla ipucu için [www.skil.com](http://www.skil.com) sitesini gezin

## BAKIM / SERVİS

- Bu alet profesyonel kullanımına yönelik değildir
- Aleti ve kablosunu daima temiz tutun (özellikle havalandırma yuvalarını L ②)
- ! temizlemeden önce, cihazın fişini prizden çekin**  
Dikkatli biçimde yürütülen bakım ve test yöntemlerine rağmen aleti arıza yapacak olursa, onarım SKIL elektrikli aletleri için yetkili bir serviste yapılmalıdır  
- aleti ambalajıyla birlikte satın alma belgenizde ekleyerek satıcınıza veya en yakın SKIL servisine ulaştırın (adresler ve aletin servis şemaları [www.skil.com](http://www.skil.com) adresinde listelenmiştir)

## ÇEVRE

- Elektrikli aletlerini, aksesuarları ve ambalajları evdeki çöp kutusuna atmayınız** (sadece AB ülkeleri için)  
- kullanılmış elektrikli aletleri, elektrik ve elektrikli eski cihazlar hakkındaki 2002/96/EC Avrupa yönergelerine göre ve bu yönergeler ulusal hukuk kurallarına göre uyarlanarak, ayrı olarak toplanmalı ve çevre şartlarına uygun bir şekilde tekrar değerlendirmeye gönderilmelidir  
- sembol ⑪ size bunu anımsatmalıdır

## CE UYGUNLUK BEYANI

- Yeğane sorumlu olarak, bu ürünün aşağıdaki standartlara veya standart belgelerine uygun olduğunu beyan ederiz: EN 60745, EN 61000, EN 55014, yönetmeliği hükümleri uyarınca 2004/108/EG, 2006/42/EG, 2011/65/EU
- Teknik belgelerin bulunduğu merkez:** SKIL Europe BV (PT-SEU/ENG1), 4825 BD Breda, NL

Marijn van der Hoofden  
Operations & Engineering

Olaf Dijkgraaf  
Approvals Manager

SKIL Europe BV, 4825 BD Breda, NL  
27.06.2013

## GÜRÜLTÜ/TİTREŞİM

- Ölçülen EN 60745 göre ses basıncı bu makinanın seviyesi 90 dB(A) ve çalışma sırasındaki gürültü 101 dB(A) (standart sapma: 3 dB), ve titreşim 5,1 m/s<sup>2</sup> (el-kol metodu; tolerans K = 1,5 m/s<sup>2</sup>)

- Titreşim emisyon seviyesi EN 60745'te sunulan standart teste göre ölçülmüştür; bu seviye, bir aleti bir başkasıyla karşılaştırmak amacıyla ve aletin söz konusu uygulamalarda kullanılması sırasında titreşime maruz kalma derecesinin ön değerlendirmesi olarak kullanılabilir
  - aletin farklı uygulamalar için veya farklı ya da bakımı yetersiz yapılmış aksesuarlarla kullanılması, maruz kalma seviyesini belirgin biçimde **artrabilir**
  - aletin kapalı olduğu veya çalıştığı ancak gerçek anlamda iş yapmadığı zamanlarda, maruz kalma seviyesi belirgin biçimde **azalabilir**
- ! **aletin ve aksesuarlarının bakımını yaparken, ellerinizi sıcak tutarak ve iş modellerinizi düzenleyerek kendinizi titreşimin etkilerinden koruyun**

PL

## Strug

1558

## WSTĘP

- Niniejsze elektronarzędzie znajduje zastosowanie do strugania materiałów z drzewa takich jak belki i deski; nadaje się również do ukosowania naroży
- Narzędzie nie jest przeznaczone do zastosowań profesjonalnych
- Przeczytać i zachować niniejszą instrukcję obsługi ③

## PARAMETRY TECHNICZNE ①

## ELEMENTY NARZĘDZIA ②

- A Schówek na klucz
- B Śruba mocująca
- C Śruby wałka tnącego
- D Pokrętko regulacji głębokości strugania
- E Wskaźnik głębokości strugania
- F Adapter odsysacza trocin
- G Wylot wiórów
- H Włłącznik bezpieczeństwa
- J Włłącznik/wyłłącznik
- K Rowek w kształcie litery V
- L Szczeliny wentylacyjne

## BEZPIECZEŃSTWO

### OGÓLNE PRZEPISY BEZPIECZEŃSTWA

**⚠ UWAGA! Należy przeczytać wszystkie wskazówki i przepisy.** Błędy w przestrzeganiu poniższych wskazówek mogą spowodować porażenie prądem, pożar i/lub ciężkie obrażenia ciała. **Należy starannie przechowywać wszystkie przepisy i wskazówki bezpieczeństwa dla dalszego zastosowania.** Użyte w poniższym tekście pojęcie "elektonarzędzie" odnosi się do elektronarzędzi zasilanych energią elektryczną z sieci (z przewodem zasilającym) i do elektronarzędzi zasilanych akumulatorami (bez przewodu zasilającego).

### 1) BEZPIECZEŃSTWO MIEJSCA PRACY

- a) **Miejsce pracy należy utrzymywać w czystości i**

**dobrze oświetlone.** Nieporządek lub nie oświetlone miejsce pracy mogą doprowadzić do wypadków.

- b) **Nie należy pracować tym narzędziem w otoczeniu zagrożonym wybuchem, w którym znajdują się np. łatwopalne cieczce, gazy lub pyły.** Elektronarzędzia wytwarzają iskry, które mogą podpałić ten pył lub parę.
  - c) **Elektonarzędzie trzymać podczas pracy z daleka od dzieci i innych osób.** Przy nieuważde można stracić kontrolę nad narzędziem.
- ### 2) BEZPIECZEŃSTWO ELEKTRYCZNE
- a) **Urządzenie musi pasować do gniazda. Nie wolno modyfikować wtyczki w jakikolwiek sposób. Nie należy używać wtyczek adapterowych razem z uziemnionymi narzędziami.** Niezmienione wtyczki i pasujące gniazda zmniejszają ryzyko porażenia prądem.
  - b) **Należy unikać kontaktu z uziemnionymi powierzchniami jak rury, grzejniki, piece i lodówki.** Istnieje zwiększone ryzyko porażenia prądem, gdy Państwa ciało jest uziemnione.
  - c) **Urządzenie należy przechowywać zabezpieczone przed deszczem i wilgocią.** Wniknięcie wody do elektronarzędzia podwyższa ryzyko porażenia prądem.
  - d) **Nigdy nie należy używać kabla do innych czynności. Nigdy nie używać kabla do noszenia urządzenia za kabel, zawieszenia lub do wyciągania wtyczki z gniazda. Kabel należy trzymać z daleka od wysokich temperatur, oleju, ostrych krawędzi lub ruchomych części urządzenia.** Uszkodzone lub poplątane kable zwiększają ryzyko porażenia prądem.
  - e) **W przypadku, kiedy elektronarzędziem pracuje się na świeżym powietrzu należy używać kabla przedłużającego, który dopuszczony jest do używania na zewnątrz.** Użycie dopuszczonego do używania na zewnątrz kabla przedłużającego zmniejsza ryzyko porażenia prądem.
  - f) **Jeżeli nie da się uniknąć zastosowania elektronarzędzia w wilgotnym otoczeniu, należy użyć wyłącznika ochronnego różnicowo-prądowego.** Zastosowanie wyłącznika ochronnego różnicowo-prądowego zmniejsza ryzyko porażenia prądem.
- ### 3) BEZPIECZEŃSTWO OSÓB
- a) **Należy być uważnym, uważać na to co się robi i pracę elektronarzędziem rozpocząć z rozsądkiem. Nie należy używać urządzenia gdy jest się zmęczonym lub pod wpływem narkotyków, alkoholu lub lekarstw.** Moment nieuważi przy użyciu urządzenia może doprowadzić do poważnych urażeń ciała.
  - b) **Należy nosić osobiste wyposażenie ochronne i zawsze okulary ochronne.** Noszenie osobistego wyposażenia ochronnego jak maska przeciwpyłowa, nie ślizgające się buty robocze, hełm ochronny lub ochrona słuchu, w zależności od rodzaju i zastosowania elektronarzędzia zmniejsza ryzyko obrażeń ciała.
  - c) **Należy unikać niezamierzonego uruchomienia narzędzia. Przed włożeniem wtyczki do gniazda i/lub podłączeniem do akumulatora, a także przed podniesieniem lub przeniesieniem elektronarzędzia, należy upewnić się, że elektronarzędzie jest wyłączone.** Trzymanie palca na wyłączniku podczas przenoszenia elektronarzędzia lub

- podłączenie do prądu włączonego narzędzia, może stać się przyczyną wypadków.
- d) **Zanim urządzenie zostanie włączone należy usunąć narzędzia nastawcze lub klucze.** Narzędzie lub klucz, które znajdują się w ruchomych częściach urządzenia mogą doprowadzić do obrażeń ciała.
  - e) **Nie należy przeceniać swoich możliwości. Należy dbać o bezpieczną pozycję pracy i zawsze utrzymywać równowagę.** Przez to możliwa jest lepsza kontrola urządzenia w nieprzewidzianych sytuacjach.
  - f) **Należy nosić odpowiednie ubranie. Nie należy nosić luźnego ubrania lub biżuterii. Włosy, ubranie i rękawice należy trzymać z daleka od ruchomych elementów.** Luźne ubranie, biżuteria lub długie włosy mogą zostać pociągnięte przez poruszające się części.
  - g) **W przypadku, kiedy możliwe jest zamontowanie urządzeń odsysających lub podchwytyjących należy upewnić się, czy są one właściwie podłączone i prawidłowo użyte.** Użycie urządzenia odsysającego pył może zmniejszyć zagrożenie pyłami.
- 4) UWAŻNE OBCOWANIE ORAZ UŻYCI E ELEKTRONARZĘDZIA**
- a) **Nie należy przeciążać urządzenia. Do pracy używać należy elektronarzędzia, które jest do tego przewidziane.** Odpowiednim narzędziem pracuje się lepiej i bezpieczniej w podanym zakresie sprawności.
  - b) **Nie należy używać elektronarzędzia, którego włącznik/wyłącznik jest uszkodzony.** Elektronarzędzie, którego nie można włączyć lub wyłączyć jest niebezpieczne i musi zostać naprawione.
  - c) **Przed regulacją urządzenia, wymianą osprzętu lub po zaprzestaniu pracy narzędziem, należy wyciągnąć wtyczkę z gniazda i/lub usunąć akumulator.** Ten środek ostrożności zapobiegnie niezamierzonemu włączeniu się urządzenia.
  - d) **Nie używane elektronarzędzia należy przechowywać poza zasięgiem dzieci. Nie należy udostępniać narzędzia osobom, które jego nie umieją lub nie przeczytały tych przepisów.** Używane przez niedoświadczonych osoby elektronarzędzia są niebezpieczne.
  - e) **Urządzenia należy starannie konserwować. Należy kontrolować, czy ruchome części urządzenia funkcjonują bez zarzutu i nie są zablokowane, czy części nie są pęknięte lub uszkodzone, co mogłoby mieć wpływ na prawidłowe funkcjonowanie urządzenia. Uszkodzone narzędzie należy przed użyciem urządzenia oddać do naprawy.** Wiele wypadków spowodowanych jest przez niewłaściwą konserwację elektronarzędzi.
  - f) **Osprzęt tnący należy utrzymywać ostry i czysty.** Starannie pielęgnowany osprzęt tnący z ostrymi krawędziami tnącymi blokuje się rzadziej i łatwiej się używa.
  - g) **Elektronarzędzia, osprzęt, narzędzia itd. należy używać odpowiednio do tych przepisów. Uwzględnić należy przy tym warunki pracy i czynność do wykonania.** Użycie elektronarzędzi do innych niż przewidziane prace może doprowadzić do niebezpiecznych sytuacji.
- 5) SERWIS**
- a) **Naprawę urządzenia należy zlecić jedynie kwalifikowanemu fachowcowi i przy użyciu**

**oryginalnych części zamiennych.** To gwarantuje, że bezpieczeństwo użytkowania zostanie zachowane.

## INSTRUKCJA BEZPIECZNEJ OBSŁUGI STRUGA

### OGÓLNE

- Narzędzie nie powinny używać dzieci poniżej 16 roku życia
- Poziom hałasu podczas pracy może przekraczać 85 dB(A); **używać nauszniki do ochrony słuchu** (4)
- Pył pochodzący z takich materiałów, jak farby zawierające ołów, niektóre gatunki drzewa, minerały i metal może być szkodliwy (kontakt z nim lub wdychanie takiego pyłu może powodować reakcje alergiczne i/lub niewydolność oddechową u operatora lub osób towarzyszących); **należy zakładać maskę przeciwpyłową** (5) **i pracować z urządzeniem odsysającym, jeżeli można je podłączyć**
- Niektóre rodzaje pyłu są zaklasyfikowane jako rakotwórcze (takie, jak pył dębu i buka) szczególnie w połączeniu z dodatkami do kondycjonowania drewna; **należy zakładać maskę przeciwpyłową** (5) **i pracować z urządzeniem odsysającym pył, jeżeli można je podłączyć**
- Należy stosować się do lokalnych wymogów dotyczących pracy w otoczeniu pyłu powstającego podczas obróbki materiału
- SKIL może zagwarantować bezawaryjne działanie narzędzia tylko przy korzystaniu z oryginalnego wyposażenia dodatkowego
- Pod żadnym pozorem nie wolno korzystać z narzędzia z uszkodzonym przewodem; zleć jego wymianę wykwalifikowanej osobie
- **Przed przystąpieniem do wykonywania jakichkolwiek czynności przy narzędziu, w czasie przerw w pracy jak również po jej zakończeniu wyjąć wtyczkę z gniazda sieciowego**

### PRZED UŻYCIEM

- Każdorazowo należy sprawdzać, czy napięcie zasilania jest zgodne z napięciem podanym na tabliczce znamionowej urządzenia (narzędzia na napięcie znamionowe 230V lub 240V zasilane można także napięciem 220V)
- Uważa na gwoździe, śruby i inne twarde przedmioty; przed przystąpieniem do obróbki powinny być usunięte z obrabianego przedmiotu; usunąć je przed rozpoczęciem pracy
- Przed użyciem narzędzia sprawdzić, czy noże o nic nie ocierają
- W przypadku korzystania z kabla przedłużającego należy zwrócić uwagę, aby był maksymalnie nawinięty na bęben oraz był przystosowany do przewodzenia prądu o natężeniu przynajmniej 16 A
- **Używać kleszczy lub innych narzędzi do zabezpieczenia i podparcia obrabianego materiału do stabilnej powierzchni** (trzymanie części w ręku lub opieranie jej o ciało może prowadzić do utraty kontroli)

### PODCZAS UŻYWANIA

- **Elektronarzędzie należy dotykać jedynie przy izolowanych powierzchniach uchwytu, ponieważ przecinak może dotknąć własnego przewodu** (przecięcie przewodów pod napięciem może spowodować pojawienie się napięcia na metalowych elementach narzędzia i porażenie operatora prądem)
- Kabel zasilający powinien stale znajdować się



w bezpiecznej odległości od wirującej części elektronarzędzia; kabel zasilający zawsze prowadzić z tyłu elektronarzędzia

- Trzymać palce z daleka od wirujących noży
- W przypadku wadliwego działania mechanicznych lub elektrycznych elementów urządzenia, należy bezwzględnie odłączyć narzędzie i wyjąć wtyczkę
- W przypadku uszkodzenia lub przecięcia przewodu podczas pracy, nie wolno go dotykać, tylko należy natychmiast wyciągnąć z gniazdka wtyczkę
- Jeżeli jakkolwiek zrębek drewna zaklinuje się w otworze wiórowym, wyłączyć silnik i sprawdzić czy wszystkie części ruchome zatrzymały się, wyciągnąć wtyczkę i usunąć zaklinowany zrębek

#### PO UŻYCIU

- **Przed odłożeniem struga odczekać, aż wałek tnący się zatrzyma** (wystający nóż, uderzając o podłoże, może doprowadzić do utraty panowania nad narzędziem i poważnego zranienia)

## UŻYTKOWANIE

- Wymiana/obracanie noży ⑥  
Strug jest wyposażony w jednorazowe noże, z obustronnym ostrzem; kiedy jedna strona ulegnie stępieniu, należy przelożyć na drugą stronę  
**! wyłączyć narzędzie i wyciągnij wtyczkę z gniazdka**
  - wyjąć klucz ze schowka A
  - odwrócić narzędzie do góry nogami
  - poluzować kluczykiem 3 śruby B (nie wyjmować śrub)
  - kawałkiem drewna wypchnąć nóż z wałka tnącego
  - włożyć w wałek nowy nóż lub stary w odwrotnej pozycji**! rowek w nożu powinien być zgrany z krawędzią wałka tnącego**  
**! oba końce noża powinny wystawać jednakowo**
  - mocno dokręcić kluczem 3 śruby mocujące**! wymieniać/obracać noże na czas; używać tylko ostrych noży**  
**! zawsze wymieniać/obracać od razu oba noże**  
**! nie usiłować regulować noży fabrycznie ustawionymi wałkami tnącymi śruby C**
- Ustawianie głębokości strugania ⑦
  - przekręcić gałkę D w kierunku "+"/"-", aby zwiększyć/zmniejszyć głębokość strugania
  - wskaźnik E stosować jako punktu odniesienia
  - zawsze należy wybierać niewielką grubość zbierania; powtarzać czynności regulacji i strugania aż do uzyskaniażądanego wymiaru
- Wylot wiórów ⑧
  - podłączyć odkurzacz z przystawką F wybranego wylotu wiórów G jak pokazano na ilustracji
  - ! nie wolno próbować usuwać jakichkolwiek zanieczyszczeń z wylotu wiórów przy obracających się nożach**
- Obsługa narzędzia
  - ustawić głębokość strugania
  - ustawić narzędzie na obrabianym przedmiocie
  - ! upewnić się, że tylko przedni ślizg spoczywa na obrabianym przedmiocie, a noże go nie dotykają**
  - włączyć narzędzie naciskając najpierw przycisk H ② (= nieblokujący się wyłącznik bezpieczeństwa), a następnie odciągając spust J ②
  - ! zanim noże dotkną materiału, narzędzie musi**

**osiągnąć maksymalne obroty**

**! podczas pracy zawsze trzymać narzędzie za uchwyt(y) ograniczone szarym kolorem ⑨**

- narzędzie należy trzymać mocno obiema rękami i przesuwać je z jednostajną prędkością
- podczas używania narzędzia należy opierać jego podstawę na obrabianym przedmiocie
- aby uniknąć niepożądanych śladów strugania, nie należy przechylać narzędzia

**! przed wyłączeniem narzędzia należy unieść je ponad obrabiany przedmiot**

- wyłączyć narzędzie zwalniając spust J

## WSKAZÓWKI UŻYTKOWANIA

- Do ukosowania naroży wykorzystać rowki w kształcie litery V w przednim kločku ⑩
  - ustawić gałkę D w pozycji "0", aby ukosować krawędzie zgodnie z rozmiarem rowka
  - w przypadku większych rowków przekręcić gałkę D, aby wybrać wymaganą głębokość strugania**! zawsze wypróbować na kawałku zbędnego materiału**
- Więcej wskazówek można znaleźć pod adresem [www.skil.com](http://www.skil.com)

## KONSERWACJA / SERWIS

- Narzędzie nie jest przeznaczone do zastosowań profesjonalnych
- Zawsze dbać o czystość narzędzia i przewodu zasilającego (a szczególnie otworów wentylacyjnych L ②)  
**! przed przystąpieniem do czyszczenia należy wyjąć wtyk z gniazda sieciowego**
- Jeśli narzędzie, mimo dokładnej i wszechstronnej kontroli produkcyjnej ulegnie kiedykolwiek awarii, naprawę powinien przeprowadzić autoryzowany serwis elektronarzędzi firmy SKIL
  - odesłać **nierozebrany** narzędzie, wraz z dowodem zakupu, do dealera lub do najbliższego punktu usługowego SKIL (adresy oraz diagram serwisowy narzędzenia znajdują się na stronach [www.skil.com](http://www.skil.com))

## ŚRODOWISKO

- **Nie wyrzucaj elektronarzędzi, akcesoriów i opakowania wraz z odpadami z gospodarstwa domowego** (dotyczy tylko państw UE)
  - zgodnie z Europejską Dyrektywą 2002/96/WE w sprawie zużytego sprzętu elektrotechnicznego i elektronicznego oraz dostosowaniem jej do prawa krajowego, zużyte elektronarzędzia należy posegregować i zutylizować w sposób przyjazny dla środowiska
  - w przypadku potrzeby pozbycia się narzędzia, akcesoriów i opakowania - symbol ⑪ przypomni Ci o tym

## ДЕКЛАРАЦИЯ ЗГОДНОСТИ CE

- Niniejszym oświadczamy ponosząc osobistą odpowiedzialność, że produkt wykonany jest zgodnie z następującymi normami i dokumentami normalizującymi: EN 60745, EN 61000, EN 55014, z godnie z wytycznymi 2004/108/EU, 2006/42/EU, 2011/65/UE
- **Дokumentacja techniczna:** SKIL Europe BV (PT-SEU/ENG1), 4825 BD Breda, NL

Marijn van der Hoofden  
Operations & Engineering

Olaf Dijkgraaf  
Approvals Manager

SKIL Europe BV, 4825 BD Breda, NL  
27.06.2013

### HAŁASU/WIBRACJE

- Pomiarów dokonano zgodnie z normą EN 60745 ciśnienie akustyczne narzędzia wynosi 90 dB(A) zaś poziom mocy akustycznej 101 dB(A) (poziom odchylenie: 3 dB), zaś wibracje 5,1 m/s<sup>2</sup> (metoda dłoń- ręka; błąd pomiaru K = 1,5 m/s<sup>2</sup>)
- Poziom emisji wibracji został zmierzony zgodnie z testem standaryzowanym podanym w EN 60745; może służyć do porównania jednego narzędzia z innym i jako ocena wstępna narażenia na wibracje w trakcie używania narzędzia do wymienionych zadań
  - używanie narzędzia do innych zadań, lub z innymi albo złe utrzymaniami akcesoriów, może znacząco **zwiększyć** poziom narażenia
  - przypadki, kiedy narzędzie jest wyłączone lub jest czynne, ale aktualnie nie wykonuje zadania, mogą znacząco **zmniejszyć** poziom narażenia

**! należy chronić się przed skutkami wibracji przez konserwację narzędzia i jego akcesoriów, zakładanie rękawic i właściwą organizację pracy**

RU

**Рубанок 1558**

### ВВЕДЕНИЕ

- Электроинструмент предназначен для строгания древесных поверхностей, таких как брусья и доски, а также для снятия фанки с кромок обрабатываемых предметов
- Данный инструмент не подходит для промышленного использования
- Прочитайте и сохраните с данной инструкцией ③

### ТЕХНИЧЕСКИЕ ДАННЫЕ ①

#### ДЕТАЛИ ИНСТРУМЕНТА ②

- A Отделение для хранения ключа
- B Зажимной болт
- C Винты резцового блока
- D Ручка установки глубины строгания
- E Индикатор глубины строгания

- F Адаптер пылесоса
- G Отверстие для выброса стружки
- H Защитный выключатель
- J Выключатель вкл/выкл
- K V-образный паз
- L Вентиляционные отверстия

## БЕЗОПАСНОСТЬ

### ОСНОВНЫЕ ИНСТРУКЦИИ ПО ТЕХНИКЕ БЕЗОПАСНОСТИ

**⚠ ВНИМАНИЕ! Прочтите все указания и инструкции по технике безопасности.** Упущения, допущенные при соблюдении указаний и инструкций по технике безопасности, могут стать причиной электрического поражения, пожара и тяжелых травм. **Сохраняйте эти инструкции и указания для будущего использования.** Используемое в настоящих инструкциях и указаниях понятие "электроинструмент" распространяется на электроинструмент с питанием от сети (с кабелем питания от электросети) и на аккумуляторный электроинструмент (без кабеля питания от электросети).

#### 1) БЕЗОПАСНОСТЬ РАБОЧЕГО МЕСТА

- a) **Соблюдайте чистоту и поддерживайте надлежащую освещенность на рабочем месте.** Беспорядок на рабочем месте или его плохое освещение могут привести к несчастным случаям.
- b) **Не используйте с электроинструментом во взрывоопасной среде, т.е. в непосредственной близости от легковоспламеняющихся жидкостей, газов или пыли.** В процессе работы электроинструмент искрит и искры могут воспламенить газы или пыль.
- c) **При работе с электроинструментом не допускайте детей или посторонних на Ваше рабочее место.** Отвлечение Вашего внимания может привести к потере контроля над работой инструмента.

#### 2) ЭЛЕКТРИЧЕСКАЯ БЕЗОПАСНОСТЬ

- a) **Штепсельная вилка кабеля питания электроинструмента должна соответствовать розетке электросети. Не вносите никаких изменений в конструкцию вилки. Не используйте адапторы для электроинструмента с защитным заземлением.** Заводские штепсельные вилки и соответствующие им сетевые розетки существенно снижают вероятность электрошока.
- b) **Избегайте механических контактов с такими заземленными поверхностями, как трубопроводы, системы отопления, плиты и холодильники.** При соприкосновении человека с заземленными предметами во время работы инструментом вероятность электрошока существенно возрастает.
- c) **Оберегайте электроинструмент от воздействия дождя и влаги.** Попадание воды в электроинструмент повышает вероятность электрического удара.

- d) **Используйте кабель строго по назначению. Не допускается тянуть и передвигать электроинструмент за кабель или использовать кабель для вытягивания вилки из розетки. Оберегайте кабель инструмента от воздействия высоких температур, масла, острых кромок или движущихся частей электроинструмента. Поврежденный или спутанный кабель повышает возможность электрического удара.**
- e) **При работе на улице используйте удлинитель, предназначенный для работы вне помещения. Использование такого удлинителя снижает вероятность электрического удара.**
- f) **Если невозможно избежать применения электроинструмента в сыром помещении, то устанавливайте устройство защиты от утечки в землю. Использование устройства защиты от утечки в землю снижает риск электрического поражения.**
- 3) ЛИЧНАЯ БЕЗОПАСНОСТЬ**
- a) **Будьте внимательны, следите за тем, что Вы делаете и выполняйте работу обдуманно. Не пользуйтесь электроинструментом, если Вы устали или находитесь под воздействием транквилизаторов, алкоголя или медицинских препаратов. Секундная потеря концентрации в работе с электроинструментом может привести к серьезным травмам.**
- b) **Используйте средства индивидуальной защиты. Защитные очки обязательны. Средства индивидуальной защиты, такие как противопылевой респиратор, несכולзькая защитная обувь, шлем-каска, средства защиты органов слуха применяются в соответствующих условиях работы обстоятельствах и минимизируют возможность получения травм.**
- c) **Предотвращайте непреднамеренное включение электроинструмента. Перед подключением электроинструмента к электросети и/или к аккумулятору убедитесь в выключенном состоянии электроинструмента. Если Вы при транспортировке электроинструмента держите палец на выключателе или включенный электроинструмент подключаете к сети питания, то это может привести к несчастному случаю.**
- d) **Во избежание травм перед включением инструмента удалите регулировочный или гаечный ключ из вращающейся части инструмента.**
- e) **Не переоценивайте свои возможности. Твердо стойте на ногах и удерживайте равновесие. В таком положении вы сможете лучше контролировать инструмент в неожиданных ситуациях.**
- f) **Используйте подходящую рабочую одежду. Не надевайте свободную одежду и украшения. Волосы, одежда и перчатки должны находиться подальше от движущихся частей электроинструмента. Свободная одежда, украшения или длинные волосы легко могут попасть в движущиеся части электроинструмента.**
- g) **При наличии пылеотсасывающих и пылесборных приспособлений убедитесь в**

том, что они подсоединены и используются надлежащим образом. Применение пылеотсоса может снизить опасности, создаваемые пылью.

#### **4) ЭКСПЛУАТАЦИЯ И УХОД ЗА ЭЛЕКТРОИНСТРУМЕНТОМ**

- a) **Не перегружайте инструмент. Используйте тот инструмент, который предназначен для данной работы. С подходящим инструментом Вы выполните работу лучше и надежнее, используя весь диапазон его возможностей.**
- b) **Не используйте инструмент с неисправным выключателем. Инструмент с неисправным выключателем опасен и подлежит ремонту.**
- c) **До начала наладки электроинструмента, замены принадлежностей или прекращения работы отключайте штепсельную вилку от розетки сети и/или выньте аккумулятор. Данная мера предосторожности предотвращает случайное включение инструмента.**
- d) **Храните неиспользуемый электроинструмент в недоступном для детей месте и не позволяйте использовать его лицам, не умеющим с ним обращаться или не ознакомленным с инструкцией по эксплуатации. Электроинструменты представляют собой опасность в руках неопытных пользователей.**
- e) **Электроинструмент требует надлежащего ухода. Проверьте безупречность функции подвижных частей, лёгкость их хода, целостность всех частей и отсутствие повреждений, которые могут негативно сказаться на работе инструмента. При обнаружении повреждений сдайте инструмент в ремонт. Большое число несчастных случаев связано с неудовлетворительным уходом за электроинструментом.**
- f) **Режущие части инструмента необходимо поддерживать в заточенном и чистом состоянии. При надлежащем уходе за режущими принадлежностями с острыми кромками они режут заклиниваются и инструмент лучше поддается контролю.**
- g) **Используйте электроинструмент, принадлежности, биты и т.д. в соответствии с данными инструкциями, исходя из особенностей условий и характера выполняемой работы. Использование электроинструмента не по назначению может привести к опасным последствиям.**
- 5) СЕРВИСНОЕ ОБСЛУЖИВАНИЕ**
- a) **Передавайте инструмент на сервисное обслуживание только квалифицированному персоналу, использующему только подлинные запасные части. Это обеспечит сохранение безопасности электроинструмента.**

#### **ИНСТРУКЦИЯ ПО ТЕХНИКЕ БЕЗОПАСНОСТИ ЭКСПЛУАТАЦИИ РУБАНКА**

##### **ОБЩЕЕ**

- Инструмент нельзя использовать лицам в возрасте до 16 лет
- Поскольку уровень шума при работе данного

инструмента может превышать 80 dB(A); **всегда используйте защиту для ушей** ④

- Пыль от таких материалов, как свинцовосодержащая краска, некоторые породы дерева, минералы и металл, может быть вредна (контакт с такой пылью или ее вдыхание может стать причиной возникновения у оператора или находящихся рядом лиц аллергических реакций и/или респираторных заболеваний); **надевайте респиратор** ⑤ **и работайте с пылеудаляющим устройством при включении инструмента**
- Некоторые виды пыли классифицируются как канцерогенные (например, дубовая или буковая пыль), особенно в сочетании с добавками для кондиционирования древесины; **надевайте респиратор** ⑤ **и работайте с пылеудаляющим устройством при включении инструмента**
- Следуйте принятым в вашей стране требованиям/нормативам относительно пыли для тех материалов, с которыми вы собираетесь работать
- SKIL обеспечивает надежную работу инструмента только при использовании соответствующих приспособлений
- Никогда не используйте инструмент, если сетевой шнур поврежден; необходимо, чтобы квалифицированный специалист заменил сетевой шнур
- **Перед регулировкой или сменой принадлежностей обязательно выньте вилку из сетевой розетки**

#### ПЕРЕД ИСПОЛЬЗОВАНИЕМ

- Обязательно убедитесь, что напряжение питания соответствует напряжению, указанному на фирменном штепселе инструмента (инструменты, рассчитанные на напряжение 230 В или 240 В, можно подключать к питанию 220 В)
- Избегайте повреждений, которые могут быть вызваны винтами, гвоздями и прочими элементами, находящимися в обрабатываемом предмете; перед началом работы их нужно удалить
- Перед использованием инструмента убедитесь в том, что ножи имеют свободный ход
- Используйте полностью размотанные и безопасные удлинители, рассчитанные на ток не менее 16 А
- **Используйте струбцины или другой удобный способ для крепления изделия к прочной платформе и его поддержки** (если держать изделие в руках или прижимать к телу, оно будет недостаточно зафиксировано, что может привести к потере контроля)

#### ВО ВРЕМЯ ИСПОЛЬЗОВАНИЯ

- **Держите электроинструмент за изолированные поверхности рукояток, т.н. режущий инструмент может соприкоснуться со шнуром** (перерезание провода под напряжением может вызвать подачу напряжения на открытые металлические части электроинструмента и привести к поражению оператора)
- Следите за тем, чтобы сетевой шнур не находился рядом с движущимися деталями инструмента; нужно всегда направлять электрический шнур к задней части инструмента, исключая его захват инструментом
- Не прикасайтесь пальцами к вращающимся лезвиям
- В случае любой электрической или механической

неисправности немедленно выключите инструмент и выньте вилку из розетки

- При повреждении или разрезании сетевого шнура во время работы не прикасайтесь к нему, и немедленно выньте вилку из розетки
- В случае, если узел выброса забит строгальной стружкой, необходимо выключить двигатель, дождаться полной остановки всех движущихся деталей, отсоединить вилку кабеля от сети и удалить застрявшую стружку

#### ПОСЛЕ ИСПОЛЬЗОВАНИЯ

- **Дождитесь остановки ножевого вала прежде чем поставить инструмент на место** (открытый ножевой вал может зацепить поверхность, что приведет к потере контроля над инструментом и нанесению тяжелых травм)

## ИСПОЛЬЗОВАНИЕ

- Заменить/перевернуть лезвия ⑥  
Рубанок оборудован лезвиями, которые не подлежат повторному заточиванию; лезвия имеют режущие кромки с обеих сторон; если одна кромка затупилась, можно использовать другую  
**! выключите инструмент и отсоедините сетевой шнур**
  - возьмите ключ из отделения А
  - переверните инструмент вверх дном
  - с помощью ключа ослабьте 3 болта В (болты не удаляйте)
  - достаньте лезвие из режущей головки с помощью деревянного клина
  - установите лезвие в режущую головку другой стороной или установите новое лезвие
  - ! паз лезвия должен совпасть с краем резцового блока**
  - ! оба конца лезвия должны выступать на одинаковое расстояние**
  - крепко затяните 3 болта В с помощью ключа
  - ! вовремя заменяйте/переворачивайте лезвия; работайте только с острыми лезвиями**
  - ! всегда заменяйте оба лезвия одновременно**
  - ! не пытайтесь отрегулировать лезвия с помощью винтов резцового блока С – они установлены изготовителем**
- Регулировка глубины строгания ⑦
  - поверните ручку D в направлении "+" / "-" для увеличения/уменьшения глубины строгания
  - используйте индикатор E в качестве указателя
  - всегда выбирайте меньшую глубину строгания и продолжайте строгание и регулировку до достижения нужной глубины
- Отверстие для выброса стружки ⑧
  - присоедините пылесос с помощью переходника F к отверстию для выброса стружки G, как показано на рисунке
  - ! не пытайтесь удалять забившиеся стружки из отверстия для пыли во время вращения лезвий**
- Использование инструмента
  - отрегулируйте глубину строгания
  - установите инструмент на изделие
  - ! убедитесь, что только передний башмак лежит на изделии, и что лезвия не касаются его**

- включите инструмент, сначала нажав ручку H ② (= предохранительный выключатель, который не фиксируется) затем нажмите курок J ②
- ! **перед тем, как опустить инструмент на изделия и начать работу, дождитесь, пока инструмент наберёт полную скорость**
- ! **во время работы, всегда держите инструмент за места правильного хвата, которые обозначены серым цветом ③**
- держите инструмент обеими руками и направляйте его вперёд непрерывным движением
- основание инструмента полностью должно лежать на изделии
- не наклоняйте инструмент, чтобы избежать нежелательных срезов
- ! **перед тем как выключить инструмент, его следует поднять над обрабатываемым изделием**
- выключите инструмент, отпустив курок J

## СОВЕТЫ ПО ИСПОЛЬЗОВАНИЮ

- Для снятия фасок используйте V-образный паз в переднем упоре ⑩
- установите ручку D в положении "0" для снятия фасок в соответствии с пазом
- для пазов большего размера поверните ручку D, чтобы выбрать необходимую глубину строгания
- ! **всегда сначала тестируйте на образце металла**
- См дополнительную информацию на сайте [www.skil.com](http://www.skil.com)

## ТЕХОБСЛУЖИВАНИЕ / СЕРВИС

- Данный инструмент не подходит для промышленного использования
- Всегда содержите инструмент и его шнур в чистоте (особенно вентиляционные отверстия L ②)
- ! **перед чисткой инструмента выньте вилку из розетки**
- Если инструмент, несмотря на тщательные методы изготовления и испытания, выйдет из строя, то ремонт следует производить силами авторизованной сервисной мастерской для электроинструментов фирмы SKIL
- отправьте **неразобранный** инструмент со свидетельством покупки Вашему дилеру или в ближайшую станцию обслуживания фирмы SKIL (адреса и схема обслуживания инструмента приведены в вебсайте [www.skil.com](http://www.skil.com))

## ОХРАНА ОКРУЖАЮЩЕЙ СРЕДЫ

- **Не выкидывайте электроинструмент, принадлежности и упаковку вместе с бытовым мусором** (только для стран ЕС)
- во исполнение европейской директивы 2002/96/ЕС об утилизации отслужившего свой срок электрического и электронного оборудования и в соответствии с действующим законодательством, утилизация электроинструментов производится отдельно от других отходов на предприятиях, соответствующих условиям экологической безопасности

- значок ⑪ напомним Вам об этом, когда появится необходимость сдать электроинструмент на утилизацию

## ДЕКЛАРАЦИЯ О СООТВЕТСТВИИ СТАНДАРТАМ СЕ

- Мы с полной ответственностью заявляем, что это изделие соответствует следующим стандартам или стандарта ртизованным документам: EN 60745, EN 61000, EN 55014, в соответствии с инструкциями 2004/108/ЕС, 2006/42/ЕС, 2011/65/ЕС
- **Техническая документация у:** SKIL Europe BV (PT-SEU/ENG1), 4825 BD Breda, NL

Marijn van der Hoofden      Olaf Dijkgraaf  
Operations & Engineering      Approvals Manager




SKIL Europe BV, 4825 BD Breda, NL

27.06.2013

- Информация о сертификате соответствия расположена на последней странице настоящей Инструкции
- Сертификаты соответствия хранятся по адресу: ООО "Роберт Бош" ул. Акад. Королёва, 13, стр. 5 Россия, 129515, Москва **С января 2014 г.** Вашутинское шоссе, влад. 36 Россия, 141446 г.о. Химки

## ШУМНОСТИ/ВИБРАЦИИ

- При измерении в соответствии со стандартом EN 60745 уровень звукового давления для этого инструмента составляет 90 дБ (А) и уровень звуковой мощности - 101 дБ (А) (стандартное отклонение: 3 дБ), и вибрации - 5,1 м/с<sup>2</sup> (по методу для рук; недостоверность K = 1,5 м/с<sup>2</sup>)
- Уровень вибрации был измерен в соответствии со стандартизированным испытанием, содержащимся в EN 60745; данная характеристика может использоваться для сравнения одного инструмента с другим, а также для предварительной оценки воздействия вибрации при использовании данного инструмента для указанных целей
- при использовании инструмента в других целях или с другими/неисправными вспомогательными приспособлениями уровень воздействия вибрации может значительно **повышаться**
- в периоды, когда инструмент отключен или функционирует без фактического выполнения работы, уровень воздействия вибрации может значительно **снижаться**
- ! **защищайте себя от воздействия вибрации, поддерживая инструмент и его вспомогательные приспособления в исправном состоянии, поддерживая руки в тепле, а также правильно организовав свой рабочий процесс**

## Стругальний рубанок

1558

### ВСТУП

- Цей інструмент призначений для стругання матеріалів з деревини, таких як бруси та дошки; він також може використовуватись для отісування гострих кутів
- Цей інструмент не придатний для промислового використання
- Прочитайте і збережіть цю Інструкцію з експлуатації ③

### ТЕХНІЧНІ ДАНІ ①

### ЕЛЕМЕНТИ ІНСТРУМЕНТА ②

- A Контейнер для збереження ключа
- B Затискний болт
- C Гвинти тримача леза ножа
- D Ручка встановлення глибини стругання
- E Індикатор глибини стругання
- F Адаптер пиლოსосу
- G Отвір для видалення стружки
- H Аварійний вимикач
- J Вимикач живлення
- K V-подібний паз
- L Вентиляційні отвори

### БЕЗПЕКА

#### ЗАГАЛЬНІ ВКАЗІВКИ З ТЕХНІКИ БЕЗПЕКИ

**⚠ УВАГА! Прочитайте всі попередження і вказівки.** Недодержання попереджень і вказівок може призводити до удару електричним струмом, пожежі та/або серйозних травм. **Добре зберігайте на майбутнє ці попередження і вказівки.** Під поняттям "електроприлад" в цих попередженнях мається на увазі електроприлад, що працює від мережі (з електрокабелем) або від акумуляторної батареї (без електрокабелю).

#### 1) БЕЗПЕКА НА РОБОЧОМУ МІСЦІ

- a) **Примайте своє робоче місце в чистоті та прибирайте його.** Безлад або погане освітлення на робочому місці можуть призводити до нещасних випадків.
- b) **Не працюйте з приладом у середовищі, де існує небезпека вибуху внаслідок присутності горючих рідин, газів або пилу.** Електроприлади можуть породжувати іскри, від яких може займатися пил або пари.
- c) **Під час працювання з приладом не підпускайте до робочого місця дітей та інших людей.** Ви можете втратити контроль над приладом, якщо Ваша увага буде відвернута.

#### 2) ЕЛЕКТРИЧНА БЕЗПЕКА

- a) **Штепсель приладу повинен пасувати до розетки. Не дозволяється що-небудь міняти в штепселі. Для роботи з приладами, що мають**

**захисне заземлення, не використовуйте адаптери.** Використання оригінального штепселя та належної розетки зменшує ризик удару електричним струмом.

- b) **Уникайте контакту частей тіла із заземленими поверхнями, як напр., трубами, батареями опалення, печами та холодильниками.** Коли Ваше тіло заземлене, існує збільшена небезпека удару електричним струмом.
- c) **Захищайте прилад від дощу та вологи.** Попадання води в електроінструмент збільшує ризик удару електричним струмом.
- d) **Не використовуйте кабель для перенесення приладу, підвішування або витягування штепселя з розетки. Захищайте кабель від жару, олії, гострих країв та деталей приладу, що рухаються.** Пошкодження або закручений кабель збільшує ризик удару електричним струмом.
- e) **Для зовнішніх робіт обов'язково використовуйте лише такий подовжувач, що допущений для зовнішніх робіт.** Використання подовжувача, що розрахований на зовнішні роботи, зменшує ризик удару електричним струмом.
- f) **Якщо не можна запобігти використанню електроприладу у вологому середовищі, використовуйте пристрій захисту від витоків в землю.** Використання зристою захисту від витоків в землю зменшує ризик удару електричним струмом.

#### 3) БЕЗПЕКА ЛЮДЕЙ

- a) **Будьте уважними, слідкуйте за тим, що Ви робите, та розсудливо поведіться під час роботи з електроприладом. Не користуйтеся приладом, якщо Ви стомлені або знаходитесь під дією наркотиків, спиртних напоїв або лік.** Мить неувважності при користуванні приладом може призводити до серйозних травм.
- b) **Вдягайте особисте захисне спорядження та обов'язково вдягайте захисні окуляри.** Вдягання особистого захисного спорядження, як напр., - в залежності від виду робіт - захисної маски, спецвзуття, що не ковзається, наски або навушників, зменшує ризик травм.
- c) **Уникайте ненавмисного вмикання. Перш ніж вмикати електроприлад в електромережу або встроювати акумуляторну батарею, брати його в руки або переносити, впевніться в тому, що електроприлад вимкнений.** Тримання пальця на вимикачі під час перенесення електроприладу або встроювання в розетку увімкненого приладу може призводити до травм.
- d) **Перед тим, як вмикати прилад, приберіть налагоджувальні інструменти та гайковий ключ.** Знаходження налагоджувального інструмента або ключа в деталі, що обертається, може призводити до травм.
- e) **Не переоцінюйте себе. Зберігайте стійне положення та завжди зберігайте рівновагу.** Це дозволить Вам краще зберігати контроль над приладом у несподіваних ситуаціях.
- f) **Вдягайте придатний одяг. Не вдягайте просторий одяг та прикраси. Не підставляйте волосся, одяг та рукавиці близько до деталей**

приладу, що рухаються. Просторий одяг, прикраси та довге волосся можуть попадати в деталі, що рухаються.

- g) **Якщо існує можливість монтувати пиловідсмоктувальні або пилоуловлювальні пристрої, перенаяйтеся, щоб вони були добре під'єднані та правильно використовувалися.** Використання пиловідсмоктувального пристрою може зменшити небезпеки, зумовлені пилом.
- 4) **ПРАВИЛЬНЕ ПОВОДЖЕННЯ ТА КОРИСТУВАННЯ ЕЛЕКТРОПРИЛАДАМИ**
- a) **Не перевантажуйте прилад. Використовуйте такий прилад, що спеціально призначений для певної роботи.** З придатним приладом Ви з меншим ризиком отримаєте кращі результати роботи, якщо будете працювати в зазначеному діапазоні потужності.
- b) **Не користуйтеся приладом з пошкодженим вимикачем.** Прилад, який не можна увімкнути або вимкнути, є небезпечним і його треба відремонтувати.
- c) **Перед тим, як регулювати що-небудь на приладі, міняти приладдя або ховати прилад, витягніть штепсель із розетки та/або витягніть акумуляторну батарею.** Ці попереджувальні заходи з техніки безпеки зменшують ризик ненавмисного запуску приладу.
- d) **Зберігайте електроприлади, якими Ви саме не користуєтесь, далеко від дітей. Не дозволяйте користуватися електроприладом особам, що не знайомі з його роботою або не читали ці вказівки.** У разі застосування недосвідченими особами прилади несуть в собі небезпеку.
- e) **Старанно доглядайте за приладом. Перевірте, щоб рухомі деталі приладу бездоганно працювали та не заїдали, не були поламаними або настільки пошкодженими, щоб це могло вплинути на функціонування приладу. Пошкоджені деталі треба відремонтувати в авторизованій майстерні, перш ніж ними можна знову користуватися.** Велика кількість нещасних випадків спричиняється поганим доглядом за електроприладами.
- f) **Тримайте різальні інструменти добре нагостреними та в чистоті.** Старанно доглянуті різальні інструменти з гострим різальним краєм менше застряють та їх легше вести.
- g) **Використовуйте електроприлади, приладдя до них, робочі інструменти т.і. відповідно до цих вказівок. Беріть до уваги при цьому умови роботи та специфіку виконуваної роботи.** Використання електроприладів для робіт, для яких вони не передбачені, може призводити до небезпечних ситуацій.
- 5) **СЕРВІС**
- a) **Відавайте свій прилад на ремонт лише кваліфікованим фахівцем та лише з використанням оригінальних запчастин.** Це забезпечить безпеку приладу на довгий час.

## ВКАЗІВКИ З ТЕХНІКИ БЕЗПЕКИ ПІД ЧАС ЕКСПЛУАТАЦІЇ РУБАНКА

### ЗАГАЛЬНЕ

- Цей інструмент не можна використовувати особам віком до 16 років
- Рівень шуму при роботі може перевищувати 85 дБ(а); **використовуйте навушники** ④
- Пил від таких матеріалів, як свинцовоутримуюча фарба, деякі породи дерева, мінерали й метал, може бути шкідливим (контакт із таким пилом або його вдихання може стати причиною виникнення в оператора або осіб, що перебувають поруч, алергічних реакцій і/або респіраторних захворювань); **надягайте респіратор** ⑤ і **працюйте з пиловидальючим пристроєм під час увімкнення інструмента**
- Деякі види пилу класифікуються як канцерогенні (наприклад, дубовий або буковий пил), особливо в сполученні з добавками для кондиціонування деревини; **надягайте респіратор** ⑤ і **працюйте з пиловидальючим пристроєм під час увімкнення інструмента**
- Слідуйте інструкціям по роботі з матеріалами, продукуючими пил
- SKIL гарантує надійну роботу інструмента тільки при використанні відповідного приладдя
- Ніколи не використовуйте інструмент з пошкодженим шнуром; його повинен замінити кваліфікований фахівець
- **Перед регулюванням або заміною приладдя обов'язково вийміть вилку із сітьової розетки**

### ПЕРЕД ВИКОРИСТАННЯМ

- Перед роботою перевірте відповідність струму в мережі із струмом, позначені на інструменті (інструменти, розраховані на 230В або 240В, також можуть підключатися до мережі 220В)
- Не допускайте пошкодження, які можуть нанести шурупи, цвяхи і інші елементи вашому виробу; видаліть їх перед початком роботи
- Перш, ніж використовувати рубанок, перевірте, щоб ножі ні за що не чіплялись
- Використовуйте повністю розгорнений шнур подовжувача, який може витримувати навантаження в 16 Ампер
- **Застосуйте затисначі або інші засоби фіксації та опори виробу на стабільній платформі** (затискання виробу руками або з притискуванням до тіла робить його нестабільним та може призвести до втрати контролю за інструментом)

### ПІД ЧАС ВИКОРИСТАННЯ

- **Тримайте електричний інструмент за ізольовані рукоятки, тому що ніж може може зачепити власний шнур живлення** (перерізання дроту під напругою призведе до проходження електричного струму через металеві деталі інструменту та до ураження оператора струмом)
- Не дозволяйте шнуру живлення стикатися з рухомими частинами інструменту; завжди викладайте шнур за задньою частиною інструменту
- Тримайте пальці подалі від ножів, що обертаються
- У разі електричної або механічної несправності, негайно відключите інструмент і вимкніть з розетки
- Якщо шнур пошкоджений або прорізаний при роботі, не дотримайтеся до нього і негайно витягніть його з розетки

- Якщо стружка заблокувала отвір для виходу стружки, відключіть двигун, переконайтеся, що всі рухливі деталі є повністю нерухомі, вийміть вилку з розетки та видаліть стружку, що блокує отвір

#### ПІСЛЯ ВИКОРИСТАННЯ

- Опустіть рубанок донизу тільки після повної зупинки шарошкової головки (ніж, що видається з-під захисного покриття, може зачепитися за поверхню, що може призвести до втрати контролю та серйозної травми)

## ВИКОРИСТАННЯ

- Заміна/зміна леза ножів ⑥  
Цей рубанок оснащено незагострюваними ножами з лезами з обох боків; тож, якщо лезо з одного боку притупилося, можна використовувати лезо з іншого боку  
**! вимкніть інструмент і витягніть вилку з розетки**  
- візьміть гайковий ключ з контейнера А  
- переверніть інструмент догори дном  
- гайковим ключем трохи послабте 3 болти В (болти не виймайте)  
- виштовхніть ніж з шарошкової головки шматком деревини  
- знову встановіть ніж до шарошкової головки іншим боком або встановіть новий ніж  
**! паз на ножі має співпадати з виступом тримача леза ножа**  
**! обидва боки ножа мають виглядати на однокрову ширину**  
- добре затягніть 3 болти В гайковим ключем  
**! вчасно виконуйте заміну/зміну леза ножів; використовуйте тільки гострі ножі**  
**! завжди одночасно виконуйте заміну або зміну лез обох ножів**  
**! не намагайтеся відрегулювати ножі за допомогою гвинтів тримача леза ножа С, які було встановлено та затягнуто на заводі-виробнику**
- Регулювання глибини стругання ⑦  
- поверніть ручку D в напрямку "+" / "-" для збільшення/зменшення глибини стругання  
- використовуйте довідкову індикатор Е  
- завжди вибирайте меншу глибину стругання та повторюйте процес стругання та регулювання до отримання потрібної глибини
- Отвір для видалення стружки ⑧  
- під'єднайте пиლოსос за допомогою перехідника F до отвору для видалення стружки G, як показано на малюнку  
**! не намагайтеся усунути будь-яку перешкоду з отвору для стружки під час обертання ножів**
- Використання інструменту  
- регулювання глибини стругання  
- розташуйте інструмент на виробі  
**! переконайтеся, що на виробі стоїть тільки передня частина рубанку, а ножі виробу не торкаються**  
- увімкніть інструмент, натиснувши на ручку H ② (= аварійний вимикач, який не може бути заблокований) та потягнувши за тригер J ②

**! перед тим, як ножі торкнуться виробу, інструмент має працювати на повну потужність**

**! під час роботи, завжди тримайте інструмент за частину захвату сірого кольору ⑨**

- обома руками міцно тримайте інструмент та спрямовуйте його вперед у неперервному русі
- передня частина інструмент має спиратися на виріб
- не нахилийте інструмент, щоб не було небажаних стругальних відміток на поверхні виробу
- ! перш ніж вимкнути інструмент, його треба відвести від оброблюваного виробу**
- вимкніть інструмент, відпустивши тригер J

## ПОРАДИ ПО ВИКОРИСТАНЮ

- Для отісування країв використовуйте V-калібр в передній частині ⑩  
- встановіть ручку D у положення "0" для отісування країв відповідно до пазу  
- для пазів більшого розміру поверніть ручку D, щоб вибрати необхідну глибину стругання  
**! завжди спочатку тестуйте на взірці металобрухту**
- Див додаткову інформацію на [www.skil.com](http://www.skil.com)

## ДОГЛЯД/ОБСЛУГОВУВАННЯ

- Цей інструмент не придатний для промислового використання
- Завжди тримайте інструмент та його шнур в чистоті (особливо вентиляційні отвори L ②)  
**! перед чистою інструменту необхідно роз'єднати штепсельний роз'єм**
- Якщо незважаючи на ретельну технологію виготовлення і перевірки інструмент все-таки вийде з ладу, його ремонт дозволяється виконувати лише в авторизованій сервісній майстерні для електроприладів SKIL  
- надішліть нерозібраний інструмент разом з доказом купівлі до Вашого дилера або до найближчого центру обслуговування SKIL (адреси, а також діаграма обслуговування пристрою, подаються на сайті [www.skil.com](http://www.skil.com))

## ОХОРОНА НАВКОЛИШНЬОЇ СЕРЕДИ

- **Не викидайте електроінструмент, придатності та упаковку разом зі звичайним сміттям** (тільки для країн ЄС)  
- відповідно до європейської директиви 2002/96/ЄС щодо утилізації старих електричних та електронних приладів, в залежності з місцевим законодавством, електроінструмент, який перебував в експлуатації повинен бути утилізований окремо, безпечним для навколишнього середовища шляхом  
- малюнок ⑪ нагадає вам про це



# ΔΕΚΛΑΡΑЦΙΑ ΠΡΟ ВΙΔΠΟВΙΔНІСТЬ СТАНДАРТАМ СЕ

- Ми заявляємо, що відповідність даного продукту наступним стандартам і регулюючим документам повністю нашою відповідальністю: EN 60745, EN 61000, EN 55014, відповідно до положень директив 2004/108/EG, 2006/42/EG, 2011/65/EC
- **Τεχνічні документи в:** SKIL Europe BV (PT-SEU/ENG1), 4825 BD Breda, NL

Marijn van der Hoofden  
Operations & Engineering

Olaf Dijkgraaf  
Approvals Manager

SKIL Europe BV, 4825 BD Breda, NL  
27.06.2013

## ШУМ/ВІБРАЦІЯ

- Зміряний відповідно до EN 60745 рівень тиску звуку даного інструменту 90 дБ(А) і потужність звуку 101 дБ(А) (стандартне відхилення: 3 дБ), і вібрація 5,1 м/с<sup>2</sup> (ручна методика; похибка K = 1,5 м/с<sup>2</sup>)
  - Рівень вібрації було виміряно у відповідності з стандартизованим випробуванням, що міститься в EN 60745; дана характеристика може використовуватися для порівняння одного інструмента з іншим, а також для попередньої оцінки впливу вібрації під час застосування даного інструмента для вказаних цілей
    - при використанні інструмента в інших цілях або з іншими/несправними допоміжними пристосуваннями рівень впливу вібрації може значно **підвищуватися**
    - у періоди, коли інструмент вимикнений або функціонує без фактичного виконання роботи, рівень впливу вібрації може значно **знижуватися**
- ! захищайте себе від впливу вібрації, підтримуючи інструмент і його допоміжні пристосування в справному стані, підтримуючи руки в теплі, а також правильно організовуючи свій робочий процес**

GR

Плάνη

1558

## ΕΙΣΑΓΩΓΗ

- Αυτό το εργαλείο προορίζεται για το πλάνισμα υλικών από ξύλο, π.χ. καδρόνια και σανίδες - είναι επίσης κατάλληλο για το σπάσιμο ακμών
- Αυτό το εργαλείο δεν προορίζεται για επαγγελματική χρήση
- Διαβάστε και φυλάξτε αυτές τις οδηγίες χρήσεως ③

## ΤΕΧΝΙΚΑ ΧΑΡΑΚΤΗΡΙΣΤΙΚΑ ①

### ΜΕΡΗ ΤΟΥ ΕΡΓΑΛΕΙΟΥ ②

- A Αποθήκευση του κλειδιού
- B Κοχλίας ασφάλισης
- C Βίδες του τμήματος κοπής

- D Κουμπί ρύθμισης βάθους πλάνισματος
- E Δείκτης βάθους πλάνισματος
- F Προσαρμοστικό της ηλεκτρικής σκούπας
- G Έξοδος πριονιδιών
- H Διακόπτης ασφαλείας
- J Διακόπτης εκκίνησης/στάσης
- K Εγκοπή "V"
- L Σχισμές αερισμού

## ΑΣΦΑΛΕΙΑ

### ΓΕΝΙΚΕΣ ΥΠΟΔΕΙΞΕΙΣ ΑΣΦΑΛΕΙΑΣ

**⚠️ ΠΡΟΕΙΔΟΠΟΙΗΣΗ!** Διαβάστε όλες τις προειδοποιητικές υποδείξεις. Αμέλειες κατά την τήρηση των προειδοποιητικών υποδείξεων μπορεί να προκαλέσουν ηλεκτροπληξία, κίνδυνο πυρκαγιάς ή/και σοβαρούς τραυματισμούς. **Φυλάξτε όλες τις προειδοποιητικές υποδείξεις και οδηγίες για κάθε μελλοντική χρήση.** Ο ορισμός "ηλεκτρικό εργαλείο" που χρησιμοποιείται στις προειδοποιητικές υποδείξεις αναφέρεται σε ηλεκτρικά εργαλεία που τροφοδοτούνται από το ηλεκτρικό δίκτυο (με ηλεκτρικό καλώδιο) καθώς και σε ηλεκτρικά εργαλεία που τροφοδοτούνται από μπαταρία (χωρίς ηλεκτρικό καλώδιο).

### 1) ΑΣΦΑΛΕΙΑ ΣΤΟ ΧΩΡΟ ΕΡΓΑΣΙΑΣ

- a) Διατηρείτε το χώρο που εργάζεσθε καθαρό και καλά φωτισμένο. Αταξία στο χώρο που εργάζεσθε ή μη φωτισμένες περιοχές εργασίας μπορεί να οδηγήσουν σε ατυχήματα.
- b) Μην εργάζεσθε με το ηλεκτρικό εργαλείο σε περιβάλλον που υπάρχει κίνδυνος έκρηξης, στο οποίο υπάρχουν εύφλεκτα υγρά, αέρια ή σκόνη. Τα ηλεκτρικά εργαλεία μπορεί να δημιουργήσουν σπινθηρισμό ο οποίος μπορεί να αναφλέξει τη σκόνη ή τις αναθυμιάσεις.
- c) Όταν χρησιμοποιείτε το ηλεκτρικό εργαλείο κρατάτε τα παιδιά κι άλλα τυχόν πρόσωπα μακριά από το χώρο που εργάζεσθε. Σε περίπτωση που άλλα άτομα αποσπάσουν την προσοχή σας μπορείτε να χάσετε τον έλεγχο του μηχανήματος.

### 2) ΗΛΕΚΤΡΙΚΗ ΑΣΦΑΛΕΙΑ

- a) Το φως του καλωδίου του ηλεκτρικού εργαλείου πρέπει να ταιριάζει στην αντίστοιχη πρίζα. Δεν επιτρέπεται με κανένα τρόπο η μετασκευή του φως. Μη χρησιμοποιείτε προσαρμοστικά φως σε συνδυασμό με ηλεκτρικά εργαλεία συνδεδεμένα με τη γη (γειωμένα). Αθικτα φως και κατάλληλες πρίζες μειώνουν τον κίνδυνο ηλεκτροπληξίας.
- b) Αποφεύγετε την επαφή του σώματός σας με γειωμένες επιφάνειες όπως σωλήνες, θερμαντικά σώματα (καλοριφέρ), κουζίνες και ψυγεία. Όταν το σώμα σας είναι γειωμένο αυξάνεται ο κίνδυνος ηλεκτροπληξίας.
- c) Μην εκθέτετε το ηλεκτρικό εργαλείο στη βροχή ή την υγρασία. Η διείσδυση νερού στο ηλεκτρικό εργαλείο αυξάνει τον κίνδυνο ηλεκτροπληξίας.
- d) Μη χρησιμοποιείτε το καλώδιο για να μεταφέρετε ή ν'αναρτήσετε το ηλεκτρικό εργαλείο ή για να βγάλετε το φως από την πρίζα. Κρατάτε το καλώδιο μακριά από υψηλές θερμοκρασίες, λάδια, κοφτερές ακμές η

- κινούμενα εξαρτήματα.** Τυχόν χαλασμένα ή μπερδεμένα καλώδια αυξάνουν τον κίνδυνο ηλεκτροπληξίας.
- e) **Όταν εργάζεστε με το ηλεκτρικό εργαλείο στο ύπαιθρο** χρησιμοποιείτε πάντοτε καλώδια επιμίκυσης (μπαλαντάζες) που έχουν εγκριθεί για χρήση σε εξωτερικούς χώρους. Η χρήση καλωδίων επιμίκυσης εγκριμένων για εργασία σε εξωτερικούς χώρους μειώνει τον κίνδυνο ηλεκτροπληξίας.
- f) **Όταν η χρήση του ηλεκτρικού εργαλείου σε υγρό περιβάλλον είναι αναπόφευκτη, τότε χρησιμοποιήστε έναν προστατευτικό διακόπτη διαρροής.** Η χρήση ενός προστατευτικού διακόπτη διαρροής ελαττώνει τον κίνδυνο ηλεκτροπληξίας.
- 3) ΑΣΦΑΛΕΙΑ ΠΡΟΣΩΠΩΝ**
- a) **Να είσθε πάντοτε προσεκτικός/προσεκτική, να δίνετε προσοχή στην εργασία που κάνετε και να χειρίζεστε το ηλεκτρικό εργαλείο με περίσκεψη.** Μην κάνετε χρήση του ηλεκτρικού εργαλείου όταν είσθε κουρασμένος/κουρασμένη ή όταν βρίσκεστε υπό την επιρροή ναρκωτικών, οιονοπνεύματος ή φαρμάκων. Μια στιγμιαία απροσεξία κατά το χειρισμό του ηλεκτρικού εργαλείου μπορεί να οδηγήσει σε σοβαρούς τραυματισμούς.
- b) **Φοράτε προστατευτικά ενδύματα και πάντοτε προστατευτικά γυαλιά.** Όταν φοράτε ενδύματα ασφαλείας, ανάλογα με το υπό χρήση ηλεκτρικό εργαλείο, όπως προσωπίδα προστασίας από σκόνη, αντιπολιοθικά παπούτσια ασφαλείας, κράνη ή ωτασπίδες, μειώνεται ο κίνδυνος τραυματισμών.
- c) **Αποφεύγετε την αθέλητη εκκίνηση. Βεβαιωθείτε ότι το ηλεκτρικό εργαλείο έχει αποσυνχτεί πριν το συνδέσετε με το ηλεκτρικό δίκτυο ή/και με την μπαταρία καθώς και πριν το παραλάβετε ή το μεταφέρετε.** Όταν μεταφέρετε το ηλεκτρικό εργαλείο έχοντας το δάχτυλό σας στο διακόπτη ή όταν συνδέσετε το μηχάνημα με την πηγή ρεύματος όταν αυτό είναι ακόμη συζευγμένο, τότε δημιουργείται κίνδυνος τραυματισμών.
- d) **Αφαιρείτε από τα ηλεκτρικά εργαλεία πριν τα θέσετε σε λειτουργία τυχόν συναρμολογημένα χρησιμοποιήσιμα εργαλεία ή κλειδιά.** Ένα εργαλείο ή κλειδί συναρμολογημένο στο περιστρεφόμενο εξάρτημα ενός ηλεκτρικού εργαλείου μπορεί να οδηγήσει σε τραυματισμούς.
- e) **Μην υπερκτιμάτε τον εαυτό σας. Φροντίζετε για την ασφάλη στήριξη του σώματος σας και διατηρείτε πάντοτε την ισορροπία σας.** Αυτό σας επιτρέπει τον καλύτερο έλεγχο το ηλεκτρικού εργαλείου σε περιπτώσεις απροσδόκητων καταστάσεων.
- f) **Φοράτε κατάλληλη ενδυμασία εργασίας. Μη φοράτε φαριδιά ενδύματα ή κοσμήματα. Κρατάτε τα μαλλιά σας, τα ενδύματα σας και τα γάντια σας μακριά από τα κινούμενα εξαρτήματα.** Χαλαρή ενδυμασία, κοσμήματα και μακριά μαλλιά μπορεί να εμπλακούν στα κινούμενα εξαρτήματα.
- g) **Αν υπάρχει η δυνατότητα συναρμολόγησης διατάξεων αναρρόφησης ή συλλογής σκόνης, βεβαιωθείτε αν οι διατάξεις αυτές είναι συνδεδεμένες καθώς κι αν χρησιμοποιούνται**

- σωστά.** Η χρήση μιας αναρρόφησης σκόνης μπορεί να ελαττώσει τον κίνδυνο που προκαλείται από τη σκόνη.
- 4) ΧΡΗΣΗ ΚΙ ΕΠΙΜΕΛΗΣ ΧΕΙΡΙΣΜΟΣ ΤΩΝ ΗΛΕΚΤΡΙΚΩΝ ΕΡΓΑΛΕΙΩΝ**
- a) **Μην υπερφορτώνετε το ηλεκτρικό εργαλείο.** Χρησιμοποιείτε για την εκάστοτε εργασία σας το ηλεκτρικό εργαλείο που προορίζεται γι' αυτήν. Με το κατάλληλο ηλεκτρικό εργαλείο εργάζεστε καλύτερα και ασφαλέστερα στην αναφερόμενη περιοχή ισχύος.
- b) **Μη χρησιμοποιήσετε ποτέ ένα ηλεκτρικό εργαλείο του οποίου ο διακόπτης ON/OFF είναι χαλασμένος.** Ένα ηλεκτρικό εργαλείο το οποίο δεν μπορεί να τεθεί πλέον σε ή εκτός λειτουργίας είναι επικίνδυνο και πρέπει να επισκευαστεί.
- c) **Βγάzte το φως από την πρίζα και ή αφαιρέστε την μπαταρία πριν διαζάνετε στο εργαλείο μια οποιαδήποτε εργασία ρύθμισης, πριν αλλάξετε ένα εξάρτημα ή όταν πρόκειται να διαφυλάξετε/ να αποθηκεύσετε το εργαλείο.** Αυτά τα προληπτικά μέτρα ασφαλείας μειώνουν τον κίνδυνο από τυχόν αθέλητη εκκίνηση του ηλεκτρικού εργαλείου.
- d) **Διαφυλάγετε τα ηλεκτρικά εργαλεία που δε χρησιμοποιείτε μακριά από παιδιά. Μη αφήνετε άτομα που δεν είναι εξοικειωμένα με το ηλεκτρικό εργαλείο ή δεν έχουν διαβάσει αυτές τις οδηγίες χρήσης να το χρησιμοποιήσουν.** Τα ηλεκτρικά εργαλεία είναι επικίνδυνα όταν χρησιμοποιούνται από άπειρα πρόσωπα.
- e) **Να περιποιήστε προσεκτικά το ηλεκτρικό σας εργαλείο και να ελέγχετε, αν τα κινούμενα τμήματα του λειτουργούν άψογα και δεν μπλοκάρουν, ή μήπως έχουν χαλάσει ή σπάσει εξαρτήματα, τα οποία επηρεάζουν έτσι αρνητικά τον τρόπο λειτουργίας του ηλεκτρικού εργαλείου. Δώστε τυχόν χαλασμένα εξαρτήματα του ηλεκτρικού εργαλείου για επισκευή πριν το χρησιμοποιήσετε πάλι.** Η ανεπαρκής συντήρηση των ηλεκτρικών εργαλείων αποτελεί αιτία πολλών ατυχημάτων.
- f) **Διατηρείτε τα κοπτικά εργαλεία κοφτερά και καθαρά.** Τα κοπτικά εργαλεία που συντηρούνται με προσοχή μπορούν να οδηγηθούν εύκολα και να ελεγχθούν καλύτερα.
- g) **Χρησιμοποιείτε τα ηλεκτρικά εργαλεία, τα εξαρτήματα, τα χρησιμοποιήσιμα εργαλεία κτλ. σύμφωνα με τις παρούσες οδηγίες καθώς. Λαμβάνετε ταυτόχρονα υπόψη σας τις συνθήκες εργασίας και την υπό εκτέλεση εργασία.** Η χρήση του ηλεκτρικού εργαλείου για άλλες εκτός από τις προβλεπόμενες εργασίες μπορεί να δημιουργήσει επικίνδυνες καταστάσεις.
- 5) SERVICE**
- a) **Δίνετε το ηλεκτρικό σας εργαλείο για επισκευή από άριστα ειδικευμένο προσωπικό, μόνο με γνήσια ανταλλακτικά.** Έτσι εξασφαλίζεται η διατήρηση της ασφάλειας του ηλεκτρικού εργαλείου.

## ΟΔΗΓΙΕΣ ΑΣΦΑΛΕΙΑΣ ΓΙΑ ΠΛΑΝΕΣ

### ΓΕΝΙΚΑ

- Αυτό το εργαλείο δεν πρέπει να χρησιμοποιείται από άτομα κάτω των 16 ετών

- Η ηχητική στάθμη κατά την εργασία ενδέχεται να ξεπεράσει τα 85 dB(A) - **γι' αυτό θα πρέπει να φοράτε προστασία ακοής** ④
- Η σκόνη από υλικά όπως μογιόλις που περιέχουν μόλυβδο, ορισμένα είδη ξύλου, ανόργανα στοιχεία και μέταλλα μπορεί να είναι επιβλαβής (η επαφή ή η εισπνοή της σκόνης μπορεί να προκαλέσει αλλεργικές αντιδράσεις ή/και αναπνευστικές ασθένειες στον χειριστή ή σε άτομα που παρίστανται) - **να φοράτε προσωπικά προστασίας από τη σκόνη** ⑤ **και να εργάζεστε με συσκευή αφαίρεσης σκόνης όταν είναι δυνατό**
- Ορισμένα είδη σκόνης ταξινομούνται ως καρκινογόνα (όπως η σκόνη από τη δρυ ή την οξιά) ιδιαίτερα σε συνδυασμό με πρόσθετα συντήρησης ξύλου - **να φοράτε προσωπικά προστασίας από τη σκόνη** ⑤ **και να εργάζεστε με συσκευή αφαίρεσης σκόνης όταν είναι δυνατό**
- Ακολουθήστε τις σχετικές με σκόνη εθνικές διατάξεις για τα υλικά που θέλετε να εργαστείτε
- Η SKIL εγγυάται την τέλεια λειτουργία του εργαλείου μόνο όταν χρησιμοποιούνται αυθεντικά εξαρτήματα
- Ποτέ μη χρησιμοποιείτε το εργαλείο όταν έχει υποστεί βλάβη το καλώδιο - το καλώδιο θα πρέπει να αντικατασταθεί από έναν εξειδικευμένο τεχνίτη
- **Πάντα να αποσυνδέεται την πρίζα από το ηλεκτρικό δίκτυο πριν κάνετε κάποια ρύθμιση ή αλλάξετε εξάρτημα**

#### ΠΡΙΝ ΑΠΟ ΤΗ ΧΡΗΣΗ

- Βεβαιωθείτε ότι η τάση του παρεχόμενου ρεύματος είναι ίδια με την τάση που υποδεικνύεται στην πινακίδα δεδομένων του εργαλείου (εργαλεία που φέρουν την ένδειξη 230V ή 240V μπορούν να συνδεθούν επίσης σε πρίζα 220V)
- Προφυλάξτε το εργαλείο από τυχόν φθορές από ξένα σώματα (βίδες, καρφιά ή άλλα) που ίσως είναι μέσα στο κομμάτι που θα δουλέψετε - αφαιρέστε τα πριν αρχίσετε την εργασία
- Πριν χρησιμοποιήσετε το εργαλείο, βεβαιωθείτε ότι τα μαχαίρια κινούνται ελεύθερα
- Χρησιμοποιείτε ασφαλείς, τελειώς ξετυλιγμένες προεκτάσεις καλωδίου με χωρητικότητα 16 Amps
- **Χρησιμοποιήστε σφιγκτήρες ή άλλο πρακτικό μέσο για να στερεώσετε και να υποστηρίξετε το κομμάτι εργασίας σε ευσταθή πλατφόρμα** (αν κρατάτε το κομμάτι εργασίας με το χέρι ή πάνω στο σώμα σας, αυτό δεν σταθεροποιείται και υπάρχει κίνδυνος απώλειας του ελέγχου)

#### ΚΑΤΑ ΤΗ ΧΡΗΣΗ

- **Κρατήστε το ηλεκτρικό εργαλείο από τις μονωμένες επιφάνειες συγκράτησης, καθώς ο μηχανισμός κοπής μπορεί να έρθει σε επαφή με το καλώδιο του** (το κόψιμο ενός ηλεκτροφόρου καλωδίου ενδέχεται να κάνει ηλεκτροφόρα τα εκτεθειμένα μεταλλικά μέρη του ηλεκτρικού εργαλείου και να προκαλέσει ηλεκτροπληξία στον χειριστή)
- Να κρατάτε πάντα το καλώδιο μακριά από τα κινούμενα μέρη του εργαλείου σας - κρατάτε το καλώδιο προς τα πίσω, μακριά από το εργαλείο
- Κρατάτε τα δάκτυλά σας μακριά από τα περιστρεφόμενα μαχαίρια
- Σε περίπτωση ηλεκτρικής ή μηχανικής δυσλειτουργίας, σταματήστε αμέσως το εργαλείο και βγάλτε το από την πρίζα
- Σε περίπτωση που υποστεί βλάβη ή κοπεί το καλώδιο κατά την εργασία, μην αγγίζετε το καλώδιο, αλλά

αποσυνδέστε αμέσως το φις από την πρίζα

- Αν κάποιο θραύσμα φρακαριστεί στην διόδο θραυσμάτων, θα πρέπει να σβήσετε το εργαλείο, να σιγουρευτείτε ότι όλα τα κινούμενα μέρη είναι εντελώς στάσιμα, να βγάλετε την πρίζα και να αφαιρέσετε το φρακαρισμένο θραύσμα

#### ΜΕΤΑ ΤΗ ΧΡΗΣΗ

- **Περιμένετε έως ότου σταματήσει τελειώς ο μηχανισμός κοπής πριν αφήσετε κάτω το εργαλείο** (ένα γυμνό μαχαίρι θα μπορούσε να έρθει σε επαφή με την επιφάνεια, με αποτέλεσμα την απώλεια του ελέγχου του εργαλείου και τον σοβαρό τραυματισμό του χειριστή)

#### ΧΡΗΣΗ

- Αντικατάσταση/αναποδογύρισμα μαχαίριου ⑥  
Αυτή η πάση διαθέτει μη τροχιζόμενη μαχαίρια με κοπτικά άκρα και στις δύο πλευρές - σε περίπτωση που στομώσει η μία πλευρά, μπορείτε να χρησιμοποιήσετε την άλλη πλευρά του μαχαίριου  
**! απενεργοποιήστε το εργαλείο και βγάλτε το φις από την πρίζα**  
- βγάλτε το κλειδί από τη αποθήκευση A  
- αναποδογυρίστε το εργαλείο  
- ξεσφίξτε τους 3 κοχλίες B με το κλειδί (μην τους αφαιρείτε τελειώς)  
- χρησιμοποιώντας ένα κομμάτι ξύλο, στρώστε το μαχαίρι για να βγει από τον μηχανισμό κοπής  
- ξαναβάλτε το μαχαίρι με την ανάποδη πλευρά στον μηχανισμό κοπής, ή χρησιμοποιήστε ένα νέο μαχαίρι  
**! η εγκοπή στο μαχαίρι θα πρέπει να εφαιρμόξει στην προεσοχή του τμήματος κοπής**  
**! τα δύο άκρα των μαχαίριων θα πρέπει να εξέχουν κατά την ίδια απόσταση**  
- σφίξτε καλά τους 3 κοχλίες B, χρησιμοποιώντας το κλειδί  
**! θα πρέπει να αλλάξετε/αναποδογυρίζετε εγκάρως τα μαχαίρια - χρησιμοποιείτε μόνο αιχμηρά μαχαίρια**  
**! θα πρέπει πάντοτε να αλλάξετε/ αναποδογυρίζετε ταυτόχρονα τα δύο μαχαίρια**  
**! μην επιχειρείτε να ρυθμίσετε τα μαχαίρια με τις βίδες του τμήματος κοπής C, αυτές οι βίδες έχουν ρυθμιστεί από το εργοστάσιο**
- Ρύθμιση του βάθους πλανίσματος ⑦  
- γυρίστε το διακόπτη D στην κατεύθυνση "+" / "-" για την αύξηση ή ελάττωση του βάθους πλανίσματος  
- χρησιμοποιήστε το δείκτη E ως σημείο αναφοράς  
- θα πρέπει πάντοτε να επιλέγετε μικρό βάθος πλανίσματος και να επαναλαμβάνετε τη διαδικασία πλανίσματος και ρύθμισης μέχρι να φτάσετε στο επιθυμητό βάθος
- Έξοδος πριονιδιών ⑧  
- συνδέστε την ηλεκτρική σκούπα με τον προσαρμογέα F στην έξοδο των πριονιδίωνG, όπως απεικονίζεται  
**! μην επιχειρείτε να αφαιρέσετε οποιοδήποτε αντικείμενο από την έξοδο των πριονιδίων καθώς περιστρέφονται τα μαχαίρια**
- Χειρισμός του εργαλείου  
- ρυθμίστε το βάθος πλανίσματος  
- τοποθετήστε το εργαλείο επάνω κομμάτι  
**! βεβαιωθείτε ότι στηρίζεται μόνο το μπροστινό**

### **πέλμα στο κατεργαζόμενο κομμάτι και ότι τα μαχαίρια δεν το αγγίζουν**

- ενεργοποιήστε το εργαλείο φέροντας πρώτα το κουμπί H ② (= διακόπτης ασφαλείας που δεν μπορεί να κλειδωθεί) και τραβώντας στη συνέχεια τη σκανδάλη J ②

### **! το εργαλείο θα πρέπει να λειτουργεί σε πλήρη ταχύτητα πριν ακουμπήσουν τα μαχαίρια το κατεργαζόμενο κομμάτι**

### **! ενώ εργάζεστε, να κρατάτε πάντα το εργαλείο από τη/τις λαβή/ές με γκρι χρώμα ⑨**

- κρατήστε το εργαλείο σταθερά με τα δυο σας χέρια και οδηγήστε το προς τα μπροστά με μία συνεχή κίνηση
- όταν χρησιμοποιείτε το εργαλείο, φροντίστε ώστε η πλάκα βάσης να στηρίζεται στο κατεργαζόμενο κομμάτι
- μη γείρετε το εργαλείο για να αποφύγετε ανεπιθύμητα σημάδια πλάνισματος

### **! προτού σταματήσετε το εργαλείο πρέπει να το ανασηκώσετε από το κατεργαζόμενο κομμάτι**

- σβήστε το εργαλείο αφήνοντας τη σκανδάλη J

## **ΟΔΗΓΙΕΣ ΕΦΑΡΜΟΓΗΣ**

- Για το σπάσιμο ακμών χρησιμοποιείτε τη ραβδωτή-V στο μπροστινό πέλμα ⑩
- ρυθμίστε το διακόπτη D στο σημείο "0" για σπάσιμο ακμών παρόμοια με την εγκοπή
- για μεγαλύτερες εγκοπές, γυρίστε το διακόπτη D για να επιλέξετε το απαιτούμενο βάθος πλάνισματος
- ! πάντα δοκιμάστε πρώτα πάνω σ'ένα κομμάτι άχρηστο υλικό**
- Για περισσότερες συμβουλές δείτε [www.skil.com](http://www.skil.com)

## **ΣΥΝΤΗΡΗΣΗ / ΣΕΡΒΙΣ**

- Αυτό το εργαλείο δεν προορίζεται για επαγγελματική χρήση
- Κρατάτε πάντοτε το εργαλείο και το καλώδιο καθαρά (και ιδιαίτερα τις θυρίδες αερισμού L ②)
- ! αφαιρέστε την πρίζα πριν το καθάρισμα**
- Αν παρ' όλες τις επιμελημένες μεθόδους κατασκευής κι ελέγχου το εργαλείο σταματήσει κάποτε να λειτουργεί, τότε η επισκευή του πρέπει να ανατεθεί σ' ένα εξουσιοδοτημένο συνεργείο για ηλεκτρικά εργαλεία της SKIL
- στείλτε το εργαλείο **χωρίς να το αποσυναρμολογήσετε** μαζί με την απόδειξη αγοράς στο κατάστημα από το οποίο το αγοράσατε ή στον πλησιέστερο σταθμό τεχνικής εξυπηρέτησης της SKIL (θα βρείτε τις διευθύνσεις και το διάγραμμα συντήρησης του εργαλείου στην ιστοσελίδα [www.skil.com](http://www.skil.com))

## **ΠΕΡΙΒΑΛΛΟΝ**

- **Μην πετάτε τα ηλεκτρικά εργαλεία, εξαρτήματα και συσκευασία στον κάδο οικιακών απορριμμάτων** (μόνο για τις χώρες της ΕΕ)
- σύμφωνα με την ευρωπαϊκή οδηγία 2002/96/ΕΚ περί ηλεκτρικών και ηλεκτρονικών συσκευών και την ενσωμάτωσή της στο εθνικό δίκαιο, τα ηλεκτρικά

εργαλεία πρέπει να συλλέγονται ξεχωριστά και να επιστρέφονται για ανακύκλωση με τρόπο φιλικό προς το περιβάλλον


- το σύμβολο ① θα σας το θυμήσει αυτό όταν έλθει η ώρα να πετάξετε τις

## **ΔΗΛΩΣΗ ΣΥΜΜΟΡΦΩΣΗΣ CE**

- Δηλώνουμε υπευθύνως ότι το προϊόν αυτό είναι κατασκευασμένο σύμφωνα με τους εξής κανονισμούς ή κατασκευαστικές συστάσεις: EN 60745, EN 61000, EN 55014, κατά τις διατάξεις των κανονισμών της Κοινής Αγοράς 2004/108/ΕΚ, 2006/42/ΕΚ, 2011/65/ΕΕ
- **Τεχνικός φάκελος από:** SKIL Europe BV (PT-SEU/ENG1), 4825 BD Breda, NL

Marijn van der Hoofden  
Operations & Engineering

Olaf Dijkgraaf  
Approvals Manager

  
SKIL Europe BV, 4825 BD Breda, NL  
27.06.2013

## **ΘΟΡΥΒΟ/ΚΡΑΔΑΣΜΟΥΣ**

- Μετρημένη σύμφωνα με EN 60745 η στάθμη ακουστικής πίεσης αυτού του εργαλείου ανέρχεται σε 90 dB(A) και η στάθμη ηχητικής ισχύος σε 101 dB(A) (κοινή απόκλιση: 3 dB), και ο κραδασμός σε 5,1 m/s<sup>2</sup> (μεθοδος χειρός/βραχίονα - ανασφάλεια K = 1,5 m/s<sup>2</sup>)
- Το επίπεδο παραγωγής κραδασμών έχει μετρηθεί σύμφωνα με μια τυποποιημένη δοκιμή που αναφέρεται στο πρότυπο EN 60745 - μπορεί να χρησιμοποιηθεί για τη σύγκριση ενός εργαλείου με ένα άλλο, καθώς και ως προκαταρκτική αξιολόγηση της έκθεσης στους κραδασμούς όταν το εργαλείο χρησιμοποιείται για τις εφαρμογές που αναφέρονται
- η χρήση του εργαλείου για διαφορετικές εφαρμογές ή με διαφορετικά ή κακοσυντηρημένα εξαρτήματα μπορεί να **αυξήσει** σημαντικά το επίπεδο έκθεσης
- όταν το εργαλείο είναι απενεργοποιημένο ή δουλεύει αλλά δεν εκτελεί την εργασία, το επίπεδο έκθεσης μπορεί να **μειωθεί** σημαντικά
- ! προστατευτείτε από τις επιδράσεις των κραδασμών συντηρώντας σωστά το εργαλείο και τα εξαρτήματά του, διατηρώντας τα χέρια σας ζεστά και οργανώνοντας τον τρόπο εργασίας σας**

RO

**Rindele**

**1558**

## **INTRODUCERE**

- Această sculă se utilizează pentru sleuirea materialului lemnos precum scânduri; se preteată la țesirea colturilor
- Această sculă nu este destinată utilizării profesionale
- Citiți și păstrați acest manual de instrucțiuni ③

## **CHARACTERISTICI TEHNICE ①**

## ELEMENTELE SCULEI ②

- A Loças pentru cheia
- B Șurub de fixare
- C Șuruburi pentru blocul port-cuțite
- D Buton pentru stabilirea adâncimii de rindeluire
- E Indicator pentru adâncimea de rindeluire
- F Adaptor aspiratorului
- G Ieșire talaș
- H Întrerupător de siguranță
- J Întrerupător pornit/oprit
- K Canelură V
- L Fantele de ventilație

## SIGURANȚA

### INSTRUCȚIUNI DE SIGURANȚĂ GENERALE

**⚠ ATENȚIE! Citiți toate indicațiile de avertizare și instrucțiunile.** Nerespectarea indicațiilor de avertizare și a instrucțiunilor poate provoca electrocutare, incendii și/ sau răni grave. **Păstrați toate indicațiile de avertizare și instrucțiunile în vederea utilizărilor viitoare.** Termenul de "sculă electrică" folosit în indicațiile de avertizare se referă la sculele electrice alimentate de la rețea (cu cablu de alimentare) și la sculele electrice cu acumulator (fără cablu de alimentare).

#### 1) SIGURANȚA LA LOCUL DE MUNCĂ

- a) **Păstrați-vă locul de muncă curat și bine iluminat.** Dezordinea la locul de muncă sau existența unor sectoare de lucru neiluminată poate duce la accidente.
- b) **Nu folosiți mașina în medii cu pericol de explozie, acolo unde există lichide, gaze sau pulberi inflamabile.** Sculele electrice pot produce scântei care să aprindă pulberile sau vaporii.
- c) **Nu permiteți accesul copiilor și al altor persoane în timpul lucrului cu mașina.** Dacă vi se distrage atenția puteți pierde controlul asupra mașinii.

#### 2) SECURITATE ELECTRICĂ

- a) **Ștecherul de racordare a mașinii trebuie să se potrivească cu priza de alimentare. Nu este permisă în nici-un caz modificarea ștecherului. Nu folosiți adaptoare pentru ștechere la mașinile legate la pământ.** Ștecherele nemodificate și prizele de curent adecvate acestora reduc riscul de electrocutare.
- b) **Evitați contactul corporal cu suprafețe legate la pământ ca țevi, radiatoare, plite electrice și frigider.** Există un risc crescut de electrocutare atunci când corpul dv. este și el legat la pământ.
- c) **Nu lăsați mașina afară în ploaie sau în mediu umed.** Riscul de electrocutare crește atunci când într-o sculă electrică pătrunde apă.
- d) **Nu trageți niciodată mașina de cordonul de alimentare pentru a o transporta, a o atârna sau a scoate ștecherul din priza de curent. Feriți cordonul de alimentare de căldură, ulei, muchi și ascuțite sau de subsanștable aflate în mișcare.** Un cordon de alimentare deteriorat sau înfășurat mărește riscul de electrocutare.
- e) **Atunci când lucrați cu scula electrică în aer liber, folosiți numai cordoane prelungitoare autorizate pentru exterior.** Întrebuițarea unui cordon

prelungitor adecvat utilizării în aer liber reduce riscul de electrocutare.

- f) **Atunci când nu poate fi evitată utilizarea sculei electrice în mediu umed, folosiți un întrerupător de circuit cu împământare.** Folosirea unei întrerupător de circuit cu împământare reduce riscul de electrocutare.
- #### 3) SECURITATEA PERSOANELOR
- a) **Fiți vigilenți, fiți atenți la ceea ce faceți și procedați rațional atunci când lucrați cu scula electrică. Nu folosiți mașina dacă sunteți oboșiți sau vă aflați sub influența drogurilor, alcoolului sau a medicamentelor.** Un moment de neatenție în timpul lucrului cu mașina poate duce la răni grave.
  - b) **Purtați echipament de protecție personală și întotdeauna ochelari de protecție.** Folosirea echipamentelor de protecție a persoanei ca mască de protecție împotriva prafului, încălțăminte antiderapantă, cască de protecție sau aparat de protecție auditivă, în funcție de tipul și domeniul de folosire al sculei electrice, reduce riscul rănilor.
  - c) **Evitați o punere în funcțiune involuntară. Înainte de a introduce ștecherul în priză și/sau de a introduce acumulatorul în scula electrică, de a o ridica sau de a o transporta, asigurați-vă că aceasta este oprită.** Dacă atunci când transportați scula electrică țineți degetul pe întrerupător sau dacă porniți scula electrică înainte de a o racorda la rețeaua de curent, puteți provoca accidente.
  - d) **Înainte de a pune mașina în funcțiune scoateți afară cheile reglabile și fixe.** O cheie reglabilă sau fixă, aflată într-o componentă de mașină care se rotește, poate provoca răni.
  - e) **Nu vă supraapreciați. Asigurați-vă o poziție stabilă și păstrați-vă întotdeauna echilibrul.** Astfel veți putea controla mai bine mașina în situații neașteptate.
  - f) **Purtați îmbrăcăminte de lucru adecvată. Nu purtați haine largi sau podoabe. Țineți părul, îmbrăcăminte și mănușile departe de componente aflate în mișcare.** Îmbrăcăminte largă, podoabele și părul lung pot fi prinse de piesele aflate în mișcare.
  - g) **Dacă există posibilitatea montării de echipamente și instalații de aspirare și colectare a prafului, asigurați-vă că acestea sunt conectate și folosite corect.** Folosirea unei instalații de aspirare a prafului poate duce la reducerea poluării cu praf.
- #### 4) MANEVRAȚI ȘI FOLOSIȚI CU GRIJĂ SCULELE ELECTRICE
- a) **Nu suprasolicitați mașina. Folosiți scula electrică destinată executării lucrării dumneavoastră.** Cu scula electrică potrivită lucrați mai bine și mai sigur în domeniul de putere specificat.
  - b) **Nu folosiți scula electrică dacă are întrerupătorul defect.** O sculă electrică, care nu mai poate fi pornită sau oprită este periculoasă și trebuie reparată.
  - c) **Scoateți ștecherul afară din priză și/sau îndepărtați acumulatorul, înainte de a executa reglaje, a schimba accesorii sau de a pune mașina la o parte.** Această măsură preventivă reduce riscul unei porniri involuntare a mașinii.
  - d) **În caz de nefolosire păstrați mașinile la loc inaccesibil copiilor. Nu permiteți persoanelor care nu sunt familiarizate cu mașina sau care n-au citit**

- prezentele instrucțiuni, să folosească mașina.** Sculele electrice sunt periculoase atunci când sunt folosite de persoane fără experiență.
- e) **Întrețineți-vă cu grijă mașina. Controlați dacă componentele mobile funcționează corect și dacă nu se blochează, dacă nu există piese defecte sau deteriorate, care să afecteze funcționarea mașinii.** Înainte de a repune în funcțiune mașina, duceți-o la un atelier de asistență service pentru repararea sau înlocuirea pieselor deteriorate. Multe accidente s-au datorat întreținerii defectuoase a sculelor electrice.
- f) **Păstrați accesoriile bine ascuțite și curate.** Accesoriile atent întreținute, cu muchii tăietoare bine ascuțite se blochează mai greu și pot fi conduse mai ușor.
- g) **Folosii sculele electrice, accesoriile, dispozitivele de lucru etc. conform prezentelor instrucțiuni. Țineți seama de condițiile de lucru și de lucrarea care trebuie executată.** Întrebuințarea unor scule electrice destinate altor utilizări decât cele preconizate, poate duce la situații periculoase.
- 5) SERVICE**
- a) **Permiteți repararea mașinii dumneavoastră numai de către un specialist calificat și numai cu piese de schimb originale.** În acest mod este garantată menținerea siguranței de exploatare a mașinii.

## INSTRUCȚIUNI DE SIGURANȚĂ PENTRU RINDELI

### GENERALITĂȚI

- Această sculă nu trebuie să fie folosit de persoane sub 16 ani
- Când este utilizat, nivelul de zgomot poate depăși 85 dB(A); **este necesar să purtați echipament de protecție pentru urechi** ④
- Praful rezultat din materiale precum vopseala care conține plumb, unele specii de lemn, minerale și metale poate fi periculos (contactul cu praful sau inhalarea acestuia poate provoca reacții alergice și/sau afecțiuni respiratorii operatorului sau persoanelor care stau în apropiere); **purtați o mască de praf** ⑤ și **lucrați cu un dispozitiv de extragere a prafului când poate fi conectat**
- Anumite tipuri de praf sunt clasificate ca fiind cancerigene (cum ar fi praful de stejar și fag) în special în combinație cu aditivi pentru tratarea lemnului; **purtați o mască de praf** ⑤ și **lucrați cu un dispozitiv de extragere a prafului când poate fi conectat**
- Respectați reglementările naționale referitoare la aspirația prafului în funcție de materialele de lucru folosite
- SKIL garantează funcționarea perfectă a aparatului numai dacă sunt folosite accesoriile originale
- Nu folosiți scula atunci când cordonul sau prezintă defecțiuni; înlocuirea lor se va efectua de o persoană autorizată
- **Decuplați întotdeauna ștecherul de la sursa de alimentare înainte de a face o reglare sau o schimbare de accesorii**

### ÎNAINTEA UTILIZĂRII

- Verificați întotdeauna dacă tensiunea de alimentare este aceeași cu tensiunea indicată pe plăcuța de identificare a sculei (sculele cu o specificație de 230V și 240V pot fi conectate și la alimentare de 220V)

- Evitați daunele provocate de șuruburi, țiște și alte elemente din timpul lucrului; **înlăturați aceste elemente înainte de a trece la acțiune**
- Înainte de a folosi mașina, verificați dacă **cuțitele nu freacă în anumite puncte**
- Folosiți **cabluri de prelungire derulate complet, protejate/izolate, cu o capacitate de 16 amperi**
- **Folosiți clame sau alte metode practice pentru a securiza și susține piesa de prelucrat pe o platformă stabilă** (dacă țineți piesa cu mâna sau sprijinită de corp va fi instabilă și puteți pierde controlul asupra ei)

### ÎN TIMPUL FUNCȚIONĂRII

- **Apucați mașina de mânerul izolat, deoarece cuțitul poate atinge propriul său cordon** (tăierea unui cablu electric "aflat sub tensiune" poate determina "punerea sub tensiune" a părților metalice expuse ale mașinii și poate cauza electrocutarea operatorului)
- Feriți întotdeauna cordonul de părțile în mișcare ale sculei; orientați cordonul spre spate, la distanță de sculă
- Țineți degetele la distanță de cuțitele aflate în rotație
- În cazul unor defecțiuni electrice sau mecanice deconectați imediat instrumentul și scoateți șnurul din priză
- În cazul în care cordonul este deteriorat sau secționat în timpul lucrului, nu atingeți cordonul, dar deconectați imediat de la priză
- Dacă buzunarul pentru acumularea așchilor s-a umplut, trebuie să deconectați aparatul, să vă asigurați că toate părțile mobile sunt oprite, să scoateți firul din priză, apoi să eliberați buzunarul

### DUPĂ UTILIZARE

- **Așteptați oprirea blocului de prindere a cuțitelor înainte de a pune jos mașina** (un cuțit în rotație poate atinge suprafața pe care se așează mașina, ceea ce poate provoca pierderea controlului asupra acesteia și accidente grave)

## UTILIZAREA

- Schimbarea/inversarea cuțitelor ⑥
- Această rindele este echipată cu cuțite ce nu pot fi ascuțite și care sunt prevăzute pe ambele părți cu muchii tăietoare; în felul acesta, dacă una din părțile cuțitului se tocește, poate fi utilizată cealaltă parte a cuțitului
- ! opriți scula și scoateți-l din priză**
- scoateți cheia din loșas A
  - întoarceți instrumentul invers
  - slăbiți cu cheia cele 3 șuruburi B (nu scoateți șuruburile)
  - împingeți afară cuțitul din blocul de prindere folosind o bucată de lemn
  - puneți la loc cuțitul în blocul de prindere, dar în poziție inversată, sau folosiți un cuțit nou
- ! șantul din cuțit trebuie să corespundă cu proeminența din blocul port-cuțite**
- ! ambele capete ale cuțitului trebuie să iasă în afară în mod egal**
- strângeți bine cu cheia cele 3 șuruburi B
- ! schimbați sau inversați cuțitele la timp; folosiți numai cuțite ascuțite**
- ! întotdeauna trebuie să schimbați sau să inversați ambele cuțite în același timp**
- ! nu încercați să reglați cuțitele cu șuruburilor**

## C pentru blocul port-cuțite, șuruburile fiind prereglate în fabrică

- Reglarea adâncimii de rindeluire ⑦
  - rotiți butonul D în direcția "+" / "-" pentru a mări/micșora adâncimea de rindeluire
  - utilizați indicatorul E ca referință
  - selectați întotdeauna o adâncime mică de rindeluire și repetați operațiile de rindeluire și reglare până când obțineți adâncimea de rindeluire dorită
- leșire talaș ⑧
  - conectați aspiratorul cu adaptorul F la ieșirea pentru talaș G aleasă, așa cum se prezintă în ilustrație
- ! **nu încercați să îndepărtați obstrucțiile din ieșirea pentru talaș în timp ce cuțitele se află în rotație**
- Utilizarea sculei
  - reglați adâncimea de rindeluire
  - plasați instrumentul pe piesa de prelucrat
- ! **asigurați-vă că numai talpa frontală se sprijină pe piesa de prelucrat și că piesa nu se află în contact cu cuțitele**
- porniți rindele apăsând, mai întâi, butonul H ② (= întrerupător de siguranță ce nu poate fi blocat) și trăgând apoi pârghia J ②
- ! **înainte ca piesa de prelucrat să intre în contact cu cuțitele, acestea trebuie să se rotească la viteza de regim**
- ! **în timp ce lucrați, țineți întotdeauna scula de zonă (zonele) de prindere colorate gri ③**
- țineți ferm mașina cu ambele mâini și dirijați-o înainte, cu viteză constantă
- folosiți mașina cu placa sa de bază aplicată pe piesa de prelucrat
- nu înclinați mașina pentru a evita locuri în care nu doriți să efectuați rindeluirea

## ! înainte de oprirea scula, trebuie să o ridicați de pe piesa de prelucrat

- opriți scula prin eliberarea pârghiei J

## SFATURI PENTRU UTILIZARE

- Pentru teșitura colțurilor folosiți cele canelurii V pe talpa din față ⑩
- puneți butonul D în poziția "0" pentru teșirea muchiilor similar cu adâncitura
- pentru adâncituri mai mari rotiți butonul D pentru a selecta adâncimea de rindeluire necesară
- ! **întotdeauna încercați mai întâi pe un rest de material**
- A se vedea alte recomandări la [www.skil.com](http://www.skil.com)

## ÎNTREȚINERE / SERVICE

- Această sculă nu este destinată utilizării profesionale
- Păstrați aparatul și cablul curat (mai ales fantele de ventilație L ②)
- ! **deconectați de la priză înainte de a curăța**
- Dacă în ciuda procedurilor de fabricație și control riguroase scula are totuși o pană, repararea acesteia se va face numai la un atelier de asistență service autorizat pentru scule electrice SKIL
- trimiteți scula **în totalitatea lui** cu bonul de cumpărare la distribuitorul sau la centrul de service SKIL cel mai apropiat (adrese și diagrame de service se găsesc la [www.skil.com](http://www.skil.com))

## MEDIUL

- **Nu aruncați sculele electrice, accesoriile sau ambalajele direct la pubelele de gunoi** (numai pentru țările din Comunitatea Europeană)
  - Directiva Europeană 2002/96/EC face referire la modul de aruncare a echipamentelor electrice și electronice și modul de aplicare a normelor în conformitate cu legislația națională; sculele electrice în momentul în care au atins un grad avansat de uzură și trebuie aruncate, ele trebuie colectate separat și reciclate într-un mod ce respectă normele de protecție a mediului înconjurător
  - simbolul ⑪ vă va reaminti acest lucru

## DECLARAȚIE DE CONFORMITATE CE

- Declaram pe proprie răspundere că acest produs este conform cu următoarele standarde sau documente standardizate: EN 60745, EN 61000, EN 55014, în conformitate cu regulile 2004/108/CE, 2006/42/CE, 2011/65/UE
- **Documentație tehnică la:** SKIL Europe BV (PT-SEU/ENG1), 4825 BD Breda, NL

Marijn van der Hoofden  
Operations & Engineering

Olaf Dijkgraaf  
Approvals Manager

SKIL Europe BV, 4825 BD Breda, NL  
27.06.2013

## ZGOMOT/VIBRAȚII

- Măsurat în conformitate cu EN 60745 nivelul de presiune a sunetului generat de acest instrument este de 90 dB(A) iar nivelul de putere a sunetului 101 dB(A) (abaterea standard: 3 dB), iar nivelul vibrațiilor 5,1 m/s<sup>2</sup> (metoda mână-braț; incertitudine K = 1,5 m/s<sup>2</sup>)
- Nivelul emisiilor de vibrații a fost măsurat în conformitate cu un test standardizat precizat în EN 60745; poate fi folosit pentru a compara o sculă cu alta și ca evaluare preliminară a expunerii la vibrații atunci când folosiți scula pentru aplicațiile menționate
  - utilizarea sculei pentru aplicații diferite sau cu accesorii diferite și prost întreținute poate **crește** semnificativ nivelul de expunere
  - momentele în care scula este oprită sau când funcționează dar nu execută nicio lucrare, pot **reduce** semnificativ nivelul de expunere
- ! **protejați-vă împotriva efectelor vibrațiilor prin întreținerea sculei și a accesoriilor sale, păstrând mâinile calde și organizând procesele de lucru**

BG

Ренде

1558

УВОД

- Уредът се използва за рендосване на дървен материал и също така позволява скосване на тгли
- Този инструмент не е предназначен за

- професионална употреба
- Прочетете и пазете това ръководство за работа ③

## ТЕХНИЧЕСКИ ПАРАМЕТРИ ①

### ЕЛЕМЕНТИ НА ИНСТРУМЕНТА ②

- A Отделение за ключа
- B Осигурителен болт
- C Винтове на режещия блок
- D Копче за задаване на дълбочината на рендосване
- E Индикатор на дълбочината на рендосване
- F Адаптер за прахосмукачка
- G Извод за стърготини
- H Предпазен изключвател
- J Прекъсвач за включване/изключване
- K Уред за V-образни прорези
- L Вентилационните отвори

## БЕЗОПАСНОСТ

### ОБЩИ УКАЗАНИЯ ЗА БЕЗОПАСНА РАБОТА

**⚠ ВНИМАНИЕ!** Прочетете внимателно всички указания. Неспазването на приведените по долу указания може да доведе до токов удар, пожар и/или тежки травми. **Съхранявайте тези указания на сигурно място.** Използваният по-долу термин "електроинструмент" се отнася до захранвани от електрическата мрежа електроинструменти (със захранващ кабел) и до захранвани от акумулаторна батерия електроинструменти (без захранващ кабел).

#### 1) БЕЗОПАСНОСТ НА РАБОТНОТО МЯСТО

- a) **Поддържайте работното си място чисто и подредено.** Безпорядъкът или недостатъчното осветление могат да спомогнат за възникването на трудова злополука.
- b) **Не работете с електроинструмента в среда с повишена опасност от възникване на експлозия, в близост до леснозапалими течности, газове или прахообразни материали.** По време на работа в електроинструментите се отделят искри, които могат да възпламенят прахообразни материали или пари.
- c) **Дръжте деца и странични лица на безопасно разстояние, докато работите с електроинструмента.** Ако вниманието Ви бъде отклонено, може да загубите контрола над електроинструмента.

#### 2) БЕЗОПАСНОСТ ПРИ РАБОТА С ЕЛЕКТРИЧЕСКИ ТОК

- a) **Щепселът на електроинструмента трябва да е подходящ за ползвания контакт. В никакъв случай не се допуска изменение на конструкцията на щепсела. Когато работите със занулени електроруди, не използвайте адаптери за щепсела.** Ползването на оригинални щепсели и контакти намалява риска от възникване на токов удар.
- b) **Избягвайте допира на тялото Ви до заземени тела, напр. тръби, отоплителни уреди, пещи и хладилници.** Когато тялото Ви е заземено, рискът

от възникване на токов удар е по-голям.

- c) **Предпазвайте електроинструмента си от дъжд и влага.** Проникването на вода в електроинструмента повишава опасността от токов удар.
- d) **Не използвайте захранващия кабел за цели, за които той не е предвиден, напр. за да носите електроинструмента за кабела или да извадите щепсела от контакта. Предпазвайте кабела от нагриване, омасляване, допир до остри ръбове или до подвижни звена на машини.** Повредени или усукани кабели увеличават риска от възникване на токов удар.
- e) **Когато работите с електроинструмент навън, използвайте само удължителни кабели, предназначени за работа на открито.** Използването на удължител, предназначен за работа на открито, намалява риска от възникване на токов удар.
- f) **Ако се налага използването на електроинструмента във влажна среда, използвайте предпазен прекъсвач за утечни токове.** Използването на предпазен прекъсвач за утечни токове намалява опасността от възникване на токов удар.

#### 3) БЕЗОПАСЕН НАЧИН НА РАБОТА

- a) **Бъдете концентрирани, следете внимателно дейността си и постъпвайте предпазливо и разумно. Не използвайте електроинструмента, когато сте уморени или под влиянието на наркотични вещества, алкохол или упойващи лекарства.** Един миг разсеяност при работа с електроинструмент може да има за последиствие изключително тежки наранявания.
- b) **Работете с предпазващо работно облекло и винаги с предпазни очила.** Носенето на подходящи за ползвания електроинструмент и извършваната дейност лични предпазни средства, като дихателна маска, здрави плътнотатворени обувки със стабилен грайфер, защитна каска или шумозаглушители (антифони), намалява риска от възникване на трудова злополука.
- c) **Избягвайте опасността от включване на електроинструмента по невнимание. Преди да включите щепсела в захранващата мрежа или да поставите акумулаторната батерия, се уверявайте, че пусковият прекъсвач е в положение изключено.** Ако, когато носите електроинструмента, държите пръста си върху пусковия прекъсвач, или ако подавате захранващо напрежение на електроинструмента, когато е включен, съществува опасност от възникване на трудова злополука.
- d) **Преди да включите електроинструмента, се уверявайте, че сте отстранили от него всички помощни инструменти и гаечни ключове.** Помощен инструмент, забравен на въртящо се звено, може да причини травми.
- e) **Не надценявайте възможностите си. Работете в стабилно положение на тялото и във всеки момент поддържайте равновесие.** Така ще можете да контролирате електроинструмента по-добре и по-безопасно, ако възникне неочаквана ситуация.



- f) **Работете с подходящо облекло. Не работете с широки дрехи или украшения. Дръжте косата си, дрехите и ръкавици на безопасно разстояние от въртящи се звена на електронструментите.** Широките дрехи, украшенията, дългите коси могат да бъдат захванати и увлечени от въртящи се звена.
- g) **Ако е възможно използването на външна аспирационна система, се уверявайте, че тя е включена и функционира изправно.** Използването на аспирационна система намалява рисковете, дължащи се на отделящата се при работа прах.
- 4) ВНИМАТЕЛНО ОТНОШЕНИЕ КЪМ ЕЛЕКТРОИНСТРУМЕНТИ**
- a) **Не претоварвайте електроинструмента. Използвайте електроинструментите само съобразно тяхното предназначение.** Ще работите по-добре и по-безопасно, когато използвате подходящия електроинструмент в зададения от производителя диапазон на натоварване.
- b) **Не използвайте електроинструмент, чиито пусков прекъсвач е повреден.** Електроинструмент, който не може да бъде изключван и включван по предвидения от производителя начин, е опасен и трябва да бъде ремонтиран.
- c) **Преди да промените настройките на електроинструмента, да замените работни инструменти и допълнителни приспособления, канто и когато продължително време няма да използвате електроинструмента, изключвайте щепсела от захранващата мрежа и/или изваждайте акумулаторната батерия.** Тази мярка премахва опасността от задействане на електроинструмента по невнимание.
- d) **Съхранявайте електроинструментите на места, където не могат да бъдат достигнати от деца. Не допуснете те да бъдат използвани от лица, които не са запознати с начина на работа с тях и не са прочели тези инструкции.** Когато са в ръцете на неопитни потребители, електроинструментите могат да бъдат изключително опасни.
- e) **Поддържайте електроинструментите си грижливо. Проверявайте дали подвижните звена функционират безупорно, дали не заклинват, дали има счупени или повредени детайли, които нарушават или изменят функциите на електроинструмента. Преди да използвате електроинструмента, се погрижете повредените детайли да бъдат ремонтирани.** Много от трудовите злополуки се дължат на недобре поддържани електроинструменти и уреди.
- f) **Поддържайте режещите инструменти винаги добре заточени и чисти.** Добре поддържаните режещи инструменти с остри ръбове оказват по-малко съпротивление и се водят по-леко.
- g) **Използвайте електроинструментите, допълнителните приспособления, работните инструменти и т.н., съобразно инструкциите**

**на производителя. С дейности и процедури, евентуално предписани от различни нормативни документи.** Използването на електроинструменти за различни от предвидените от производителя приложения повишава опасността от възникване на трудови злополуки.

## 5) ПОДДЪРЖАНЕ

- a) **Допускайте ремонтът на електроинструментите Ви да се извършва само от квалифицирани специалисти и само с използването на оригинални резервни части.** По този начин се гарантира съхраняване на безопасността на електроинструмента.

## УКАЗАНИЯ ЗА БЕЗОПАСНА РАБОТА С РЕНДЕ

### ОБЩИ

- Машината не трябва да се използва от лица под 16 години
- При работа нивото на шума може да надвиши 85 dB(A); **носете антифони ④**
- Прахът от някои материали, като например съдържаща олово боя, някои видове дървесина, минерали и метали може да бъде вреден (контакт или вдишване на такъв прах могат да причинят алергични реакции и/или респираторни заболявания на оператора или стоящите наблизо лица); **използвайте противопрахова маска ⑤ и работете с аспиращо прахта устройство, когато такова може да бъде свързано**
- Определени видове прах са класифицирани като карциногенни (като прах от дъб и бун) особено когато са комбинирани с добавки за подобряване на състоянието на дървесината; **използвайте противопрахова маска ⑤ и работете с аспиращо прахта устройство, когато такова може да бъде свързано**
- Следвайте дефинираните по БДС изисквания относно запареността за материалите, които желаете да обработвате
- SKIL може да осигури безаварийна работа на електроинструмента само ако се използват оригинални допълнителни приспособления
- Не използвайте инструмента, когато е повреден шнурът; замаяната му следва да се извърши от квалифицирано лице
- **Преди извършването на канвата и да било настройка или смяна на принадлежност винаги изваждайте щепсела от контакта на електрозахранването**

### ПРЕДИ УПОТРЕБА

- Преди включване на инструмента в контакта се уверете, че мрежовото напрежение отговаря на напрежението, обозначено на фирмената табелка на инструмента (инструменти с номинално напрежение 230V или 240V могат да бъдат включени и към захранване с напрежение 220V)
- Избягвайте повреди, които могат да бъдат причинени от винтове, гвоздеи и други метални елементи в обработвания детайл; отстранете ги преди да започнете работа
- Преди работа с инструмента се уверете, че ножовете са регулирани правилно
- Използвайте напълно развити и безопасени разклонители с капацитет 16 A

- Използвайте затягащи приспособления или друг практичен начин за обезопасяване и закрепване на обработвания детайл към стабилна основа (държането на обработвания детайл с ръка или опрян до тялото го прави нестабилен и може да доведе до загуба на контрол)

#### ПРИ УПОТРЕБА

- Дръжте инструмента за изолираните повърхности на ръкохватката, тъй като фрезоващият нож може да опре в неговия захранващ кабел (прерязването на "фазовия" кабел може да доведе до наличие на напрежение на откритите метални части на инструмента и да причини токов удар на оператора)
- Винаги отвеждайте захранващия кабел далеч от движещите се звена на електроинструмента; прехвърлете кабела отзад, далеч от електроинструмента
- Пазете пръстите си от въртящите се ножове
- В случай на електрическа или механична неизправност, изключете незабавно апарата и прекъснете контакта с електрическата мрежа
- Ако кабелът се повреди ил среже по време на работа, не го докосвайте, веднага изключете щепсела, никога не използвайте инструмента с повреден кабел
- Ако отворът за стърготини се запуши, незабавно изключете двигателя, уверете се, че всички движещи се звена са спрели, изключете кабела от захранващата и почистете отвора

#### СЛЕД РАБОТА

- Изчаквайте ножовия вал да спре да се върти, преди да оставите рендето (в противен случай ножовете може да захванат повърхността, да загубите контрол над инструмента и да пострадате тежко)

#### УПОТРЕБА

- Смяна/обръщане на ножовете ⑥  
Ренде е снабдено с двойно-заточени ножове за еднократна употреба; когато едната страна се захابي, използвайте другата
- ! **изключете инструмента и извадете захранващия кабел**
- вземете гаечния ключ от отделение А
- обърнете инструмента надолу
- разхлабете трите болта В с гаечния ключ (не ги махайте)
- извадете ножа от ножовия вал с помощта на парче дърво
- поставете отново ножа от обратната му страна или го сменете с друг

! **прорезът на ножа трябва да съпада с изпъкналия край на ренежния блок**

! **двата края на ножа трябва да се подават равномерно**

- затегнете здраво трите болта В с гаечния ключ

! **сменяйте/обръщайте ножовете своевременно; използвайте само остри ножове**

! **винаги сменяйте/обръщайте двата ножа едновременно**

! **не се опитвайте да регулирате ножовете с винтовете на ренежния блок G, които са предварително настроени по време на**

#### производството

- Регулиране на дълбочината на рендосване ⑦
  - завъртете копчето D в посока "+"/"- " за увеличаване/намаляване на планираната дълбочина
  - използвайте индикатора E като еталон
  - винаги избирайте плитка дълбочина на рендосване и повтаряйте рендосването и регулирането до постигане на необходимата дълбочина
- Извод за стърготини ⑧
  - свържете прахосмукачка с адаптер F с изхода за стърготини G, както е илюстрирано
  - ! **не се опитвайте да премахвате евентуални обструкции пред извода за стърготини, докато ножовете се въртят**
- Работа с инструмента
  - регулирайте дълбочината на рендосване
  - поставете инструмента върху дървения материал
  - ! **поставете само предната част върху дървения материал – ножовете не трябва да го докосват**
  - включете инструмента, като първо натиснете прекъсвача H ② (= не се застопорява) и след това натиснете застопоряващия бутон J ②
  - ! **инструментът трябва да работи на пълна скорост, преди ножовете да достигнат до дървения материал**
  - ! **по време на работа, винаги дръжте уреда за оцветената(ите) в сиво зона(и) за хващане ⑨**
  - дръжте рендето здраво с две ръце и го насочете напред с правилниейно постъпателно движение
  - притискайте рендето с работната му повърхност към дървения материал
  - не накланяйте рендето, за да избегнете нежелани изкривявания
  - ! **преди да изключите инструмента, трябва да я вдигнете от работната повърхност**
  - изключете инструмента с натискане на бутон J

#### УКАЗАНИЯ ЗА РАБОТА


- За скосяване на ъгли използвайте V-образните канали върху предната ⑩
  - поставете копчето D в позиция "0" за скъсени ръбове подобни на прорез
  - за по-големи прорези, завъртете копчето D, за да изберете необходимата ви дълбочина на прореза
  - ! **винаги изпробвайте първо върху ненужно парче материал**
- За повече полезни указания вж. [www.skil.com](http://www.skil.com)

#### ПОДДРЪЖКА / СЕРВИЗ

- Този инструмент не е предназначен за професионална употреба
- Поддържайте винаги електроинструмента и захранващия кабел чисти (особено вентилационните отвори L ②)
  - ! **преди почистване изключете щепсела**
- Ако въпреки прецизното производство и внимателно изпитване възникне повреда, инструмента да се занесе за ремонт в оторизиран сервиз за електроинструменти на SKIL
  - занесете инструмента в неразглобен вид заедно с доказателство за покупката му в

търговския обект, откъдето сте го закупили, или в най-близкия сервиз на SKIL (адресите, както и схемата за сервизно обслужване на електроинструмента, можете да намерите на адрес [www.skil.com](http://www.skil.com))

## ОПАЗВАНЕ НА ОКОЛНАТА СРЕДА

- **Не изхвърляйте електроуредите, приспособленията и опановните заедно с битови отпадъци** (само за страни от ЕС)
  - съобразно Директивата на ЕС 2002/96/EG относно износени електрически и електронни уреди и отразяването ѝ в националното законодателство износените електроуреди следва да се събират отделно и да се предават за рециклиране според изискванията за опазване на околната среда
  - за това указва символът  тогава когато трябва да бъдат унищожени

## ДЕКЛАРАЦИЯ ЗА СЪОТВЕТВИЕ

- Декларираме на изцяло наша отговорност, че това изделие е съобразено със следните стандарти или стандартизирани документи: EN 60745, EN 61000, EN 55014, в съответствие с нормативната уредба на 2004/108/EG, 2006/42/EG, 2011/65/EC
- **Подробни технически описания при:** SKIL Europe BV (PT-SEU/ENG1), 4825 BD Breda, NL

Marijn van der Hoofden  
Operations & Engineering

Olaf Dijkgraaf  
Approvals Manager



SKIL Europe BV, 4825 BD Breda, NL  
27.06.2013

## ШУМ/ВИБРАЦИИ

- Измерено в съответствие с EN 60745 нивото на звуково налягане на този инструмент е 90 dB(A) а нивото на звукова мощност е 101 dB(A) (стандартно отклонение: 3 dB), а вибрациите са 5,1 m/c<sup>2</sup> (метод ръка-рамо; неопределеност K = 1,5 m/c<sup>2</sup>)
- Нивото на предадените вибрации е измерено в съответствие със стандартизирания тест, определен в EN 60745; то може да се използва за сравнение на един инструмент с друг и като предварителна оценка на подлагането на вибрации при използването на инструмента за посочените приложения
  - използването на инструмента за различни от тези приложения или с други, или лошо поддържани аксесоари може значително **да повиши** нивото на което сте подложени
  - периодите от време, когато инструмента е изключен или съответно включен, но с него не се работи в момента могат значително **да намалят** нивото на което сте подложени


**! предпазвайте се от ефектите от вибрациите, като поддържате инструмента и аксесоарите му, пазете ръцете си топли и организирате вашите модели на работа**

SK

Hoblík

1558

## ÚVOD

- Toto náradie je určené na hobl'ovanie drevených materiálov ako sú trámy a dosky; je tiež vhodný pre zrážanie hrán
- Tento nástroj nie je vhodný pre profesionálne použitie
- Prečítajte a uschovajte tento návod na použitie 

## TECHNICKÉ ŠPECIFIKÁCIE

### ČASTI NÁSTROJA

- A** Úložné miesto pre kľúč
- B** Bezpečnostná matica
- C** Skrutky rezný blok
- D** Tlačidlo pre nastavovanie hĺbky hobl'ovania
- E** Indikátor hĺbky hobl'ovania
- F** Adaptér na vysávač
- G** Výstup na hoblínu
- H** Bezpečnostný spínač
- J** Spínač zapnutie/vypnutie
- K** V-drážka
- L** Vetracie štrbiny

## BEZPEČNOSŤ

### VŠEOBECNÉ BEZPEČNOSTNÉ POKYNY

**⚠ POZOR! Prečítajte si všetky výstražné upozornenia a bezpečnostné pokyny.** Zanedbanie dodržiavania výstražných upozornení a pokynov uvedených v nasledujúcom texte môže mať za následok zásah elektrickým prúdom, spôsobí požiar a/alebo ťažké poranenie. **Tieto výstražné upozornenia a bezpečnostné pokyny starostlivo uschovajte na budúce použitie.** Pojem ručné "elektrické náradie" používaný v nasledujúcom texte sa vzťahuje na ručné elektrické náradie napájané zo siete (s prírodnou šnúrou) a na ručné elektrické náradie napájané akumulátorovou batériou (bez prírodnej šnúry).

### 1) BEZPEČNOSŤ NA PRACOVISKU

- Udržiavajte svoje pracovisko čisté a upratané.** Neporiadok na pracovisku alebo neosvetlené časti pracoviska môžu viesť k úrazom.
- Nepracujte elektrickým náradím v prostredí ohrozenom výbuchom, v ktorom sa nachádzajú horľavé kvapaliny, plyny alebo prach.** Elektrické náradie produkuje iskry, ktoré môžu prach alebo pary zapáliť.
- Deťi a iné osoby udržiavajte počas práce od ručného elektrického náradia v dostatočnej vzdialenosti.** V prípade odpútania Vašej pozornosti by ste mohli stratiť kontrolu nad náradím.

### 2) ELEKTRICKÁ BEZPEČNOSŤ

- Zástrčka prírodnej šnúry sa musí hodiť do napájaciej zásuvky. Zástrčka sa v žiadnom prípade nesmie meniť.** Pri uzmenených spotrebiteľoch **nepoužívajte spolu s nimi žiadne adaptéry.** Nezmenená zástrčka a vhodná zásuvka znižujú riziko

- zásahu elektrickým prúdom.
- b) **Vyhýbajte sa telesnému kontaktu s povrchovými plochami uzemnených spotrebičov, ako sú elektrické rúry, vyhrievacie tešesá, sporáky a chladničky.** Keď je Vaše telo uzemnené, riziko zásahu elektrickým prúdom je vyššie.
  - c) **Chráňte ručné elektrické náradie pred dažďom a vlhkom.** Vniknutie vody do ručného elektrického náradia zvyšuje riziko zásahu elektrickým prúdom.
  - d) **Nepoužívajte prívodnú šnúru na prenášanie náradia, na jeho vešanie, ani za ňu nevyťahujte zástrčku zo zásuvky. Prívodnú šnúru chráňte pred horúcou, olejom, ostrými hranami alebo pohybujúcimi sa časťami náradia.** Poškodené alebo zauzlené šnúry zvyšujú riziko zásahu elektrickým prúdom.
  - e) **Ak pracujete s ručným elektrickým náradím vonku, používajte len také predlžovacie šnúry, ktoré sú schválené pre používanie vo vonkajších priestoroch.** Používanie predlžovacej šnúry určenej do vonkajšieho prostredia znižuje riziko zásahu elektrickým prúdom.
  - f) **Ak sa nedá vyhnúť použitiu ručného elektrického náradia vo vlhkom prostredí, použite prerušovač uzemňovacieho obvodu.** Používanie prerušovača uzemňovacieho obvodu znižuje riziko zásahu elektrickým prúdom.
- ### 3) BEZPEČNOSŤ OSÔB
- a) **Buďte pozorní, dávajte pozor na to, čo robíte a k práci s elektrickým náradím pristupujte rozumne. Nepoužívajte elektrické náradie, keď ste unavení alebo keď ste pod vplyvom drog, alkoholu alebo liekov.** Chvíľa nepozornosti pri používaní náradia môže viesť k vážnym poraneniam.
  - b) **Noste osobné ochranné pomôcky, ochranný odev a vždy majte nasadené ochranné okuliare.** Nosenie pracovného odevu a používanie ochranných pomôcok ako ochrannej dýchacej masky, bezpečnostných protišmykových topánok, prilby alebo chrániča sluchu, podľa druhu elektrického náradia, znižuje riziko poranenia.
  - c) **Vyhýbajte sa neúmyselnému uvedeniu ručného elektrického náradia do činnosti. Pred zasunutím zástrčky do zásuvky a/alebo pred pripojením akumulátora, pred chytním alebo prenášaním ručného elektrického náradia sa vždy presvedčte sa, či je ručné elektrické náradie vypnuté.** Ak budete mať pri prenášaní ručného elektrického náradia prst na vypínači, alebo ak ručné elektrické náradie pripojíte na elektrickú sieť zapnuté, môže to mať za následok nehodu.
  - d) **Skôr ako ručné elektrické náradie zapnete, odstráňte nastavovacie a montážne nástroje.** Nástroj alebo kľúč, ktorý sa nachádza v pohyblivej časti náradia, môže spôsobiť poranenie.
  - e) **Neprečunujte sa. Zabezpečte si pevný postoj a neprestajne udržiavajte rovnováhu.** Takto budete môcť ručné elektrické náradie v neočakávaných situáciách lepšie kontrolovať.
  - f) **Pri práci noste vhodný pracovný odev. Nenoste široké odevy a nemajte na sebe šperky. Dbajte na to, aby ste mali vlasy, odev a rukavice v dostatočnej vzdialenosti od pohybujúcich sa častí náradia.**

- Pohybujúce sa časti náradia by mohli zachytiť voľné oblečenie, šperky alebo dlhé vlasy.
- g) **Ak možno namontovať zariadenie na odsávanie alebo zachytávanie prachu, presvedčte sa, či je pripojené a správne používané.** Používanie odsávacieho zariadenia a zariadenia na zachytávanie prachu znižuje riziko ohrozenia zdravia prachom.
- ### 4) STAROSTLIVÉ ZAOBCHÁDZANIE S ELEKTRICKÝM NÁRADÍM A JEHO POUŽÍVANIE
- a) **Náradie nepreťažujte. Pre svoju prácu používajte určené elektrické náradie.** Pomocou vhodného ručného elektrického náradia budete môcť v uvedenom rozsahu výkonu pracovať lepšie a bezpečnejšie.
  - b) **Nepoužívajte žiadne ručné elektrické náradie, ktoré má pokazený vypínač.** Ručné elektrické náradie, ktoré sa už nedá zapínať alebo vypínať, je nebezpečné a treba ho dať opraviť.
  - c) **Skôr ako začnete náradie nastavovať alebo prestavovať, vymieňať príslušenstvo alebo skôr, ako odložíte náradie, vždy vyťahnite zástrčku sieťovej šnúry zo zásuvky.** Toto bezpečnostné opatrenie zabraňuje neúmyselnému spusteniu náradia.
  - d) **Nepoužívané ručné elektrické náradie uschovávajte mimo dosahu detí. Nedopusťte, aby ručné elektrické náradie používali osoby, ktoré s ním nie sú dôkladne oboznámené, alebo ktoré si neprečítali tento Návod na používanie.** Ak ručné elektrické náradie používajú neskúsené osoby, stáva sa nebezpečným nástrojom.
  - e) **Elektrické náradie starostlivo ošetrujte. Skontrolujte, či pohyblivé súčasti náradia bezchybne fungujú a neblokujú a či nie sú zlomené alebo poškodené niektoré súčasti, ktoré by mohli negatívne ovplyvniť fungovanie ručného elektrického náradia. Pred použitím ručného elektrického náradia dajte poškodené súčasti opraviť.** Nejednen úraz bol spôsobený zle udržiavaným náradím.
  - f) **Používané nástroje udržiavajte ostré a čisté.** Starostlivo ošetrované nástroje s ostrými reznými hranami sa menej často zablokujú a ich vedenie je podstatne ľahšie.
  - g) **Používajte ručné elektrické náradie, príslušenstvo, pracovné nástroje a a pod. podľa týchto pokynov. Zohľadnite pritom konkrétne pracovné podmienky a činnosť, ktorú máte vykonať.** Používanie ručného elektrického náradia na iné ako určené účely môže viesť k nebezpečným situáciám.
- ### 5) SERVIS
- a) **Ručné elektrické náradie zverte do opravy len kvalifikovanému personálu a používajte len originálne náhradné súčasti.** Tým sa zabezpečí zachovanie bezpečnosti ručného elektrického náradia.

## BEZPEČNOSTNÉ POKYNY PRE HOBLIKY

### VŠEOBECNE

- Tento nástroj by nemali používať osoby mladšie ako 16 rokov
- Hlasitosť zapnutého prístroja môže byť viac aké 85 dB(A); **chráňte si uši ochrannými krycimi prostriedkami** ④
- Prach z materiálu, akým je náter obsahujúci olovo,

niektoré druhy dreva, minerály a kovy môže byť škodlivý (styk alebo nadýchanie prachu môže spôsobiť alergické reakcie a/alebo respiračné ochorenia obsluhu a okolostojacich osôb); **používajte ochrannú masku tváre ⑤ a pracujte so zariadením na odsávanie prachu, ak je takéto zariadenie možné pripojiť**

- Určité druhy prachu sú klasifikované ako karcinogénne (akým dubový a bukový prach), a to hlavne v spojení s prísadami pre úpravu dreva; **používajte ochrannú masku tváre ⑤ a pracujte so zariadením na odsávanie prachu, ak je takéto zariadenie možné pripojiť**
- Dodržujte stanovené nariadenia pre prácu v prašnom prostredí
- SKIL zabezpečí hladký chod nástroja len ak sa používa pôvodné príslušenstvo
- Nikdy nepoužívajte nástroj ak je šnúra poškodená; šnúru musí vymeniť kvalifikovaná osoba
- **Pri nastavovaní alebo výmene príslušenstva vždy vyťahnite prívodný kábel zo zásuvky**

#### PRED POUŽITÍM

- Vždy skontrolujte či je napájacie napätie rovnaké ako napätie uvedené na štítku nástroja (nástroj s menovitým napätím 230V alebo 240V môžete pripojiť aj do siete s napätím 220V)
- Zabráňte poškodeniu náradia skrutkami, klincami a inými kovovými predmetmi v obročku; zoberte ich dole prv než začnete pracovať
- Pred použitím nástroja skontrolujte, že sa nože nikde neotierajú
- Používajte úplne odmotanú a bezpečnú predlžovaciu šnúru s kapacitou 16 A
- **Obrábaný predmet upevnite svorkami alebo iným praktickým spôsobom k stabilnému podstavcu** (obrábaný predmet nedržte iba v rukách ani oproti telu, pretože tak nemôžete zabezpečiť jeho stabilitu a môže sa vám vymknúť spod kontroly)

#### POČAS PRÁCE

- **Elektrické náradie držte za izolované plochy rukoväti, pretože rezný nástroj by sa mohol dotknúť vlastnej prívodnej šnúry** (kontakt s vodičom pod napätím, spôsobí, že aj kovové súčiastky náradia sa dostanú pod napätie, čo môže spôsobiť zásah operátora elektrickým prúdom)
- Elektrickú šnúru udržiavajte vždy mimo pohybujúcich sa častí nástroja; elektrickú šnúru vždy smerujte dozadu, mimo nástroja
- Držte prsty mimo dosahu rotačných nožov
- V prípade elektrickej alebo mechanickej poruchy zastavte okamžite nástroj a vyťahnite zástrčku z nástennej zásuvky
- Ak je sieťová šnúra poškodená alebo ak sa prereže počas prevádzky, nedotýkajte sa jej ale ju ihneď odpojte z hlavnej elektrickej siete
- Keď uviazne hoblina vo vývodu, vypnete motor a skontrolujte, či sa rotujúci časti zastavili, vyťahnite zástrčku a odstráňte uviazlou hoblinu

#### PO PRÁCI

- **Pred vybratím nástroja počkajte, kým sa rezný blok zastaví** (odhalený nôž sa môže dotknúť povrchu, čo by viedlo k novej strate kontroly a vážnemu zraneniu)

#### POUŽITIE

- Výmena/obracanie nožov ⑥  
Hoblik je vybavený neobrúšiteľnými nožmi s reznými

hranami na oboch stranách; preto, ak sa jedna strana otupí, môže sa použiť druhá strana

#### **! nástroj vypnite a vyťahnite zo zásuvky**

- vyberte kľúč z úložného miesta A
- otočte nástroj naopak
- kľúčom uvoľnite tri skrutky B (skrutky nevyberajte)
- vytlačte nôž z rezného bloku kúskom dreva
- zložte nôž naspäť do rezného bloku v obrátenej pozícii alebo použite nový nôž
- **! drážka na noži by sa mala zhodovať s okrajovou lištou na reznom bloku**
- **! oba konce noža by mali vyčnievať rovnako**
- kľúčom pevne utiahnite tri skrutky B
- **! meňte/obracajte nože včas; používajte len ostré nože**
- **! vždy vymieňajte/obracajte oba nože naraz**
- **! nepokúšajte sa nastaviť nože skrutkami rezný blok C, ktoré sú prednastavené pri výrobe**

- Nastavovanie hĺbky hobl'ovania ⑦
  - otočením tlačidla D v smere "+"/"- zvyšujte/znižujte hĺbku hobl'ovania
  - používajte indikátoru E ako referenciu
  - vždy vyberte plytkú hĺbku hobl'ovania a opakujte proces hobl'ovania a nastavovania, kým sa nedosiahne požadovaná hĺbka
- Výstup na hobliny ⑧
  - pripojte odsávač hoblín s adaptérom F k výstupu na hobliny G tak, ako to je znázornené na obrázku
  - **! pokiaľ sa nože otáčajú, nepokúšajte sa odstrániť akékoľvek prekážky z výstupu na hobliny**
- Prevádzka nástroja
  - nastavte hĺbku hobl'ovania
  - položte nástroj na obrábaný kus
  - **! uistite sa, že obrábaného kusa sa dotýka len predný chránič a nože sa nedotýkajú**
  - zapnite prístroj tak, že najprv stlačíte tlačidlo H ② (= bezpečnostný spínač, ktorý nemožno zamknúť) a potom zatiahnete spínač J ②
  - **! skôr než sa nože dotknú obrábaného kusa, mal by nástroj bežať pri plnej rýchlosti**
  - **! počas práce vždy držte nástroj v oblasti sivého držadla(ie) ③**
  - držte nástroj pevne oboma rukami a ved'te ho smerom dopredu plynulým ťahom
  - použite nástroj so svojou základnou doskou na obrábanom kuse
  - nenakláňajte nástroj, aby sa netvorili nechcené stopy po hobl'ovaní
  - **! pred vypnutím nástroja by ste ho mali zdvihnúť z miesta obrábania**
  - vypnite nástroj uvoľnením tlačidla J

#### RADU NA POUŽITIE

- Na zrážanie hrán používajte V-poldtážku v prednej pätké ⑩
  - nastavte tlačidlo D do polohy "0" pre zrážanie hrán podobných ako drážka
  - pre väčšie drážky vyberte požadovanú hĺbku hobl'ovania otočením tlačidla D
  - **! vždy to najskôr vyskúšajte na kúsku odpadového materiálu**
- Viac rád nájdete na [www.skil.com](http://www.skil.com)

## ÚDRŽBA / SERVIS

- Tento nástroj nie je vhodný pre profesionálne použitie
- Nástroj a sieťovú šnúru udržiavajte stále čisté (zvlášť vetracie štrbiny L ②)
- **! pred čistením odpojte z elektrickej siete**
- Ak by nástroj napriek starostlivej výrobe a kontrole predsa len prestal niekedy fungovať, treba dať opravu vykonať autorizovanej servisnej opravovni elektrického náradia SKIL
  - pošlite nástroj **bez rozmontovania** spolu s dôkazom o kúpe; vášmu dilerovi alebo do najbližšieho servisného strediska SKIL (zoznam adries servisných stredísk a servisný diagram nástroja sú uvedené na [www.skil.com](http://www.skil.com))

## ŽIVOTNÉ PROSTREDIE

- **Elektrické náradie, príslušenstvo a balenia nevyhadzujte do komunálneho odpadu** (len pre štáty EÚ)
  - podľa európskej smernice 2002/96/EG o nakladaní s použitými elektrickými a elektronickými zariadeniami a zodpovedajúcich ustanovení právnych predpisov jednotlivých krajín sa použité elektrické náradie musí zbierať oddelene od ostatného odpadu a podrobiť ekologickej šetrnej recyklácii
  - pripomenie vám to symbol ①, keď ju bude treba likvidovať

## VYHLÁSENIE O ZHODE CE

- Výhradne na našu vlastnú zodpovednosť prehlasujeme, že tento výrobok zodpovedá nasledujúcim normám alebo normovaným dokumentom: EN 60745, EN 61000, EN 55014, v súlade s predpismi 2004/108/EG, 2006/42/EG, 2011/65/EU
- **Súbor technickej dokumentácie sa nachádzajú na adrese:** SKIL Europe BV (PT-SEU/ENG1), 4825 BD Breda, NL

Marijn van der Hoofden  
Operations & Engineering

Olaf Dijkgraaf  
Approvals Manager

SKIL Europe BV, 4825 BD Breda, NL  
27.06.2013

## HLUKU/VIBRÁCIÁCH

- Merané podľa EN 60745 je úroveň akustického tlaku tohto nástroja 90 dB(A) a úroveň akustického výkonu je 101 dB(A) (štandardná odchýlka: 3 dB), a vibrácie sú 5,1 m/s<sup>2</sup> (metóda ruka - paža; nepresnosť K = 1,5 m/s<sup>2</sup>)
- Hladina emisií od vibrácií bola nameraná v súlade s normalizovaným testom uvedeným v norme EN 60745; môže sa používať na vzájomné porovnanie náradí a na predbežné posúdenie vystavenia účinkom vibrácií pri používaní náradia pre uvedené aplikácie
  - používanie náradia na rôzne aplikácie, alebo v spojení s rôznymi alebo nedostatočne udržiavanými doplnkami môže značne **zvýšiť** úroveň vystavenia
  - časové doby počas ktorých je je náradie vypnuté alebo počas ktorých náradie beží ale v skutočnosti nevykonáva prácu môžu značne **znižiť** úroveň

vystavenia

**! chráňte sa pred účinkami vibrácií tak, že budete náradie a jeho príslušenstvo správne udržiavať, tak že nebudete pracovať so studenými rukami a tak že si svoje pracovné postupy správne zorganizujete**

HR

## Blanjatica

1558

## UVOD

- Ovak alat namijenjen je za blanjanje drvenih materijala kao što su grede i daske; prikaldan je i za struganje rubova
- Ovak uređaj nije namijenjen profesionalnoj upotrebi
- Pažljivo pročítajte i sačuvajte ove upute za rukovanje ③

## TEHNIČKI PODACI ①

### DIJELOVI ALATA ②

- A Skladište za ključ
- B Sigurnosni vijak
- C Vijci bloka za rezanje
- D Ručica za podešavanje dubine blanja
- E Indikator dubine blanja
- F Priključak usisavača prašine
- G Odvod za strugotinu
- H Sigurnosni prekidač
- J Prekidač uključeno/isključeno
- K V-utor
- L Otvori za struganje zraka

## SIGURNOST

### OPĆE UPUTE ZA SIGURAN RAD

**⚠ PAŽNJA! Treba pročítati sve napomene o sigurnosti i upute.** Ako se ne bi poštilave napomene o sigurnosti i upute to bi moglo uzrokovati strujni udar, požar i/ili teške ozljede. **Sačuvajte sve napomene o sigurnosti i upute za buduću primjenu.** U daljnem tekstu korišten pojam "električni alat" odnosi se na električne alate s priključkom na električnu mrežu (s mrežnim kabelom) i na električne alate s napajanjem iz aku baterije (bez mrežnog kabela).

### 1) SIGURNOST NA RADNOM MJESTU

- Vaše radno područje održavajte čisto i uredno.** Nered ili neosvijetljeno radno područje mogu doći do nezgoda.
- S uređajem ne radite u okolini ugroženoj eksplozijom, u kojoj se nalaze zapaljive tekućine, plinovi ili prašina.** Električni alati proizvode iskre koje mogu zapaliti prašinu ili pare.
- Djecu i ostale osobe držite dalje tijekom korištenja električnog alata.** Ako bi skrenuli pozornost sa posla mogli bi izgubiti kontrolu nad uređajem.

### 2) ELEKTRIČNA SIGURNOST

- Priključni utikač uređaja treba odgovarati utičnici.** Na utikaču se ni u kojem slučaju ne smiju izvoditi

- izmjene. Ne koristite adapterske utikače zajedno sa uređajima koji su zaštićeni uzemljenjem. Originalni utikač i odgovarajuće utičnice smanjuju opasnost od električnog udara.
- b) **Izbjegavajte dodir tijela s uzemljenim površinama kao što su cijevi, centralno grijanje, štednjaci i hladnjaci.** Postoji povećana opasnost od električnog udara ako je vaše tijelo uzemljeno.
  - c) **Držite uređaj dalje od kiše ili vlage.** Prodiranje vode u električni uređaj povećava opasnost od električnog udara.
  - d) **Priključni kabel ne koristite za nošenje, vješanje ili za izvlačenje utikača iz utičnice. Držite kabel dalje od izvora topline, ulja, oštrih rubova ili pomičnih dijelova uređaja.** Oštećen ili usukan kabel povećava opasnost od električnog udara.
  - e) **Ako s električnim uređajem radite na otvorenom, koristite samo produžni kabel odobren za uporabu na otvorenom.** Primjena produžnog kabela prikladnog za uporabu na otvorenom smanjuje opasnost od električnog udara.
  - f) **Ako se ne može izbjeći uporaba električnog alata u vlažnoj okolini, upotrijebite sigurnosna sklopka za propuštanje u zemlju.** Upotrebom sigurnosne sklopke za propuštanje u zemlju smanjuje se opasnost od električnog udara.
- 3) SIGURNOST LJUDI**
- a) **Budite oprezni, pazite što činite i postupajte razumno kod rada s električnim alatom. Ne koristite uređaj ako ste umorni ili pod utjecajem opojnih sredstava, alkohola ili lijekova.** Trenutak nepažnje kod uporabe uređaja može doći do ozbiljnih ozljeda.
  - b) **Nosite sredstva osobne zaštite i uvijek zaštitne naočale.** Nošenje sredstava osobne zaštite, kao što je zaštitna maska, sigurnosne cipele koje ne klize, zaštitne kacige ili štitnika za sluh, ovisno od vrste i primjene električnog alata, smanjuje opasnost od nezgoda.
  - c) **Izbjegavajte nehotično puštanje u rad. Prije nego što ćete utaknuti utikač u utičnicu i/ili staviti akubateriju, provjerite je li električni alat isključen.** Ako kod nošenja električnog alata imate prst na prekidaču ili se uključen uređaj priključi na električno napajanje, to može dovesti do nezgoda.
  - d) **Prije nego što uređaj uključite, uklonite alate za podešavanje ili vijčane ključeve.** Alat ili ključ koji se nalazi u rotirajućem dijelu uređaja može doći do nezgoda.
  - e) **Ne procjenjujte svoje sposobnosti. Zauzmite siguran i stabilan položaj tijela i držite u svakom trenutku ravnotežu.** Na taj način možete uređaj bolje kontrolirati u neočekivanim situacijama.
  - f) **Nosite prikladnu odjeću. Ne nosite široku odjeću ili nakit. Neka vaša kosa, odjeća i rukavice budu što dalje od pomičnih dijelova.** Mlohavu odjeću, nakit ili dugu kosu mogu zahvatiti pomični dijelovi uređaja.
  - g) **Ako se mogu montirati naprave za usisavanje i hvatanje prašine, provjerite da li su iste priključene i da li se pravilno koriste.** Primjena naprave za usisavanje može smanjiti opasnost od prašine.
- 4) BRIŽLJIVA UPORABA ELEKTRIČNIH ALATA**
- a) **Ne preopterećujte uređaj. Koristite za vaše radove za to predviđeni električni alat.** S odgovarajućim električnim alatom radit ćete bolje i sigurnije, u

navedenom području učinka.

- b) **Ne koristite električni alat čiji je prekidač neispravan.** Električni alat koji se više ne može uključiti ili isključiti, opasan je i treba se popraviti.
  - c) **Izvučite utikač iz mrežne utičnice i/ili izvadite akubateriju prije podešavanja uređaja, zamjene pribora ili odlaganja uređaja.** Ovim mjerama opreza spriječit će se nehotično pokretanje uređaja.
  - d) **Nekorištene električne alate spremite izvan dosega djece. Ne dopustite da uređaj koriste osobe koje s njim nisu upoznate ili koje nisu pročitale upute za uporabu.** Električni alati su opasni ako ih koriste neiskusne osobe.
  - e) **Uređaj održavajte s pažnjom. Kontrolirajte da li pomični dijelovi uređaja besprijekorno rade i da nisu zaglavljivi, te da li su dijelovi polomljeni ili tako oštećeni da negativno djeluju na funkciju uređaja. Popravite oštećene dijelove prije uporabe uređaja.** Mnoge nezgode imaju svoj uzrok u loše održanim uređajima.
  - f) **Rezne alate održavajte oštrim i čistim.** Pažljivo održavani rezni alati s oštrim oštricama neće se zaglaviti i lakši su za vođenje.
  - g) **Koristite električne alate, pribor, radne alate, itd., prema navedenim uputama. Pri tome uzmite u obzir radne uvjete i radove koje se izvode.** Uporaba električnih alata za neke druge primjene različite od predviđenih, može doći do opasnih situacija.
- 5) SERVIS**
- a) **Popravak uređaja prepustite samo kvalificiranom stručnom osoblju i samo s originalnim rezervnim dijelovima.** Na taj će se način postići održanje stalne sigurnosti uređaja.

## SIGURNOSNE UPUTE ZA BLANJALICE

### OPĆENITO

- Uređaj ne bi smjele koristiti osobe mlađe od 16 godina
  - Razina buke kod rada može premašiti 85 dB(A); **nositi štitnike za sluh** ④
  - Prašina od materijala kao što su boje koje sadrže olovo, neke vrste drveća, minerali i metal mogu biti opasne (dodir s prašinom ili njeno udisanje mogu prouzročiti alergične reakcije i/ili respiratorna oboljenja rukovatelja ili posmatrača); **nosite masku za zaštitu od prašine** ⑤ i **radite s uređajem za ekstrakciju prašine ukoliko ga možete priključiti**
  - Određene vrste prašine klasificiraju se kao karcinogenske (kao što su prašina hrastovine i bukovine), osobito u sudejstvu s aditivima za kondicioniranje drveta; **nosite masku za zaštitu od prašine** ⑤ i **radite s uređajem za ekstrakciju prašine ukoliko ga možete priključiti**
  - Nacionalni uvjeti za materijale s kojima želite raditi
  - SKIL može osigurati besprijekoran rad uređaja samo ako se koristi originalni pribor
  - Nikad ne upotrebljavajte alat kad su kabel oštećeni; neka iz zamijeni kvalificirana osoba
  - **Prije svih radova održavanja, podešavanja ili izmjene alata i pribora treba izvući utikač iz mrežne utičnice**
- PRIJE UPORABE**
- Uvijek provjerite je li napon napajanja isti kao onaj naveden na tipskoj pločici uređaja (uređaji označeni s

- 230V ili 240V mogu raditi i na 220V)
- Izbjegavajte oštećenja od vijaka, čavala i sličnih predmeta na vašem izratku; prije početka rada ih izvadite
- Prije upotrebe alata provjerite da noževi nigdje ne dodiruju alat
- Upotrebljavajte samo neodmotane i zaštićene produžne kabele kapaciteta 16 ampera
- Koristite stezaljke ili drugi praktičan način za učvršćenje i potporu izratka na stabilnoj platformi** (držanje rada rukom ili njegovo naslanjanje na tijelo čini ga nestabilnim i može dovesti do gubitka kontrole)

#### TIJEKOM UPORABE

- Uređaj držite samo na izoliranim ručkama jer rezač može doći u dodir s vlastitim kablom** (rezanje vodova pod naponom može metalne dijelove električnog alata staviti pod napon, a rukovatelj bi mogao pretrpjeti električni udar)
- Kabel uvijek držati dalje od rotirajućih dijelova uređaja; kabel povlačiti iza uređaja
- Prste držite podalje od rotirajućih noževa
- U slučaju neuobičajenog ponašanja uređaja ili neobičnih šumova, uređaj treba odmah isključiti i izvući utikač iz mrežne utičnice
- Ako se tijekom rada priključni kabel ošteti ili odreže, ne dirati priključni kabel, nego odmah izvući mrežni utikač
- Ako se otvor za strugotine začepi, alat isključite, uvjerite se da su se svi pokretni dijelovi zaustavili, odspojite utikač iz utičnice i uklonite strugotine

#### NAKON UPORABE

- Pričekajte da se blok za rezanje zaustavi prije nego li spustite alat** (izloženi nož može zahvatiti površinu, što može doći do gubitka kontrole i ozbiljnih povreda)

### POSLUŽIVANJE

- Mijenjanje/okretanje noževa ⑥  
Ova blanjica opremljena je noževima koji se ne mogu oštriti i koji sadrže oštrice s obje strane; ako jedna strana otupi, možete koristiti drugu  
**! isključite uređaj i odspojite utikač**  
- izvadite ključ iz skladišta A  
- okrenite alat naopak  
- ključem otpustite 3 vijka B (ne uklanjajte vijke)  
- komadom drva gurnite nož iz bloka za rezanje  
- preokrenite nož i vratite ga u blok za rezanje ili upotrijebite novi nož  
**! u tor na nožu treba se poklopiti s ležištem na bloku za rezanje**  
**! oba kraja noža trebaju podjednako izvirivati**  
- ključem snažno pričvrstite 3 vijka B  
**! na vrijeme mijenjajte/okrećite noževe; koristite samo oštre noževe**  
**! uvijek mijenjajte/okrećite oba noža istovremeno**  
**! ne pokušavajte podesiti noževe C vijcima bloka za rezanje, jer se oni podesavaju tvornički**
- Prilagodba dubine blanjanja ⑦  
- okrećite ručicu D u smjeru "+"/"-" da biste povećali/smanjili dubinu blanjanja  
- kao referencu koristite indikatora E  
- uvijek odabirite malu dubinu i ponavljajte postupak prilagođavanja i blanjanja sve dok se ne postigne potrebna dubina

- Odvod za strugotinu ⑧  
- priključite usisivač s adapterom F na odvod za strugotinu G kao na slici  
**! ne pokušavajte odstraniti nikakve prepreke s odvoda za strugotinu dok se noževi vrte**
- Posluživanje uređaja  
- prilagođavanje dubine blanjanja  
- smjestite alat na predmet koji izrađujete  
**! uvjerite se da se samo prednja papučica oslanja na područje rada i da ga noževi ne dodiruju**  
- uključite alat pritiskom na gumb H ② (= sigurnosni prekidač koji se ne može zaključati), a zatim povucite prekidač J ②  
**! prije nego što noževi dotaknu područje rada, alat mora raditi pri punoj brzini**  
**! alat kod primjene, držati samo na sivo označenim područjima ⑨**  
- alat držite čvrsto objema rukama i ravnomjerno ga vodite naprijed  
- alat koristite s osnovnom pločom na području rada  
- ne naginjite alat kako biste izbjegli neželjene tragove blanjanja  
**! prije isključivanja alata, isti se treba skinuti sa izratka**  
- isključite alat otpuštanjem prekidača J

### SAVJETI ZA PRIMJENU

- Za skošenje rubova koristite V-utor upuštenu u prednjem stopalu ⑩  
- postavite ručicu D u položaj "0" za skošavanje rubova sličnih utoru  
- za veće uture okrećite ručicu D da biste odabrali potrebnu dubinu blanjanja  
**! uvijek najprije isprobati na potrošnom komadu materijala**
- Dodatne savjete možete naći na adresi [www.skil.com](http://www.skil.com)

### ODRŽAVANJE / SERVISIRANJE

- Ovaj uređaj nije namijenjen profesionalnoj upotrebi
- Održavajte čistim uređaj i kabel (osobito otvore za hlađenje L ②)  
**! prije čišćenja treba izvući mrežni utikač**
- Ako bi uređaj unatoč brižljivim postupcima izrade i ispitivanja ipak prestao raditi, popravak treba prepustiti ovlaštenom servisu za SKIL električne alate  
- uređaj treba **nerastavljeno** predati, zajedno s računom o kupnji u najbližu SKIL ugovornu servisnu radionicu (popise servisa, kao i oznake rezervnih dijelova uređaja možete naći na adresi [www.skil.com](http://www.skil.com))

### ZAŠTITA OKOLIŠA

- Električne alate, pribor i ambalažu ne bacajte u kućni otpad** (samo za EU-države)  
- prema Europskoj direktivi 2002/96/EG o staroj električnoj i elektroničkoj opremi i njenoj primjeni u skladu sa nacionalnim zakonom, istrošeni električni alati moraju se sakupljati odvojeno i odvesti u posebne pogone za reciklažu  
- na to podsjeća simbol ⑪ kada se javi potreba za odlaganjem



## CE DEKLARACIJA O SUKLADNOSTI

- Izjavljujemo uz punu odgovornost da je ovaj proizvod usklađen sa sljedećim normama i normativnim dokumentima: EN 60745, EN 61000, EN 55014, prema odredbama smjernica 2004/108/EG, 2006/42/EG, 2011/65/EU
- Tehnička dokumentacija se može dobiti kod:** SKIL Europe BV (PT-SEU/ENG1), 4825 BD Breda, NL

Marijn van der Hoofden      Olaf Dijkgraaf  
Operations & Engineering      Approvals Manager

SKIL Europe BV, 4825 BD Breda, NL

27.06.2013

### BUCI/VIBRACIJAMA

- Mjerenje prema EN 60745 prag zvučnog tlaka ovog električnog alata iznosi 90 dB(A) a jakost zvuka 101 dB(A) (standardna devijacija: 3 dB), a vibracija 5,1 m/s<sup>2</sup> (postupkom na šaci-ruci; nesigurnost K = 1,5 m/s<sup>2</sup>)
  - Razina emitiranja vibracija izmjerena je sukladno normiranom testu danom u EN 60745; ona se može koristiti za usporedbu jedne alatke s drugom, te preliminarnu procjenu izloženosti vibracijama pri uporabi alatke za navedene namjene
    - uporaba ove alatke za druge namjene ili s drugim ili slabo održanim nastavcima, može u značajno mjeri **uvećati** razinu izloženosti
    - vrijeme tokom kojega je alatka isključena, ili je uključena ali se njome ne radi, može značajno **umanjiti** razinu izloženosti
- ! zaštitite se od posljedica vibracija održavanjem alatke i njezinih nastavaka, održavanjem Vaših ruku toplima, te organiziranjem Vaših obrazaca rada**

SRB

## Strug

1558

### UPUTSTVO

- Ovaj električni alat je namenjen za struganje drvenih materijala, na primer greda ili dasaka; pogodan je i za struganje ivica
  - Ovaj alat nije namenjen za profesionalnu upotrebu
  - Pažljivo pročitajte i sačuvajte ova uputstva za rukovanje
- ③

### TEHNIČKI PODACI ①

### ELEMENTI ALATA ②

- A Skladište za ključ
- B Sigurnosna reza
- C Šrafovi bloka za rezač
- D Dugme za podešavanje dubine struganja
- E Indikator dubine struganja
- F Adapter za usisivač
- G Otvor za iverice

- H Sigurnosni prekidač
- J Prekidač za uključivanje/isključivanje
- K V-žleb
- L Prerezi za hlađenje

## SIGURNOST

### OPŠTA UPUTSTVA O SIGURNOSTI

**PAŽNJA!** Čitajte sva upozorenja i uputstva. Propusti kod pridržavanja upozorenja i uputstava mogu imati za posledicu električni udar, požar i/ili teške povrede. **Čuvajte sva upozorenja i uputstva za budućnost.** Pojam upotrebljen u upozorenjima "električni alat" odnosi se na električne alate sa radom na mreži (sa mrežnim kablom) i na električne alate sa radom na akumulator (bez mrežnog kabla).

### 1) SIGURNOST NA RADNOM MESTU

- Držite Vaše područje rada čisto i pospremljeno.** Nered ili neosvetljena radna područja mogu voditi nesrećama.
- Ne radite sa aparatom u okolini ugroženoj od eksplozija u kojoj se nalaze zapaljive tečnosti, gasovi ili prašine.** Električni alati proizvode varnice, koje mogu zapaliti prašinu ili isparenja.
- Za vreme korišćenja električnog alata držite podalje decu i druge osobe.** Kod skretanja možete izgubiti kontrolu nad aparatom.

### 2) ELEKTRIČNA SIGURNOST

- Utikač za priključak aparata mora odgovarati utičnoj kutijici. Utikač se nesme nikako menjati. Ne upotrebljavajte adaptere utikača zajedno sa aparatom sa uzemljenom zaštitom.** Ne promjenjite utikači i odgovarajuće utičnice smanjuju rizik od električnog udara.
- Izbegavajte telesni kontakt sa uzemljenim gornjim površinama, kao što su cevi, grejanja, šporeti i rashladni ormani.** Postoji povećani rizik od električnog udara, ako je Vaše telo uzemljeno.
- Držite aparat podalje od kiše ili vlage.** Prodiranje vode u električni aparat povećava rizik od električnog udara.
- Ne koristite kabl da bi aparat nosili, obesili ili ga izvlačili iz utičnice. Držite kabl dalje od vreline, ulja, oštih ivica ili pokretnih delova aparata.** Oštećeni ili zamršeni kablovi povećavaju rizik od električnog udara.
- Ako sa nekim električnim alatom radite u prirodi, upotrebljavajte samo produžne kablove koji su dozvoljeni za spoljno područje.** Upotreba produžnog kabla pogodnog za spoljno područje smanjuje rizik od električnog udara.
- Ako rad električnog alata ne može da se izbegne u vlažnoj okolini, koristite prekidač strujne zaštite pri kvaru.** Upotreba prekidača strujne zaštite pri kvaru smanjuje rizik od električnog udara.

### 3) SIGURNOST OSOBA

- Budite pažljivi, pazite na to, šta radite i idite razumno na posao sa električnim alatom. Ne upotrebljavajte aparat, kada ste umorni ili pod uticajem droga, alkohola ili lekova.** Momenat nepažnje kod upotrebe aparata može voditi do ozbiljnih povreda.

- b) **Nosite ličnu zaštitnu opremu i uvek zaštitne naočare.** Nošenje lične zaštitne opreme, kao maske za prašinu, sigurnosne cipele koje ne klizaju, zaštitni šlem ili zaštitu za sluh, zavisno od vrste i upotrebe električnog alata, smanjujete rizik od povreda.
- c) **Izbegavajte nenamerno puštanje u rad. Uverite se da je električni alat isključen, pre nego što ga priključite na struju i/ili na akumulator, uzmete ga ili nosite.** Ako prilikom nošenja električnog alata držite prst na prekidaču ili aparat uključeni priključujete na struju, može ovo voditi nesrećama.
- d) **Uklonite alate za podešavanje ili ključeve za zavrtnje, pre nego što uključite aparat.** Alat ili ključ koji se nalazi u delu aparata koji se okreće, može voditi povredama.
- e) **Ne precenjujte sebe. Pobrinite se da sigurno stojite i održavajte u svako doba ravnotežu.** Na taj način možete bolje kontrolisati aparat u neočekivanim situacijama.
- f) **Nosite pogodno odelo. Ne nosite široko odelo ili nakit.** Držite kosu, odelo i rukavice podalje od pokretnih delova. Opušteno odelo, nakit ili duža kosa mogu biti zahvaćeni od rotirajućih delova.
- g) **Ako se mogu montirati uređaji za usisavanje prašine i uređaji za hvatanje prašine, uverite se da li su priključeni i ispravno koriste.** Upotreba usisavanja prašine može smanjiti opasnosti od prašine.
- 4) BRIŽLJIVO OPHODJENJE I KORIŠĆENJE ELEKTRIČNIH ALATA**
- a) **Ne preopterećujte aparat. Upotrebljavajte za Vaš posao električni alat odredjen za to.** Sa odgovarajućim električnim alatom radite bolje i sigurnije u navedenom području rada.
- b) **Ne upotrebljavajte električni alat, čiji je prekidač u kvaru.** Električni alat koji više ne može da se uključi ili isključi je opasan i mora da se popravi.
- c) **Izvučite utikač iz utičnice i/ili uklonite akumulator pre nego što preduzmete podešavanja na aparatu, promenu delova pribora ili ostavite aparat.** Ova mera opreza sprečava nenamernan start aparata.
- d) **Čuvajte nekorišćene električne alate izvan domašaja dece. Ne dopustite osobama da koriste aparat, koje ga ne poznaju ili nisu pročitale ova uputstva.** Električni alati su opasni, ako ih koriste neiskusne osobe.
- e) **Održavajte aparat brižljivo. Kontrolišite, da li pokretni delovi aparata funkcionišu besprekorno i ne slepljuju, da li su delovi slomljeni ili tako oštećeni, da je funkcija aparata oštećena. Popravite oštećene delove pre upotrebe aparata.** Mnoge nesreće imaju svoj uzrok u loše održanim električnim alatima.
- f) **Držite alate za sečenja oštre i čiste.** Brižljivo negovani alati za sečenje sa oštrim sečivima manje slepljuju i lakše se vode.
- g) **Upotrebljavajte električne alate, pribor, alate koji se umeću itd. prema ovim uputstvima. Obratite pažnju pritom na uputstva za rad i posao koji treba izvesti.** Upotreba električnih alata za druge od propisanih namena može voditi opasnim situacijama.
- 5) SERVIS**
- a) **Neka Vam Vaš aparat popravlja samo kvalifikovano stručno osoblje i samo sa originalnim rezervnim**

delovima. Na taj način se obezbeđuje da ostane sačuvana sigurnost aparata.

## UPUTSTVA ZA BEZBEDAN RAD SA STRUGOM

### OPŠTA

- Ovaj alat ne treba da koriste osobe ispod 16 godina
- Buka koju alat proizvodi tokom rada može da premaši 85 dB(A); **nosite zaštitu za sluh ④**
- Prašina od materijala, kao što su boja koja sadrži olovo, neke vrste drveta, minerali i metal, može biti opasna (dodir ili udisanje prašine može prouzrokovati alergijske reakcije i/ili respiratorna oboljenja rukavaoca i lica u blizini); **nosite masku protiv prašine i radite uz uključeni uređaj za ekstrakciju prašine ⑤ kada radite na mestima gde ju je moguće priključiti**
- Određene vrste prašine su klasifikovane kao kancerogene (kao što su prašina hrastovine i bukovine), posebno u sadejstvu sa aditivima za pripremu drveta;
- **Nosite masku protiv prašine ⑤ i radite uz uključeni uređaj za ekstrakciju prašine kada radite na mestima gde ju je moguće priključiti**
- Prati nacionalne propise vezane za prašinu koja se proizvodi prilikom rada na obrađivanim materijalima
- SKIL može priznati garanciju samo ukoliko je korišćen originalni pribor
- Nikada nemojte da koristite alat ako je kabl oštećen; zamenu kabla mora da obavi stručno lice
- **Obavezno iskopčajte alat iz električne utičnice pre nego što izvršite bilo kakva podešavanja ili zamenu pribora**

### PRE UPOTREBE

- Uvek se uverite da je napon struje isti kao i napon naveden na pločici sa nazivom alatu (alati na kojima je naveden napon od 230V ili 240V mogu da rade i na 220V)
- Izbegavajte oštećenja od šrafova, ekspera i drugih predmeta na vašem području rada; uklonite ih pre nego što započnete rad
- Pre upotrebe proverite da noževi ne dodiruju ni jedan deo električnog alata
- Produžni kabl koji koristite mora da bude sasvim odmotan i siguran, sa kapacitetom od 16 A
- **Upotrebite stezaljke ili na drugi praktičan način učvrstite i poduprite radni predmet na stabilnu platformu** (ako radni predmet držite rukom ili ga oslonite o telo, on tada nije stabilan i može doći do gubitka kontrole)

### TOKOM UPOTREBE

- **Hvatajte električni alat za izolovane hvataljke zato što rezač može da dodirne svoj kabl** (presecanje žice pod naponom može da izloži metalne delove električnog alata naponu i izazove električni udar kod rukavaoca)
- Kabl uvek držite podalje od pokretnih delova alata; uvek ga treba držati iza alata
- Prste držite podalje od noževa koji se okreću
- U slučaju da dođe do električnog ili mehaničkog kvara, odmah isključite alat i iskopčajte ga iz utičnice
- Ako se kabl ošteti ili preseče u toku rada, odmah ga iskopčajte i nemojte ga dodirivati
- Ako se otvor za strugotine zapuši, obavezno isključite motor, proverite da li su se zaustavili svi pokretni delovi električnog alata, iskopčajte kabl iz utičnice i uklonite strugotine

## NAKON UPOTREBE

- **Sačekajte da se blok za rezač zaustavi pre nego što spustite alat** (nož može da zakači površinu i da prouzrokuje gubitak kontrole i ozbiljne povrede)

## UPUTSTVO ZA KORIŠĆENJE

- Zamena/okretanje noževa ⑥  
Ovaj strug je opremljen noževima koji ne mogu da se oštire i koji imaju oštice sa obe strane; ako se jedna strana istupi, može da se koristi druga  
**! isključite alat i iskopčajte ga iz utičnice**
  - izvadite ključ iz skladišta A
  - okrenite alat naopačke
  - otpustite 3 reze B pomoću ključa (nemojte da uklanjate reze)
  - izvucite nož iz bloka za rezač pomoću komada drveta
  - okrenite nož i vratite ga u blok za rezač ili upotrebite drugi nož
- **! žleb na nožu treba da se poklopi sa ležištem bloka za rezač**  
**! oba kraja noža moraju da vire podjednako**
  - snažno pričvrstite 3 reze B pomoću ključa
- **! istovremeno zamenite/okrenite noževe; koristite samo oštire noževe**  
**! uvek istovremeno vršite zamenu/okretanje oba noža**  
**! nemojte da pokušavate da podešavate noževe pomoću C šrafova bloka za rezač, jer su oni fabrički podešeni**
- Podešavanje dubine struganja ⑦
  - okrenite dugme D u pravcu "+"/"-" za povećanje/smanjenje dubine struganja
  - koristite indikator E kao referencu
  - uvek izaberite plitku dubinu struganja i ponavljajte proces struganja i podešavanja, sve dok ne postignete željenu dubinu
- Otvor za iverice ⑧
  - priključite usisavač sa adapterom F na odabrani otvor za strugotine G na način kako je prikazano
- **! ne pokušavajte da uklonite bilo kakve prepreke iz odeljka za prašinu dok se noževi okreću**
- Rukovanje alatom
  - podesite dubinu struganja
  - postavite alat na područje rada
  - ! proverite da li se prednja papučica oslanja na područje rada i da je noževi ne dodiruju**
  - uključite alat pritiskom na dugme H ② (= sigurnosni prekidač koji ne može da se zaključa), a zatim povucite prekidač J ②
  - ! alat bi trebalo da radi u punoj brzini pre nego što noževi dodirnu područje rada**
  - ! dok radite, uvek držite alat za mesto(a) koje(a) su označena sivom bojom ⑨**
  - snažno držite električni alat obema rukama i vodite ga unapred neprekidnim potezima
  - koristite električni alat sa osnovnom pločom na području rada
  - nemojte da naginjete alat, da biste izbegli pojavljivanje neželjenih tragova struganja
- **! uređaj treba da ga podignete sa područja rada pre nego što ga isključite**
  - isključite alat otpuštanjem prekidača J

## SAVETI ZA PRIMENU

- Za struganje ivica koristite prednji V-žleb papučica ⑩
  - podesite dugme D na položaj "0" za struganje ivica sličnih žlebu
  - za veće žlebove okrenite dugme D da biste izabrali potrebnu dubinu struganja
- **! uvek izvršite probu na višku materijala**
- Za više saveta pogledajte [www.skil.com](http://www.skil.com)

## ODRŽAVANJE / SERVIS

- Ovaj alat nije namenjen za profesionalnu upotrebu
- Alat i kabl uvek održavajte čistim (posebno otvore za hlađenje L ⑫)  
**! pre čišćenja iskopčajte kabl iz utičnice**
- Ako bi alat i pored brižljivog postupka izrade i kontrole nekada otkazao, popravku mora vršiti neki autorizovani servis za SKIL-električne alate
  - pošaljite **nerastavljeni** alat zajedno sa potvrdom o kupovini vašem nabavljaču ili najbližem SKIL servisu (adrese i oznake rezervnih delova možete naći na [www.skil.com](http://www.skil.com))


## ZAŠTITA OKOLINE

- **Električne alate, pribora i ambalaže ne odlažite u kućne otpatke** (samo za EU-države)
  - prema Evropskoj direktivi 2002/96/EG o staroj električnoj i elektronskoj opremi i njenoj upotrebi u skladu sa nacionalnim pravom, električni alati koji su istrošeni moraju biti sakupljeni odvojeno i dostavljeni pogonu za reciklažu
  - simbol ⑬ će vas podsetiti na to

## DEKLARACIJA O USKLADENOSTI CE

- Pod punom odgovornošću izjavljujemo da je ovaj proizvod usklađen sa sledećim standardima ili standardizovanim dokumentima: EN 60745, EN 61000, EN 55014, u skladu sa odredbama smernica 2004/108/EG, 2006/42/EG, 2011/65/EU
- **Tehnička dokumentacija kod:** SKIL Europe BV (PT-SEU/ENG1), 4825 BD Breda, NL

Marijn van der Hoofden      Olaf Dijkgraaf  
Operations & Engineering      Approvals Manager

  
SKIL Europe BV, 4825 BD Breda, NL  
27.06.2013

## BUKA/VIBRACIJE

- Mereno u skladu sa EN 60745 nivo pritiska zvuka ovog alata iznosi 90 dB(A) a jačina zvuka 101 dB(A) (normalno odstupanje: 3 dB), a vibracija 5,1 m/s<sup>2</sup> (mereno metodom na šaci-ruci; nesigurnost K = 1,5 m/s<sup>2</sup>)
- Nivo emisije vibracija izmeren je u skladu sa standardizovanim testom datim u EN 60745; on se može koristiti za upoređenje jedne alatke sa drugom, kao i za preliminarnu procenu izloženosti vibracijama pri korišćenju ove alatke za pomenute namene
  - korišćenje alatke u drugačije svrhe ili sa drugačijim

ili slabo održavanim nastavcima može značajno **povečati** nivo izloženosti

- vreme kada je alatka isključena ili kada je uključena, ali se njome ne radi, može značajno **zmanjiti** nivo izloženosti

**! zaštitite se od posledica vibracija održavanjem alatke i njenih nastavaka, održavajući Vaše ruke toplim i organizovanjem Vaših radnih obrazaca**

SLO

**Brusilnik**

**1558**

## UVOD

- Ta stroj je namenjen brušenju lesenih materialov, kot so tramovi in deske; z njim lahko tudi brusite ostre robove
- Orodje ni namenjeno profesionalni uporabi
- Preberite in shranite navodila za uporabo ③

## LASTNOSTI ①

### DELI ORODJA ②

- A Mesto za shranjevanje ključa
- B Varnostni zapah
- C Vijaki oporišča za rezilo
- D Gumb za nastavitev globine struženja
- E Indikator globine struženja
- F Adapter za sesalnik
- G Izmet za oblance
- H Varnostno stikalo
- J Stikalo vklopi/izklopi
- K V-utor
- L Ventilacijske reže

## VARNOST

### SPLOŠNA VARNOSTNA NAVODILA

**⚠ OPOZORILO! Preberite vsa opozorila in napotila.** Napake zaradi neupoštevanja spodaj navedenih opozoril in napotil lahko povzročijo električni udar, požar in/ali težke telesne poškodbe. **Vsa opozorila in napotila shranite, ker jih boste v prihodnje še potrebovali.** Pojem "električno orodje", ki se pojavlja v nadaljnjem besedilu, se nanaša na električna orodja z električnim pogonom (z električnim kablom) in na akumulatorska električna orodja (brez električnega kabla).

#### 1) VARNOST NA DELOVNEM MESTU

- Poskrbite, da bo Vaše delovno mesto vedno čisto in urejeno.** Nered ali neosvetljena delovna področja lahko povzročijo nezgode.
- Prosimo, da orodja ne uporabljate v okolju, kjer je nevarnost za eksplozije in v katerem se nahajajo gorljive tekočine, plini in prah.** Električna orodja povzročajo iskrenje, zato se gorljivi prah ali pare lahko vnamejo.
- Ne dovolite otrokom in drugim osebam, da bi se medtem ko delate, približali električnemu orodju.** Druge osebe lahko odvrnejo Vašo pozornost drugam in izgubili boste nadzor nad orodje.

#### 2) ELEKTRIČNA VARNOST

- Vtič mora ustrezati električni vtičnici in ga pod nobenim pogojem ne smete spreminjati. Uporaba adapterskih vtičev v kombinaciji z ozemljena orodja ni dovoljena.** Originalni oziroma nespremenjeni vtiči in ustrezne vtičnice zmanjšujejo tveganje električnega udara.
  - Izogibajte se telesnemu stiku z ozemljenimi površinami, na primer s cevmi, grelci, štedilniki in hladilniki.** Če je ozemljeno tudi vaše telo, obstaja povečano tveganje električnega udara.
  - Zavarujte orodje pred dežjem ali vlago.** Vdor vode v električno orodje povečuje tveganje električnega udara.
  - Električnega kabla ne uporabljajte za prenašanje ali obešanje orodja in ne vlecite vtič iz vtičnice tako, da vlečete za kabel. Zavarujte kabel pred vročino, oljem, ostrimi robovi in premikajočimi se deli orodja.** Poškodovani ali prepleteni kabli povečujejo tveganje električnega udara.
  - Če z električnim orodjem delate na prostem, uporabljajte izključno kabelski podaljšek, ki je atestiran za delo na prostem.** Uporaba kabelskega podaljška, primerne za delo na prostem, zmanjšuje tveganje električnega udara.
  - Če je uporaba električnega orodja v vlažnem okolju neizogibna, uporabljajte prekinjevalec električnega tokokroga.** Prekinjevalca električnega tokokroga zmanjšuje tveganje električnega udara.
- #### 3) OSEBNA VARNOST
- Bodite zbrani in pazite, kaj delate. Dela z električnim orodjem se lotite razumno. Nikoli ne uporabljajte orodja, če ste utrujeni in če ste pod vplivom mamil, alkohola ali zdravil.** En sam trenutek nepazljivosti pri uporabi orodja ima lahko za posledico resne telesne poškodbe.
  - Uporabljajte osebna zaščitna sredstva in vedno nosite zaščitna očala.** Uporaba osebnih zaščitnih sredstev, na primer maske proti prahu, nedrsečih zaščitnih čevljev, zaščitne čelade in glušnikov, odvisno od vrste in uporabe električnega orodja, zmanjšuje tveganje telesnih poškodb.
  - Izogibajte se nenamernemu zagonu. Pred priključitvijo električnega orodja na električno omrežje in/ali na akumulator in pred dviganjem ali nosenjem se prepričajte, če je električno orodje izklopljeno.** Prenašanje naprave s prstom na stikalo ali priključitev vklopljenega električnega orodja na električno omrežje je lahko vzrok za nezgodo.
  - Pred vklopom orodja odstranite z nje nastavitvena orodja ali vijačni ključ.** Orodje ali ključ, ki se nahajata na vrtečem se delu električnega orodja, lahko povzročita nezgodo.
  - Ne precenjujte se in poskrbite za varno stojišče in stalno ravnotežje.** Tako boste lahko v nepričakovani situaciji bolje obvladali orodje.
  - Nosite primerno obleko, ki naj ne bo preohlapna. Ne nosite nakita. Lasje, oblačilo in rokavice naj se ne približujejo premikajočim se delom orodja.** Premikajoči se deli orodja lahko zgrabijo ohlapno obleko, nakit, ali dolge lase.
  - Če je možno na orodje namestiti priprave za odsesavanje in prestrazanje prahu, prepričajte**

se, ali so le-te priključene in, če jih pravilno uporabljate. Uporaba priprave za odsesavanje prahu zmanjšuje zdravstveno ogroženost zaradi prahu.

#### 4) RAVNANJE IN NEGA ROČNEGA ORODJA

- a) Ne preobremenjujte orodja. Za določeno delo uporabljajte električno orodje, ki je predvideno za opravljanje tega dela. Z ustreznim električnim orodjem boste delo opravili bolje in varneje, ker je bilo v ta namen tudi konstruirano.
  - b) Električno orodje, ki ima pokvarjeno stikalo, ne uporabljajte. Električno orodje, ki ga ni možno vklopiti ali izklopiti, je nevarno in ga je potrebno popraviti.
  - c) Pred nastavljanjem naprave, zamenjavo delov pribora ali odlaganjem naprave izvlecite vtičak iz električne vtičnice in/ali odstranite akumulator. Ta previdnostni ukrep onemogoča nepredviden zagon orodja.
  - d) Kadar orodja ne uporabljate ga shranjujte izven dosega otrok. Osebam, ki orodja ne poznajo ali niso prebrale teh navodil, orodja ne dovolite uporabljati. Električna orodja so nevarna, če jih uporabljajo neizkušene osebe.
  - e) Skrbno negujte orodje. Preverite, če premikajoči se deli orodja delujejo brezhibno in če se ne zatikajo, oziroma, če kakšen del orodja ni zlomljen ali poškodovan do te mere, da bi oviral njegovo delovanje. Pred nadaljnjo uporabo je potrebno poškodovani del popraviti. Vzrok za številne nezgode so ravno slabo vzdrževana električna orodja.
  - f) Rezalna orodja naj bodo ostra in čista. Skrbno negovana rezalna orodja z ostrimi rezili se manj zatikajo in so bolj vodljiva.
  - g) Električna orodja, pribor, nastavke in podobno uporabljajte v skladu s temi navodili. Pri tem upoštevajte delovne pogoje in vrsto dela, ki ga nameravate opraviti. Zaradi uporabe električnega orodja v druge, nepredvidene namene, lahko nastanejo nevarne situacije.
- #### 5) SERVIS
- a) Popravilo orodja lahko opravi samo usposobljena strokovna oseba in to izključno z originalnimi nadomestnimi deli. Le tako bo ohranjena nadaljnja varnost orodja.

## VARNOSTNA NAVODILA ZA UPORABO BRUSILNIKA

### SPLOŠNO

- Orodja naj ne bi uporabljale osebe mlajše od 16 let
- Med delom lahko nivo hrupa presega 85 dB(A); uporabljajte zaščito proti hrupu ④
- Prah materialov, kot so barve, ki vsebujejo svinec, nekatere vrste lesa, mineralov ali kovin so lahko škodljivi (ob stiku ali vdihavanju lahko prah pri delavcu ali pri drugih prisotnih povzroči alergijsko reakcijo in/ali bolezní dihal); nosite masko za prah ⑤ in pri delu uporabljajte napravo za odsesavanje prahu, kjer je le-to možno priključiti
- Nekatere vrste prahu so klasificirane kot kancerogene (kot npr. prah hrasta in bukve) še posebno ob sočasní uporabi z dodatki za obdelavo lesa; nosite masko za prah ⑤ in pri delu uporabljajte napravo za odsesavanje prahu, kjer je le-to možno priključiti
- Upoštevajte nacionalne zahteve glede prahu za materiale katere želíte obdelovati

- SKIL zagotavlja brezhibno delovanje orodja le z uporabo originalnega dodatnega pribora
- Nikoli ne uporabljajte orodja, če je kabel poškodovan; okvaro naj odpravi strokovnjak
- Vedno izvlecite električni vtičak iz vtičnice preden spreminjate nastavitve ali menjate pribor

### PRED UPORABO

- Vedno preverite, če je napetost omrežja enaka napetosti, ki je navedena na tablici orodja (orodje z nazivno napetostjo 230V ali 240V lahko priključite tudi na napetost 220V)
- Izogibajte se poškodb zaradi vijakov, žebeljev ali drugih elementov v obdelovancu; odstranite jih pred začetkom dela
- Pred uporabo preverite, da se noži ničesar ne dotikajo
- Uporabljajte povsem iztegnjene in varne električne podaljške, z jakostjo 16 amperov
- Obdelovanec zavarujte in pritrdite s sponami ali drugo opremo (če obdelovanec držite z rokami ali proti telesu, bo nestabilen in lahko izgubite nadzor nad orodjem)

### MED UPORABO

- Orodje držite za izolirane dele ročaja, če med delom pride rezalnik v stik z lastnim priključnim kablom (stik z vodnikom pod napetostjo lahko povzroči, da so pod napetostjo tudi izpostavljeni kovinski deli orodja, kar lahko povzroči električni udar za uporabnika)
- Kabel naj bo vedno odmaknjen od gibljivih delov stroja; usmerite ga proti zadnjemu delu, stran od stroja
- Umaknite prste od nožev, ki se vrtijo
- Če pride do električnih ali mehanskih okvar, takoj izklopite stroj in izvlecite vtičak iz vtičnice
- Če je priključni kabel poškodovan ali se med delom pretrga se ga ne dotikajte, temveč takoj potegnite električni vtičak iz vtičnice
- Če bi se kakršenkoli drobec zagodil v odprtini za izpuh drobcov, morate izklopiti motor, se pripraviti, da so se vsi premikajoči se deli popolnoma zaustavili, izvleči napajalni kabel iz napajanja in odstraniti zagodzen drobec

### PO UPORABI

- Počakajte, da se oporišča za rezilo zaustavi, preden stroj odložite (nezaščiten nož lahko pride v stik s površino, ob čemer lahko izgubite nadzor nad orodjem in povzročite hude poškodbe)

## UPORABA

- Zamenjava/obračanje nožev ⑥  
Ta brusilnik je opremljen z nelomljivimi noži z rezilnimi robovi na obeh straneh; če torej nož na eni strani postane top, ga lahko obrnete
- ! izklopite orodje in izvlecite vtičak iz vtičnice
- vzemite ključ za matice iz prostora za shranjevanje A
- obrnite orodje na glavo
- sprostite 3 zapaha B s ključem (zapahov ne odstranjujte)
- potisnite nož iz oporišča za rezilo s kosom lesa
- ponovno namestite nož v oporišče za rezilo v obrnjen položaj, ali uporabite nov nož
- ! utor na nožu se mora prilagajati naslonilu na oporišču za rezilo
- ! dolžina obeh koncev noža mora biti enaka
- trdno privijte 3 zapaha B s ključem
- ! zamenjate/obrnite nože pravočasno; uporabljajte

### le ostre nože

**! vedno zamenjajte/obrnite oba noža istočasno;  
! ne poskušajte prilagoditi nožev z vijaki oporišča za rezilo C, ki jih je vnaprej nastavil proizvajalec**

- Prilagoditev globine brušenja ⑦
  - gumb D obrnite v smeri "+"/"-", da povečate/zmanjšate globino brušenja
  - uporabite indikator E kot referenco
  - vedno izberite plitko globino brušenja in ponovite brušenje in postopek prilagajanja, dokler ne dosežete potrebne globine
- Izmet za oblace ⑧
  - povežite sesalnik z adapterjem F na izmet za oblace G, kot je prikazano

**! med vrtenjem nožev iz izmeta za oblace ne poskušajte odstranjevati nobenih zagozdenih predmetov**

- Upravljanje orodja
  - prilagodite globino brušenja
  - postavite stroj na obdelovalni predmet
- ! priporočajte se, da je le sprednji del naslonjen na obdelovalni predmet in da se ga noži ne dotikajo**
  - vklopite stroj, tako da najprej pritisnete gumb H ② (= varnostno stikalo, ki ga ne morete zakleniti) in nato povlecite sprožilec J ②

**! preden se stružni noži dotaknejo obdelovalnega predmeta, mora stroj teči pri polni hitrosti**

**! med delom vedno držite orodje za sivo obarvano mesto prijema ⑨**

- z obema rokama trdno primite stroj in ga neprekinjeno vodite naprej
- stroj uporabljajte tako, da je temeljna plošča plosko na obdelovalnem predmetu
- da bi se izognili neželenim brusnim madežem, stroja med delom ne nagibajte

**! preden orodje izklopite, bi ga morali odmakniti od predmeta, ki ga obdelujete**

- izklopite orodje, tako da sprostite sprožilec J

## UPORABNI NASVETI

- Za posnemanje robov uporabite V-utoro na sprednji plošči ⑩
  - gumb D nastavite v položaj "0" za posnemanje robov, podobnih utoru
  - za večje uture obrnite gumb D, da izberete potrebno globino brušenja
- ! vedno napravite test na odpadnem materialu**
- Za več nasvetov glejte pod [www.skil.com](http://www.skil.com)

## VZDRŽEVANJE/SERVISIRANJE

- Orodje ni namenjeno profesionalni uporabi
- Priključni kabel in orodje naj bosta vedno čista (posebej še prezračevalne odprtine L ②)
- ! izvlecite vtičnik iz vtičnice pred čiščenjem**
- Če bi kljub skrbnim postopkom izdelave in preizkušanja prišlo do izpada delovanja orodja, naj popravilo opravi servisna delavnica, pooblaščen za popravila SKILevih električnih orodij
  - pošljite **nerazstavljeno** orodje skupaj s potrdilom o nakupu pri vašemu prodajalcu v najbližjo SKIL servisno delavnico (naslovi, kot tudi spisek rezervnih delov se nahaja na [www.skil.com](http://www.skil.com))

## OKOLJE

- **Električnega orodja, pribora in embalaže ne odstranjujte s hišnimi odpadki** (samo za države EU)
  - v skladu z Evropsko direktivo 2002/96/EG o odpadni električni in elektronski opremi in z njenim izvajanjem v nacionalni zakonodaji je treba električna orodja ob koncu njihove življenjske dobe ločeno zbirati in jih predati v postopek okolju prijaznega recikliranja
  - ko je potrebno odstranjevanje, naj vas o načinu spomni simbol ⑪

## IZJAVA O SKLADNOSTI CE

- Odgovorno izjavljamo, da je ta izdelek v skladu z naslednjimi standardi ali standardnimi dokumenti: EN 60745, EN 61000, EN 55014, v skladu s predpisi navodil 2004/108/ES, 2006/42/ES, 2011/65/EU
- **Tehnična dokumentacija se nahaja pri:** SKIL Europe BV (PT-SEU/ENG1), 4825 BD Breda, NL

Marijn van der Hoofden  
Operations & Engineering

Olaf Dijkgraaf  
Approvals Manager

SKIL Europe BV, 4825 BD Breda, NL  
27.06.2013

## HRUP/VIBRACIJA

- Izmerjeno v skladu s predpisom EN 60745 je raven zvočnega pritiska za to orodje 90 dB(A) in jakosti zvoka 101 dB(A) (standarden odmik: 3 dB), in vibracija 5,1 m/s<sup>2</sup> (metoda dlán-roka; netočnost K = 1,5 m/s<sup>2</sup>)
- Raven oddajanja vibracij je bila izmerjena v skladu s standardiziranimi testi, navedenimi v EN 60745; uporabiti jo je mogoče za primerjavo različnih orodij med seboj in za predhodno primerjavo izpostavljenosti vibracijam pri uporabi orodja za namene, ki so omenjeni
  - uporaba orodja za drugačne namene ali uporaba skupaj z drugimi, slabo vzdrževanimi nastavki lahko znatno **poveča** raven izpostavljenosti
  - čas, ko je orodje izklopljeno ali ko teče, vendar z njim ne delamo, lahko znatno **zmanjša** raven izpostavljenosti
- ! pred posledicami vibracij se zaščitite z vzdrževanjem orodja in pripadajočih nastavkov, ter tako, da so vaše roke tople, vaši delovni vzorci pa organizirani**

EST

Höövel

1558

## SISSEJUHATUS

- Seade on ettenähtud puitmaterjalide, näiteks prusside ja laudade hööveldamiseks; seade sobib ka servade faasimiseks
- Tööriist pole mõeldud professionaalsete kasutamiseks
- Palun lugege käesolev kasutusjuhend hoolikalt läbi ja hoidke alles ⑬

## TEHNILISED ANDMED ①

### SEADME OSAD ②

- A Lehtvõtme hoidik
- B Kinnitusmutter
- C Teravõlli kruvid
- D Nupp hõõveldussügavuse reguleerimiseks
- E Hõõveldussügavuse indikaator
- F Tolmuimejaadapteri
- G Laastude äratõmbeava
- H Turvalüliti
- J Tööüliti (sisse/välja)
- K V-soon
- L Öhutusavad

### OHUTUS

#### ÜLDISED OHUTUSJUHISED

**⚠ TÄHELEPANU!** Kõik ohutusnõuded ja juhised tuleb läbi lugeda. Ohutusnõuete ja juhiste eiramise tagajärjeks võib olla elektrilöök, tulekahju ja/või rasked vigastused. Hoidke kõik ohutusnõuded ja juhised edasiseks kasutamiseks hoolikalt alles. Allpool kasutatud mõiste "elektriline tööriist" käib võrgutoitega (toitejuhtmega) elektriliste tööriistade ja akutoitega (ilma toitejuhtmeta) elektriliste tööriistade kohta.

#### 1) OHUTUSNÕUDEDE TÕÕPIIRKONNAS

- a) Hoidke töökoht puhas ja korras. Segadus või valgustamata tööpiirkonnad võivad põhjustada õnnetusi.
- b) Ärge kasutage seadet plahvatusohtlikus keskkonnas, kus leidub tuleohtlikke vedelikke, gaase või tolmu. Elektrilistest tööriistadest lööb sädemeid, mis võivad tolmu või auru süüdata.
- c) Kui kasutate elektrilist tööriista, hoidke lapsed ja teised isikud töökohast eemal. Kui Teie tähelepanu kõrvale juhitakse, võib seade Teie kontrolli alt väljuda.

#### 2) ELEKTRIOHUTUS

- a) Seadme pistik peab pistikupessa sobima. Pistiku kallal ei tohi teha mingeid muudatusi. Ärge kasutage kaitsemaandusega seadmete puhul adapterpistikuid. Muutmata pistikud ja sobivad pistikupesad vähendavad elektrilöögi saamise riski.
- b) Vältige kehakontakti maandatud pindadega, nagu torud, radiaatorid, pliidid ja külmikud. Kui Teie keha on maandatud, on elektrilöögi risk suurem.
- c) Hoidke seadet vihma ja niiskuse eest. Kui elektriseadmesse on sattunud vett, on elektrilöögi saamise risk suurem.
- d) Ärge kasutage toitejuhet selleks mitte ettenähtud otstarbel seadme kandmiseks, ülesriputamiseks ega pistiku pistikupesast väljatõmbamiseks. Hoidke toitejuhet kuumuse, õli, teravate servade ja seadme liikuvate osade eest. Kahjustatud või keerduläinud toitejuhtmed suurendavad elektrilöögi saamise riski.
- e) Kui töotate elektrilise tööriistaga vabas õhus, kasutage ainult selliseid pikendusjuhtmeid, mida on lubatud kasutada ka välisingimustes. Välisingimustes kasutamiseks sobiva pikendusjuhtme kasutamine vähendab elektrilöögi saamise riski.

- f) Kui elektrilise tööriista kasutamine niiskes keskkonnas on vältimatu, kasutage maandusega lekkevoolukaitset. Maandusega lekkevoolukaitse kasutamine vähendab elektrilöögi ohtu.

#### 3) INIMESTE TURVALISUS

- a) Olge tähelepanelik, jälgige, mida Te teete, ning toimige elektrilise tööriistaga töötades mõistlikult. Ärge kasutage seadet, kui olete väsinud või uimastite, alkoholi või ravimite mõju all. Hetkeline tähelepanematus seadme kasutamisel võib põhjustada tõsiseid vigastusi.
  - b) Kandke isikukaitsevahendeid ja alati kaitseprille. Isikukaitsevahendite, nagu tolumask, libisemiskindlad turvajalatsid, kaitsekiiver või kuulmiskaitsevahendid, kandmine – sõltuvalt elektrilise tööriista tüübist ja kasutusalaast – vähendab vigastuste riski.
  - c) Vältige seadme tahtmatut käivitamist. Enne pistiku ühendamist pistikupessa, aku ühendamist seadme külge, seadme ülestõstmist ja kandmist veenduge, et elektriline tööriist on välja lülitatud. Kui hoiate elektrilise tööriista kandmisel sõrme lülilit või ühendate vooluvõrku sisselülitatud seadme, võivad tagajärjeks olla õnnetused.
  - d) Enne seadme sisselülitamist eemaldage selle küljest reguleerimis- ja mutrivõtmed. Seadme pöörleva osa küljes olev reguleerimis- või mutrivõti võib põhjustada vigastusi.
  - e) Ärge hinnake end üle. Võtke stabiilne tööasend ja hoidke kogu aeg tasakaalu. Nii saate seadet ootamatutes olukordades paremini kontrollida.
  - f) Kandke sobivat rõivastust. Ärge kandke laiu riideid ega ehteid. Hoidke juuksed, rõivad ja kindad seadme liikuvatest osadest eemal. Lotendavad riided, ehted või pikad juuksed võivad sattuda seadme liikuvate osade vahele.
  - g) Kui on võimalik paigaldada tolmuemaldus- ja tolmuogumiseadiseid/seadmeid, veenduge, et need oleksid seadmega ühendatud ja et neid kasutatakse õigesti. Tolmuemaldusseadise kasutamine vähendab tolmust põhjustatud ohte.
- #### 4) ELEKTRILISTE TÕÕRIISTADE HOOLIKAS KÄSITSEMIN JA KASUTAMINE
- a) Ärge koormake seadet üle. Kasutage töö tegemiseks selleks ettenähtud elektrilist tööriista. Sobiva elektrilise tööriistaga töötate paremini ja turvalisemalt ettenähtud võimsusvahemikus.
  - b) Ärge kasutage elektrilist tööriista, mille lüliti on rikkis. Elektriline tööriist, mida ei ole enam võimalik sisse ja välja lülitada, on ohtlik ning seda tuleb remontida.
  - c) Tõmmake pistik pistikupesast välja ja/ või eemaldage seadmest aku enne seadme reguleerimist, tarvikute vahetamist ja seadme ärapanekut. See ettevaatusabinõu väldib seadme tahtmatut käivitamist.
  - d) Kasutusvälisel ajal hoidke elektrilisi tööriistu lastele kättesaamatult. Ärge laske seadet kasutada isikul, kes seda ei tunne või pole siintoodud juhiseid lugenud. Kogenematute kasutajate käes kujutavad elektrilised tööriistad ohtu.
  - e) Hoolitsege seadme eest. Kontrollige, kas seadme liikuvad osad funktsioneerivad korralikult ja ei

kiildu kinni, ning ega mõned osad ei ole katki või sel määral kahjustatud, et võiksid mõjutada seadme töökindlust. Laske kahjustatud osad enne seadme kasutamist parandada. Paljude õnnetuste põhjuseks on halvasti hooldatud elektrilised tööriistad.

- f) **Hoidke lõiketarvikud teravad ja puhtad.** Hoolikalt hoitud, teravate lõikeservadega lõiketarvikud kiilduvad harvemini kinni ja neid on lihtsam juhtida.
- g) **Kasutage elektrilist tööriista, lisavarustust, tarvikuid jne vastavalt siintoodud juhistele.** Arvestage seejuures töötingimuste ja teostatava töö iseloomuga. Elektriliste tööriistade kasutamine mitte ettenähtud otstarbel võib põhjustada ohtlikke olukordi.

## 5) TEENINDUS

- a) **Laske seadet parandada ainult kvalifitseeritud spetsialistidel ja ainult originaalvaruosadega.** Nii tagate seadme püsimise turvalisena.

## OHUTUSJUHISED HÖÖVLITE KOHTA

### ÜLDIST

- Tööriista kasutaja peab olema vähemalt 16 aastat vana
- Töötamise ajal võib müratase ületada 85 dB(A); **kandke kuulmiskaitsevahendeid** ④
- Värviga kaetud juhtmed, mõned puiduligid, mineraalid ja metall eraldavad tolmu, mis võib olla kahjulik (kokkupuude tolmuga või selle sissehingamine võib seadme kasutajal või läheduses viibivatel inimestel põhjustada allergilisi reaktsioone ja/või hingamisteede haigusi); **kandke tolmumaski** ⑤ ja vajaduse korral **töötage külgeühendatava tolmuemaldusseadmega**
- Teatud tüüpi tolm on klassifitseeritud kantserogeensena (nt tammest ja kasest eralduv tolm), eriti koos puidu niiskuse reguleerimiseks kasutatavate lisanditega; **kandke tolmumaski** ⑤ ja vajaduse korral **töötage külgeühendatava tolmuemaldusseadmega**
- Erinevate materjalide töötlemisel tekkiwa tolmu käitlemisel tuleb järgida kehtivaid nõudeid
- SKIL tagab seadme häireteta töö üksnes originaaltarvikute kasutamisel
- Ärge kunagi kasutage kahjustatud toitejuhtmega tööriista; laske toitejuhe remonditöökojas välja vahetada
- Enne seadme reguleerimist või tarviku vahetust eemaldage seade vooluvõrgust (tõmmake pistik pistikupesast välja)**

### ENNE KASUTAMIST

- Kontrollige alati, kas võrgupinge ühtib tööriista andesildil toodud pingega (andesildil toodud 230V või 240V korral võib tööriistad kasutada ka 220V võrgupinge puhul)
- Vältige töödeldavas esemes olevatest kruvidest, naeltest vms põhjustatud kahjustusi; eemaldage need enne töö alustamist
- Enne seadme kasutamist veenduge, et hõõvliterad pöörlevad takistamatult
- Pikendusjuhtmete kasutamisel jälgige, et juhe oleks lõpuni lahti keritud ja vastaks 16 A voolutugevusele
- Kinnitage toorik klambriga või muul praktilisel moel kindlale stabiilsele alusele** (tööd käes hoides või vastu keha surudes võib see paigast liikuda)

### KASUTAMISE AJAL

- Hoidke elektritööriista kinni isoleeritud haardepinnast, kuna tera võib puutuda kokku**

**tööriista enda juhtmega** (voolu all oleva juhtme lõikamisel võivad elektritööriista metallosad pingestuda ja anda operaatorile elektrilöögi)

- Vältige toitejuhtme kokkupuutumist seadme pöörlevate osadega; hoidke toitejuhet alati tööriistast eemal, tagapool
- Hoidke sõrmed pöörlevatest teradest eemal
- Seadme elektrilise või mehhaanilise häire korral lülitage seade viivitamatult välja ja eemaldage pistik vooluvõrgust
- Kui toitejuhe saab töötamise ajal kahjustada või see lõigatakse läbi, ärge toitejuhet puutuge, vaid eemaldage koheselt pistik vooluvõrgust
- Kui laastude eemaldusava on ummistunud, lülitage seade välja, veenduge, et kõik selle pöörlevad osad on täielikult seiskunud, tõmmake seadme pistik pistikupesast välja ning eemaldage ummistust põhjustanud laastud

### PÄRAST KASUTAMIST

- Enne seadme käestpanekut oodake, kuni hõõvliterad on seiskunud** (pöörlevad terad võivad pinda kinni kiilduda, mis võib põhjustada kontrolli kao seadme üle ja tõsisid vigastusi)

## KASUTAMINE

- Hõõvliterade vahetamine/pööramine ⑥  
Hõõvel on varustatud kahe mitteteritatava lõikeservaga hõõvliteraga; kui üks lõikeserv muutub nürkis, saab kasutada teist lõikeserva  
**! lülitage seade välja ja eemaldage pistik pistikupesast**
  - võtke hoidikust A välja lehtvõti
  - pöörake seade ümber
  - keerake lehtvõtmega lahti 3 mutrit B (ärge keerake mutreid välja)
  - suruge hõõvlitera puutüki abil teravõlliit maha
  - pöörake hõõvlitera ümber ja pange tagasi või paigaldage uus tera**! hõõvlitera soon peab teravõlli liistuga sobima**  
**! hõõvlitera peab mõlemalt poolt ulatuma ühele kaugusele**
  - keerake 3 mutrit B lehtvõtmega tugevasti kinni**! vahetage/pöörake hõõvlitera õigeaegselt ringi; kasutage üksnes teravaid terasid**  
**! alati vahetage/pöörake ringi mõlemad hõõvliterad korraga**  
**! ärge püüdke terasid reguleerida teravõlli kruvidest C, mis on seadme valmistamisel eelseadistatud**
- Hõõveldussügavuse reguleerimine ⑦
  - keerake nuppu D "+" / "-" suunas, et suurendada/ vähendada planeeringu sügavust
  - juhinduge indikaatorist E
  - valige alati väike hõõveldussügavus ning korra ke hõõveldamist ja reguleerimist, kuni saavutate soovitud sügavuse
- Laastude äratõmbeava ⑧
  - ühendage tolmuimeja adapteri F abil laastude äratõmbeavaga G nagu joonisel näidatud**! hõõvliterade pöörlemise ajal ärge püüdke äratõmbeavast mingeid takistusi eemaldada**
- Seadme kasutamine
  - reguleerige välja hõõveldussügavus



- asetage seade töödeldavale esemele
- ! **veenduge, et ainult alustalla esiosa toetub töödeldavale esemele, hõõvliiterad ei tohi töödeldava esemega kokku puutuda**
- seadme sisselülitamiseks vajutage kõigepealt lüliti H ② (= turvalüliti, mida ei saa lukustada) ning seejärel tõmmake lüliti J ②
- ! **hõõvliiterade kokkupuutel töödeldava esemega peab seade töötama täiskiirusel**
- ! **töötamise ajal hoidke tööriista kinni korpuse ja käepideme halli värvi osadest ⑨**
- hoidke seadet kõvasti kahe käega ja juhtige seda ühtlase ettenihkega
- töötamise ajal peab seadme alustald toetuma töödeldavale esemele
- soovimatute hõõveldusjälgede vältimiseks ärge kallutage seadet
- ! **enne tööriista väljalülitamist tuleb see töödeldavalt esemelt eemaldada**
- seadme väljalülitamiseks vabastage lüliti J

## TÖÖJUHISED

- Servade faasimiseks kasutage eesmises tallas olevat V-soont ⑩
- seadistage nupp D asendisse "0" servade faasimiseks soontega sarnaselt
- keerake suurte soonte jaoks nuppu D, et valida vajalik planeeringu sügavus
- ! **katsetage tööriista alati algul proovitükil**
- Rohkem nõuandeid leiate aadressil [www.skil.com](http://www.skil.com)

## HOOLDUS/TEENINDUS

- Tööriist pole mõeldud professionaalseks kasutamiseks
- Hoidke seade ja toitejuhe alati puhtad (eriti õhutusavad L ②)
- ! **enne puhastamist eemaldage seade vooluvõrgust**
- Tööriist on hoolikalt valmistatud ja testitud; kui tööriist sellest hoolimata rikki läheb, tuleb see lasta parandada SKILi elektriliste käsitööriistade volitatud remonditöökojas
- toimetage **lahtimonteerimata** seade koos ostukviitungiga tarnijale või lähimasse SKILi lepingulisse töökohta (aadressid ja tööriista varuosade joonise leiate aadressil [www.skil.com](http://www.skil.com))

## KESKKOND

- **Ärge visake kasutuskoõlbmatuks muutunud elektrilisi tööriistu, lisatarvikuid ja pakendeid ära koos olmejäätmetega** (üksnes EL liikmesriikidele)
- vastavalt Euroopa Parlamendi ja nõukogu direktiivile 2002/96/EÜ elektri- ja elektroonikaseadmete jäätmete kohta ning direktiivi nõuete kohaldamisele liikmesriikides tuleb kasutuskoõlbmatuks muutunud elektrilised tööriistad koguda eraldi ja keskkonnasäästlikult korduvkasutada või ringlusse võtta
- seda meenutab Teile sümbol ⑪

## CE VASTAVUSDEKLARATSIOON

- Kinnitame ainuvastutajana, et see toode vastab järgmistele standarditele või normdokumentidele: EN 60745, EN 61000, EN 55014 vastavalt direktiivide 2004/108/EÜ, 2006/42/EÜ, 2011/65/EL nõuetele
- **Tehtiline toimik saadaval aadressil:** SKIL Europe BV (PT-SEU/ENG1), 4825 BD Breda, NL

Marijn van der Hoofden      Olaf Dijkgraaf  
Operations & Engineering      Approvals Manager

SKIL Europe BV, 4825 BD Breda, NL  
27.06.2013

## MÜRA/VIBRATSIOON

- Vastavalt kooskõlas normiga EN 60745 läbi viidud mõõtmistele on tööriista helirõhk 90 dB(A) ja helitugevus 101 dB(A) (standardkõrvalekalle: 3 dB), ja vibratsioon 5,1 m/s<sup>2</sup> (käe-randme-meetod; mõõtemääramatus K = 1,5 m/s<sup>2</sup>)
- Tekkiva vibratsiooni tase on mõõdetud vastavalt standardis EN 60745 kirjeldatud standarditud testile; seda võib kasutada tööriistade võrdlemiseks ja tööriista kasutamisel ettenähtud töödeks esineva vibratsiooni esialgseks hindamiseks
  - tööriista kasutamisel muudeks rakendusteks või teiste/halvasti hooldatud tarvikute kasutamisel võib vibratsioon märkimisväärselt **suurened**
  - ajal, kui tööriist on väljalülitatud või on küll sisselülitatud, kuid tegelikult seda ei kasutata, võib vibratsioon märkimisväärselt **vähened**
- ! **enda kaitsmiseks vibratsiooni eest hoolidage tööriista ja selle tarvikuid korralikult, hoidke oma käed soojad ja tagage sujuv töökorraldus**

LV

Èvele

1558

## IEVADS

- Šis instruments ir paredzēts kokmateriālu, piemēram, balķu un dēļu ēvelēšanai; tas ir derīgs arī stūru apdarei
- Šis instruments nav paredzēts profesionālai lietošanai
- Izlasiet un saglabājiet šo pamācību ③

## TEHNISKIE PARAMETRI ①

## INSTRUMENTA ELEMENTI ②

- A Nodalījums atslēgas ievietošanai
- B Stipriņošā skrūve
- C Asmeņu bloka skrūves
- D Rokturis ēvelēšanas dzīļuma regulēšanai
- E Ēvelēšanas dzīļuma indikators
- F Putekļsūcēja adapters
- G Skaidu izvadatvere
- H Drošības slēdzis

- J Ieslēdzējs
- K Ķīļveida grope
- L Ventilācijas atveres

## DROŠĪBA

### VISPĀRĒJIE DARBA DROŠĪBAS NOTEIKUMI

**⚠ UZMANĪBU!** Rūpīgi izlasiet visus drošības noteikumus. Šeit sniegto drošības noteikumu un norādījumu neievērošana var izraisīt aizdegšanos un būt par cēloni elektriskajam triecienam vai nopietnam savainojumam. **Pēc izlasīšanas uzglabājiet šos noteikumus turpmākai izmantošanai.** Turpmākajā izklāstā lietotais apzīmējums "elektroinstrumenti" attiecas gan uz tīkla elektroinstrumentiem (ar elektrokabeli), gan arī uz akumulatora elektroinstrumentiem (bez elektrokabeļa).

#### 1) DROŠĪBA DARBA VIETĀ

- a) **Sekojiet, lai darba vieta būtu tīra un sakārtota.** Nekārtīgā darba vietā vai sliktā apgaismojumā var viegli notikt nelaimes gadījums.
- b) **Nelietojiet elektroinstrumentu eksplozīvu vai ugunsdrošu vielu tuvumā un vietās ar paaugstinātu gāzes vai putekļu saturu gaisā.** Darba laikā instrumenti nedaudz dzirksteļo, un tas var izsaukt viegli degošu putekļu vai tvaiku aizdegšanos.
- c) **Lietojot elektroinstrumentu, neļaujiet nepiederošām personām un jo īpaši bērniem tuvoties darba vietai.** Citu personu klātbūtnē var novērst uzmanību, un tā rezultātā jūs varat zaudēt kontroli pār instrumentu.

#### 2) ELEKTRODROŠĪBA

- a) **Elektroinstrumenta kontaktdakšai jābūt piemērotai elektrotīkla kontaktligzdai. Kontaktdakšas konstrukciju nedrīkst nekādā veidā mainīt.** Nelietojiet kontaktdakšas salāgotājus, ja elektroinstrumenti caur kabeli tiek savienoti ar aizsargzēmējuma ķēdi. Neizmaiņā konstrukcijas kontaktdakša, kas piemērota kontaktligzdai, ļauj samazināt elektriskā trieciena saņemšanas risku.
- b) **Darba laikā nepieskarieties sazemētiem priekšmetiem, piemēram, caurulēm, radiatoriem, plītim vai ledusskapjiem.** Pieskaroties sazemētām virsmām, pieaug risks saņemt elektrisko triecienu.
- c) **Nelietojiet elektroinstrumentu lietus laikā, neturiet to mitrumā.** Mitrumam iekļūstot instrumentā, pieaug risks saņemt elektrisko triecienu.
- d) **Nenesiet un nepiekariet elektroinstrumentu aiz elektrokabeļa. Neraujiet aiz kabeļa, ja vēlaties atvienot instrumentu no elektrotīkla kontaktligzdas. Sargājiet elektrokabeli no karstuma, eļļas, asām šķautnēm un instrumenta kustīgajām daļām.** Bojāts vai samezģojies elektrokabelis var būt par cēloni elektriskajam triecienam.
- e) **Darbinot elektroinstrumentu ārpus telpām, izmantojiet tā pievienošanai vienīgi tādus pagarinātājkabeļus, kuru lietošana ārpus telpām ir atļauta.** Lietojot elektrokabeli, kas piemērots darbam ārpus telpām, samazinās risks saņemt elektrisko triecienu.
- f) **Ja elektroinstrumentu tomēr nepieciešams lietot vietās ar paaugstinātu mitrumu, izmantojiet tā**

pievienošanai noplūdes strāvas aizsargreleju.

Lietojot noplūdes strāvas aizsargreleju, samazinās risks saņemt elektrisko triecienu.

#### 3) PERSONISKĀ DROŠĪBA

- a) **Darba laikā saglabājiet paškontroli un rīkojieties saskaņā ar veselo saprātu. Pārtrauciet darbu, ja jūtaties noguris vai atrodaties alkohola, narkotiku vai medikamentu izraisītā reibumā.** Strādājot ar elektroinstrumentu, pat viens neuzmanības mirklis var būt par cēloni nopietnam savainojumam.
  - b) **Izmantojiet individuālos darba aizsardzības līdzekļus un darba laikā vienmēr nēsājiet aizsargbrilles.** Individuālo darba aizsardzības līdzekļu (putekļu maskas, neslidošu apavu un aizsargķiveres vai ausu aizsargu) pielietošana atbilstoši elektroinstrumenta tipam un veicamā darba raksturam ļauj izvairīties no savainojumiem.
  - c) **Nepieļaujiet elektroinstrumenta patvaļīgu ieslēgšanos. Pirms elektroinstrumenta pievienošanas elektrotīklam, akumulatora ievietošanas vai izņemšanas, kā arī pirms elektroinstrumenta pārnesšanas pārliecinieties, ka tas ir izslēgts.** Pārnesot elektroinstrumentu, ja pirksts atrodas uz ieslēdzēja, kā arī pievienojot to elektrobarošanas avotam laikā, kad elektroinstrumenti ir ieslēgti, var viegli notikt nelaimes gadījums.
  - d) **Pirms instrumenta ieslēgšanas neaizmirstiet izņemt no tā regulējošos instrumentus vai skrūvjatslēgas.** Patronatslēga vai skrūvjatslēga, kas instrumenta ieslēgšanas brīdī nav izņemta no tā, var radīt savainojumu.
  - e) **Strādājot ar elektroinstrumentu, ieturiet stingru stāju.** Darba laikā vienmēr saglabājiet līdzsvaru un centieties nepaslidēt. Tas atvieglos instrumenta vadību neparedzētās situācijās.
  - f) **Izvēlieties darbam piemērotu apģērbu.** Darba laikā nenēsājiet brīvi pļaudas drēbes un rotaslietas. **Netuviniet matus, apģērbu un aizsargcimdus instrumenta kustīgajām daļām.** Vaļīgas drēbes, rotaslietas un gari mati var iekļerties instrumenta kustīgajās daļās.
  - g) **Ja elektroinstrumenta konstrukcija ļauj tam pievienot ārējo putekļu uzsūkšanas vai savākšanas/uzkrāšanas ierīci, sekojiet, lai tā tiktu pievienota elektroinstrumentam un pareizi darbotos.** Pielietojot putekļu uzsūkšanu vai savākšanu/uzkrāšanu, samazinās to kaitīgā ietekme uz strādājošās personas veselību.
- #### 4) ELEKTROINSTRUMENTU LIETOŠANA UN APKOPE
- a) **Nepārslodojiet elektroinstrumentu. Katram darbam izvēlieties piemērotu instrumentu.** Elektroinstrumenti darbosies labāk un drošāk pie nominālās slodzes.
  - b) **Nelietojiet elektroinstrumentu, ja ir bojāts tā ieslēdzējs.** Elektroinstrumenti, ko nevar ieslēgt un izslēgt, ir bīstams lietošanai un to nepieciešams remontēt.
  - c) **Pirms elektroinstrumenta apkopes, regulēšanas vai darbinstrumenta nomaiņas atvienojiet tā kontaktdakšu no barojošā elektrotīkla vai izņemiet no tā akumulatoru.** Šādi iespējams samazināt elektroinstrumenta nejaušas ieslēgšanās risku.

- d) Elektroinstrumentu, kas netiek darbināts, uzglabājiet piemērotā vietā, kur tas nav sasniedzams bērniem un personām, kuras neprot rīkoties ar instrumentu. Ja elektroinstrumentu lieto nekompetentas personas, tas var apdraudēt cilvēku veselību.
- e) Rūpīgi veiciet elektroinstrumenta apkalpošanu. Pārbaudiet, vai kustīgās daļas darbojas bez traucējumiem un nav iespīlētas, vai kāda no daļām nav salauzta vai bojāta, vai katra no tām pareizi funkcionē un pilda tai paredzēto uzdevumu. **Nodrošiniet, lai bojātās daļas tiktu savlaicīgi nomainītas vai remontētas pilnvarotā remontu darbnīcā.** Daudzi nelaimes gadījumi notiek tāpēc, ka elektroinstruments pirms lietošanas nav pienācīgi apkalpots.
- f) **Savlaicīgi notīriet un uzasiniet griezošos darbinstrumentus.** Rūpīgi kopti instrumenti, kas apgādāti ar asiem griezējinstrumentiem, ļauj strādāt daudz ražīgāk un ir vieglāk vadāmi.
- g) **Lietojiet vienīgi tādus elektroinstrumentus, papildpiederumus, darbinstrumentus utt., kas paredzēti attiecīgajam pielietojuma veidam. Bez tam jāņem vērā arī konkrētie darba apstākļi un pielietojuma īpatnības.** Elektroinstrumentu lietošana citiem mērķiem, nekā to ir paredzējusi ražotāji, ir bīstama un var novest pie neparedzamām sekām.
- 5) APKALPOŠANA**
- a) **Nodrošiniet, lai Instrumenta remontu veiktu kvalificēts personāls, nomaļai izmantojot oriģinālas rezerves daļas un piederumus.** Tikai tā iespējams panākt instrumenta ilgstošu un nevainojamu darbību bez atteikumiem.

## DARBA DROŠĪBAS NOTEIKUMI ĒVELĒM

### VISPĀRĒJIE DROŠĪBAS NOTEIKUMI

- Šo instrumentu nedrīkst izmantot personas, kas jaunākas par 16 gadiem
- Darba laikā instrumenta radītā trokšņa līmenis var pārsniegt 85 dB(A); **lietojiet asu aizsargus ④**
- Materiāla (piemēram, svīnu saturošas krāsas, dažu koka šķirņu, minerālu un metāla) putekļi var būt kaitīgi (saskare ar putekļiem vai to ieelpošana var izraisīt alerģiskas reakcijas un/vai elpošanas ceļu saslimšanas operatoram vai klātesošajiem); **izmantojiet putekļu masku ⑤ un putekļsūcēju, ja to iespējams pievienot**
- Dažu veidu putekļi ir klasificēti kā kancerogēni (piemēram, ozola vai dižskābarža putekļi), jo īpaši apvienojumā ar koksnes kondicionēšanas piedevām; **izmantojiet putekļu masku ⑤ un putekļsūcēju, ja to iespējams pievienot**
- Ievērojiet ar putekļu savākšanu saistītos nacionālos noteikumus, kas attiecas uz aprādājamiem materiāliem
- Firma SKIL garantē instrumenta nevainojamu darbību tikai tad, ja tiek lietoti oriģinālie papildpiederumi
- Neizmantojiet instrumentu, ja tam ir bojāts elektrokabelis; tā nomaļai drīkst veikt tikai pieredzējis speciālists
- Pirms instrumenta regulēšanas vai piederumu nomainas atvienojiet to no barojošā elektrotīkla

## PIRMS DARBA UZSĀKŠANAS

- Vienmēr pārliecinieties, ka spriegums, kas uzrādīts uz instrumenta marķējuma plāksnītes, atbilst padeves spriegumam elektrotīklā (230V vai 240V spriegumam paredzētie instrumenti var darboties arī no 220V elektrotīkla)
- Izvairiet no instrumenta bojājumiem, ko var radīt aprādājāmajā priekšmetā esošās skrūves, naglas vai citi līdzīgi objekti; pirms darba uzsākšanas atbrīvojiet aprādājamo materiālu no šādiem priekšmetiem
- Pirms instrumenta lietošanas pārliecinieties, ka tā asmeņi neskar tuvumā esošās daļas un var brīvi griezties
- Lietojiet pilnīgi atīttus un drošus pagarinātājkaabeļus, kas paredzēti 16 A strāvai
- **Izmantojiet skavas vai citā drošā veidā nostipriniet un atbalstiet detaļu uz stabilas virsmas** (turot detaļu rokās vai pie ķermeņa, tā var būt nestabila, un jūs varat zaudēt kontroli)

## DARBA LAIKĀ

- Turiet instrumentu aiz izolētas satvervirsmas, jo pastāv iespēja, ka grieznis var skart instrumenta kabeli (pārgriežot spriegumu nesošus vadus, šis spriegums var nonākt uz instrumenta metāla daļām un radīt operatoram triecienu)
- Darba laikā sekojiet, lai elektrokabelis atrastos drošā attālumā no instrumenta kustīgajām daļām un stieptos prom no darba vietas virzienā uz aizmuguri
- Netuviniet pirkstus rotējošajiem asmeņiem
- Elektriska vai mehāniska rakstura kļūmes gadījumā nekavējoties izslēdziet instrumentu un atvienojiet kabeļa kontaktdakšu no elektrotīkla
- Ja darba laikā tiek pārgriezti vai citādi mehāniski bojāti instrumenta elektrokabelis, nepieskarieties tam, bet nekavējoties atvienojiet elektrokabeļa kontaktdakšu no barojošā elektrotīkla
- Ja tiek nosprostota putekļu no skaidu izvadatvere, izslēdziet instrumentu, noģaidiet, līdz visas tā kustīgās daļas pilnīgi apstājas, atvienojiet instrumentu no elektrotīkla un atīriet izvadatveri

## PĒC DARBA PABEIGŠANAS

- **Pirms instrumenta novietošanas nogaidiet, līdz apstājas tā asmeņu bloks** (kustīgais asmens var ieķerties atbalsta virsmā, kā rezultātā instruments var kļūt nevadāms un nopietni savainot lietotāju)

## DARBS

- Asmeņu nomaina/apgriešana ⑥  
Šī ēvele ir aprīkota ar asmeņiem, kas nav paredzēti atkārtotai asināšanai un kuriem griezējšķautnes atrodas abās pusēs; ja griezējšķautne asmens vienā pusē kļūst neasa, ja izmantot griezējšķautni asmens otrā pusē **! izslēdziet instrumentu un atvienojiet to no strāvas kontaktligzdas**
- izņemiet atslēgu no nodalījuma A
- apgrieziet instrumentu otrādi
- ar atslēgas palīdzību atskrūvējiet 3 skrūves B (neizskrūvējiet tās pilnīgi)
- lietojot koka stienīti, izbidiet asmeni no asmeņu bloka
- apgrieziet asmeni un no jauna iebīdiet to asmeņu blokā vai arī iestipriniet tajā jaunu asmeni
- ! asmens gropē jāatbilst izcilinim asmeņu blokā**
- ! abiem asmens galiem jābūt iebīdītiem asmeņu blokā vienādā attālumā**

- ar atslēgas palīdzību stingri pieskrūvējiet 3 skrūves B
- ! savlaicīgi nomainiet/apgrieziet asmeņus; lietojiet vienīgi asus asmeņus**
- ! vienmēr nomainiet/apgrieziet abus asmeņus vienlaicīgi**
- ! nemēģiniet regulēt asmeņu stāvokli ar asmeņu bloka skrūvēm C, jo to stāvoklis jau ir iestādīts ražotājrūpnīcā**
- Ēvelēšanas dziļuma regulēšana ⑦
  - pagrieziet kloķi D "+" / "-" virzienā, lai palielinātu/ samazinātu ēvelēšanas dziļumu
  - izmantojiet indikatoru E kā norādi
  - vienmēr sākmā izvēlieties nelielu ēvelēšanas dziļumu un tad atkārtojiet ēvelēšanu, pakāpeniski palielinot ēvelēšanas dziļumu, līdz tiek sasniegts vēlamais apstrādes dziļums
- Skaidu izvadatvere ⑧
  - pie skaidu izvadatveres G pievienojiet putekļsūcēju ar adapteru F, kā attēlots
  - ! ja putekļu un skaidu izvadatvere ir nosprostota, to nekādā gadījumā nedrīkst iztīrīt laikā, kad griežas instrumenta asmeņi**
- Instrumenta darbināšana
  - ieruglējiet ēvelēšanas dziļumu
  - novietojiet instrumentu uz apstrādājamā priekšmeta
  - ! nodrošiniet, lai uz apstrādājamā priekšmeta atrastos vienīgi instrumenta pamatnes priekšējā daļa, bet asmeņi tam nepieskartos**
  - ieslēdziet instrumentu, vispirms nospiežot debloķēšanas pogu H ② (= drošības slēdzis, kas nav fiksējams ieslēgtā stāvoklī) un tad nospiežot ieslēdzēju J ②
  - ! pirms asmeņi pieskaras apstrādājamajam priekšmetam, instrumentam jādarbojas ar pilnu ātrumu**
  - ! darba laikā vienmēr turiet instrumentu aiz pelēkās krāsas noturvirsmas(ām) ⑨**
  - stingri turiet instrumentu ar abām rokām un vienmērīgi virziet uz priekšu
  - darba laikā nodrošiniet, lai instrumenta pamatne nepārtraukti saskartos ar apstrādājamā priekšmeta virsmu
  - lai novērstu nevēlamu virsmas defektu (švīku) veidošanu, darba laikā nenolieciet instrumentu sānu virzienā
  - ! pirms instrumenta izslēgšanas paceliet to no apstrādājamā priekšmeta virsmas**
  - izslēdziet instrumentu, atlaižot ieslēdzēju J

## PRAKTISKI PADOMI

- Apstrādājamā priekšmeta šķautņu apdarei izmantojiet V-veida gropi ēveles kurpes priekšdaļā ⑩
- šķautņu apdarei līdzīgi gropi iestatiet kloķi D stāvoklī "0"
- lielākām gropēm pagrieziet kloķi D, lai izvēlētos vajadzīgo ēvelēšanas dziļumu
- ! pirms darba vienmēr veiciet apstrādes mēģinājumu uz materiāla atgriezumā**
- Papildu ieteikumi ir sniegti datortīkla vietnē www.skil.com

## APKALPOŠANA / APKOPE

- Šis darbarīks nav paredzēts profesionālai lietošanai
- Uzturiet tīru instrumentu un elektrokabeli (īpaši ventilācijas atveres L ②)
- ! pirms instrumenta tīrīšanas atvienojiet to no elektrotīkla**
- Ja, neraugoties uz augsto izgatavošanas kvalitāti un rūpīgo pēcažošanas pārbaudi, instruments tomēr sabojājas, tas jānogādā remontam firmas SKIL pilnvarotā elektroinstrumentu remonta darbnīcā
  - nogādājiet instrumentu **neizjauktā veidā** kopā ar iegādes dokumentiem tuvākajā tirdzniecības vietā vai firmas SKIL pilnvarotā pēciegādes apkalpošanas un remonta iestādē (adreses un instrumenta apkalpošanas shēma ir sniegta interneta vietnē www.skil.com)

## APKĀRTĒJĀS VIDES AIZSARDZĪBA

- **Neizmetiet elektroiekārtas, piederumus un iesaiņojuma materiālus sadzīves atkritumos** (tikai ES valstīm)
  - saskaņā ar Eiropas Savienības direktīvu 2002/96/ES par nolietotajām elektriskajām un elektroniskajām iekārtām un tās atspoguļojumiem nacionālajā likumdošanā, nolietotās elektroiekārtas ir jāsavāc, jāizjauc un jānogādā atsevišķai pārstrādei apkārtējai videi nekaitīgā veidā
  - īpašs simbols ① atgādina par nepieciešamību izstrādājumus izlietot videi nekaitīgā veidā

## CEĀTBILSTĪBAS DEKLARĀCIJA

- Mēs ar pilnu atbildību paziņojam, ka šis izstrādājums atbilst standartiem vai standartizācijas dokumentiem EN 60745, EN 61000, EN 55014 un ir saskaņā ar direktīvām 2004/108/EK, 2006/42/EK, 2011/65/ES
- **Tehniskā dokumentācija no:** SKIL Europe BV (PT-SEU/ENG1), 4825 BD Breda, NL

Marijn van der Hoofden      Olaf Dijkgraaf  
Operations & Engineering      Approvals Manager




SKIL Europe BV, 4825 BD Breda, NL  
27.06.2013

## TROKSNIS/VIBRĀCIJA

- Saskaņā ar standartu EN 60745 noteiktais instrumenta radītā trokšņa skaņas spiediena līmenis ir 90 dB(A) un skaņas jaudas līmenis ir 101 dB(A) (pie tipiskās izkliedes 3 dB), un vibrācijas paātrinājums ir 5,1 m/s<sup>2</sup> (roku-delnu metode; izkliede K = 1,5 m/s<sup>2</sup>)
- Vibrācijas līmenis ir noteikts, izmantojot standartā EN 60745 paredzēto procedūru; to var izmantot, lai salīdzinātu instrumentus un provizoriski izvērtētu vibrācijas iedarbību, lietojot instrumentu minētajiem mērķiem
  - instrumenta izmantošana citiem mērķiem vai ar citiem vai nepietiekami koptiem piederumiem var ievērojami palielināt kopējo vibrācijas iedarbības pakāpi
  - laika periodi, kad instruments ir izslēgts vai arī ir ieslēgts, taču darbs ar to nenotiek, var ievērojami

samazināt kopējo vibrācijas iedarbības pakāpi  
**! pasargājiet sevi no vibrācijas iedarbības, veicot instrumentu un tā piederumu tehnisko apkopi, novēršot roku atdzišanu un pareizi organizējot darbu**

LT

**Oblius**

**1558**

## ĪVADAS

- Šis prietaiss yra skirtas mediniams ruošiniams (pvz., sijoms ar lentoms) obliuoti; jis tinka ir briaunoms nusklembti
- Šis prietaiss neskirtas profesionaliam naudojimui
- Perskaitykite ir išsaugokite šią naudojimo instrukciją ③

## TECHNINĖS CHARAKTERISTIKOS ①

### PRIETAISO ELEMENTAI ②

- A Dėklas raktui
- B Tvirtinamasis varžtas
- C Peilių būgno varžtai
- D Obliavimo gylio regulatoriaus rankena
- E Obliavimo gylio indikatorius
- F Dulkių nusiurbimo atvamzdį
- G Dulkių nusiurbimo atvamzdis
- H Apsauginis jungiklis
- J Įjungimo/išjungimo jungiklis
- K V griovelis
- L Ventiliacinės angos

## SAUGA

### BENDROSIOS DARBO SAUGOS INSTRUKCIJOS

**⚠ DĖMESIO! Perskaitykite visas šias saugos nuorodas ir reikalavimus.** Jei nepaisysite žemiau pateiktų saugos nuorodų ir reikalavimų, gali trenkti elektros smūgis, kilti gaisras ir/arba galite sunkiai susižaloti arba sužaloti kitus asmenis. **Išsaugokite šias saugos nuorodas ir reikalavimus, kad ir ateityje galėtumėte jais pasinaudoti.** Toliau pateiktame tekste vartojama sąvoka "elektrinis įrankis" apibūdina įrankius, maitinamus iš elektros tinklo (su maitinimo laidu), ir akumuliatorinius įrankius (be maitinimo laido).

#### 1) DARBO VIETOS SAUGUMAS

- Darbo vieta turi būti švari ir tvarkinga.** Netvarka ar blogai apšviesta darbo vieta gali tapti nelaimingų atsitikimų priežastimi.
- Nedirbkite tokioje aplinkoje, kur yra degių skysčių, dujų ar dulkių.** Elektriniai įrankiai gali kibirkščiuoti, o nuo kibirkščių dulkės arba susikaupę garai gali užsidegti.
- Dirbdami su elektriniu įrankiu neleiskite šalia būti žiūrovams, vaikams ir lankytojams.** Nukreipę dėmesį į kitus asmenis galite nebesuvaldyti prietaiso.

#### 2) ELEKTROSAUGA

- Maitinimo laido kištukas turi atitikti tinklo rozetės**

tipą. Kištuko jokių būdu negalima modifikuoti. **Nenaudokite jokių kištuko adapterių su įžemintais prietaisais.** Originalūs kištukai, tiksliai tinkantys elektros tinklo rozetei, sumažina elektros smūgio pavojų.

- Venkite kūno kontakto su įžemintais paviršiais, tokiais kaip vamzdžiai, šildytuvai, viryklės ar šaldytuvai.** Egzistuoja padidinta elektros smūgio rizika, jei Jūsų kūnas bus įžemintas.
  - Saugokite prietaisą nuo lietaus ir drėgmės.** Jei vanduo patenka į elektrinį prietaisą, padidėja elektros smūgio rizika.
  - Nenaudokite maitinimo laido ne pagal paskirtį, t. y. neneškite prietaiso paėmę už laido, nekabinkite prietaiso už laido, netraukite už jo, norėdami išjungti kištuką iš rozetės. Laidą klokite taip, kad jo neveiktų karštis, jis neišsitemptų alyva ir jo nepažeistų aštrios detalės ar judančios prietaiso dalys.** Pažeisti arba susipynę laidai gali tapti elektros smūgio priežastimi.
  - Jei su elektriniu įrankiu dirbate lauke, naudokite tik tokius ilginimo kabelius, kurie tinka lauko darbams.** Naudojant lauko darbams pritaikytus ilginimo kabelius, sumažinamas elektros smūgio pavojus.
  - Jei su elektriniu įrankiu neišvengiamai reikia dirbti drėgnoje aplinkoje, naudokite įžeminimo grandinės pertraukiklį.** Naudojant įžeminimo grandinės pertraukiklį, sumažėja elektros smūgio pavojus.
- ### 3) ŽMONIŲ SAUGA
- Būkite atidūs, sutelkite dėmesį į tai, ką Jūs darote ir, dirbdami su elektriniu įrankiu, vadovaukitės sveiku protu. Nedirbkite su prietaisu, jei esate pavargę arba vartojote narkotikus, alkoholį ar medikamentus.** Akimirksnio neatidumas naudojant prietaisą gali tapti rimtų sužalojimų priežastimi.
  - Naudokite asmenines apsaugos priemones ir visuomet užsidėkite apsauginius akinius.** Naudojant asmenines apsaugos priemones, pvz., respiratorių ar apsauginę kaukę, neslystančius batus, apsauginį šalną, klausos apsaugos priemones ir kt., rekomenduojamas dirbant su tam tikros rūšies įrankiais, sumažėja rizika susižeisti.
  - Saugokitės, kad neįjungtumėte prietaiso atsitiktinai. Prieš prijungdami elektrinį įrankį prie elektros tinklo ir/arba akumuliatoriaus, prieš pakeldami ar nešdami įsitinkinkite, kad jis yra išjungtas.** Jeigu nešdami elektrinį įrankį pirštą laikysite ant jungiklio arba prietaisą įjungsitė į elektros tinklą, kai jungiklis yra įjungtas, gali įvykti nelaimingas atsitikimas.
  - Prieš įjungdami prietaisą pašalinkite reguliavimo įrankius arba veržlių raktus.** Prietaiso besisukančioje dalyje esantis įrankis ar raktas gali tapti sužalojimų priežastimi.
  - Nepervertinkite savo galimybių. Dirbdami atsistokite patikimai ir visada išlaikykite pusiausvyrą.** Patikima stovėseną ir tinkama kūno laikysena leis geriau kontroliuoti prietaisą netikėtose situacijose.
  - Dėvėkite tinkamą aprangą. Nedėvėkite plačių drabužių ir papuošalų. Saugokitės plaukus, drabužius ir pirštines nuo besisukančių prietaiso dalių.** Laisvus drabužius, papuošalus bei ilgus plaukus gali įtraukti besisukančios dalys.

- g) Jei yra numatyta galimybė prijungti dulkių nusiurbimo ar surinkimo įrenginius, visada įsitikinkite, ar jie yra prijungti ir ar teisingai naudojami. Naudojant dulkių nusiurbimo įrenginius sumažėja kenksmingas dulkių poveikis.
- 4) RŪPESTINGA ELEKTRINIŲ ĮRANKIŲ PRIEŽIŪRA IR NAUDOJIMAS**
- a) **Neperkraukite prietaiso. Naudokite Jūsų darbui tinkamą elektrinį įrankį.** Su tinkamu elektriniu įrankiu Jūs dirbsite geriau ir saugiau, jei neviršysite nurodyto galingumo.
- b) **Nenaudokite elektrinio įrankio su sugedusiu jungikliu.** Elektrinis įrankis, kurio nebegalima įjungti ar išjungti, yra pavojingas ir jį reikia remontuoti.
- c) **Prieš reguliuodami prietaisą, keisdami darbo įrankius ar prieš valydami prietaisą, iš elektros tinklo lizdo ištraukite kištuką ir/arba išimkite akumuliatorių.** Ši saugumo priemonė apsaugos jus nuo netikėto prietaiso įsijungimo.
- d) **Nenaudojamą prietaisą sandėliuokite vaikams ir nemokantiems juo naudotis asmenims neprieinamoje vietoje.** Elektriniai įrankiai yra pavojingi, kai juos naudoja nepatyrę asmenys.
- e) **Rūpestingai prižiūrėkite prietaisą. Tikrinkite, ar besisukančios prietaiso dalys tinkamai veikia ir niekur nekliūva, ar nėra sulūžusių ar šiaip pažeistų dalių, kurios įtakotų prietaiso veikimą.** Prieš vėl naudojant prietaisą pažeistos prietaiso dalys turi būti suremontuotos. Daugelio nelaimingų atsitikimų priežastis yra blogai prižiūrimi elektriniai įrankiai.
- f) **Pjovimo įrankiai turi būti aštrūs ir švarūs.** Rūpestingai prižiūrėti pjovimo įrankiai su aštriomis pjaunamosiomis briaunomis mažiau stringa ir juos yra lengviau valdyti.
- g) **Elektrinį įrankį, papildomą įrangą, darbo įrankius ir t. t. naudokite taip, kaip nurodyta šioje instrukcijoje. Taip pat atsižvelkite į darbo sąlygas bei atliekamo darbo pobūdį.** Naudojant elektrinius įrankius ne pagal jų paskirtį galima sukelti pavojingas situacijas.
- 5) APTARNAVIMAS**
- a) **Prietaisą turi remontuoti tik kvalifikuotas specialistas ir naudoti tik originalias atsargines dalis.** Taip galima garantuoti, jog prietaisas išliks saugus.

## SAUGOS NUORODOS DIRBANTIEMS SU OBLIAIS

### BENDROJI DALIS

- Šį prietaisą turėtų naudoti tik asmenys, kuriems 16 ir daugiau metų
- Darbo metu triukšmo lygis gali viršyti 85 dB(A); naudoti klausos apsaugos priemonės ④
- Kai kurių medžiagų, kaip antai dažų, kurių sudėtyje yra švino, kai kurių medžių rūšių medienos, mineralų ir metalo dulkės gali būti kenksmingos (kontaktas su šiomis dulkėmis arba įkvėptos dulkės gali sukelti operatoriui arba šalia esantiems žmonėms alergines reakcijas ir/arba kvėpavimo sistemos susirgimus); **mūvėkite priešdulkinę puskaukę ⑤ arba dirbdami naudokite dulkių ištraukimo įrenginį, jei jį galima prijungti**
- Kai kurių rūšių dulksės priskiriamos kancerogeninėms (pvz., ažuolo arba buko medienos dulkės), ypač

susimaišiusios su medienos taurinimui naudojamais priedais; **mūvėkite priešdulkinę puskaukę ⑤ arba dirbdami naudokite dulkių ištraukimo įrenginį, jei jį galima prijungti**

- Vadovaukitės Jūsų šalyje taikomų direktyvų reikalavimais, skirtais medžiagoms, su kuriomis norite dirbti
  - SKIL gali garantuoti nepriekaištingą prietaiso veikimą tik tuo atveju, jei naudojama originali papildoma įranga ir priedai
  - Prietaisą su pažeistu kabeliu naudoti draudžiama; jį turi pakeisti kvalifikuotas elektrikas
  - **Prieš reguliuojant prietaisą arba keičiant darbo įrankius, ištraukite kištuką iš el. tinklo lizdo**
- PRIEŠ EKSPLOATACIJĄ**
- Visada patikrinkite, ar elektros tinklo įtampa sutampa su įtampos dydžiu, nurodytu prietaiso vardinėje lentelėje (prietaisus su nurodyta įtampa 230V ir 240V galima jungti į 220V įtampos elektros tinklą)
  - Saugokitės, kad nepažeistumėte prietaiso į ruošinyje esančius varžtus, vinis ir pan; prieš pradėdami darbą juos pašalinkite
  - Prieš pradėdami obliuoti įsitikinkite, kad peilis sukasi laisvai, prie nieko nesiliesdamas
  - Naudodami ilginamuosius kabelius atkreipkite dėmesį į tai, kad kabelis būtų iki galo išvyniotas ir būtų pritaikytas 16 A elektros srovei
  - **Dirbinį prie stabilus pagrindo pritvirtinkite spaustuvais ar kitomis tinkamomis priemonėmis** (rankoje laikomas ar į kūną atremtas dirbinyje yra nestabilus ir galime nesuvaldyti jo arba įrankio)

### EKSPLOATACIJA

- **Elektrinį prietaisą laikykite už izoliuotų rankenų, nes pjoviklis gali kliudyti paties prietaiso maitinimo laidą** (įpjovus laidą, kuriuo teka elektros srovė, atvirose metalinėse elektrinio prietaiso dalyse atsiranda įtampa ir naudojantys gauna elektros smūgį)
- Pasiūpinkite, kad maitinimo kabelis nebūtų arti besisukančių prietaiso dalių; klokite jį kuo toliau už prietaiso
- Jokių būdu nelieskite besisukančio peilio rankomis
- Atsiradus mechaninio ar elektrinio pobūdžio trukdžiams, tuojau pat išjunkite prietaisą ir ištraukite kištuką iš elektros tinklo lizdo
- Jei dirbant bus pažeistas ar nutrauktas kabelis, būtina neliečiant kabelio tuojau pat ištraukti kištuką iš elektros tinklo lizdo
- Jeigu drožlės užkemša drožlių išmetimo atvamzdį, pirmiausia išjunkite prietaisą, įsitikinkite, kad visos besisukančios dalys visiškai sustojo, ištraukite kištuką iš el. tinklo lizdo, ir tik po to išvalykite užsikimšusį atvamzdį

### PO EKSPLOATACIJOS

- **Prieš padėdami prietaisą palaukite, kol peilių velenas visiškai sustos** (besisukantis peilis gali užkabinti paviršių, ant kurio jį padedate ir prietaisas gali tapti nevaldomas bei sunkiai jus sužaloti)

## NAUDOJIMAS

- Peilio pakeitimas arba apvertimas ⑥  
Šis obliuris turi dvipusį negalandamą peilį; kai viena jo pusė atšimpa, obliuokite kita puse  
**! išjunkite prietaisą ir ištraukite kištuką iš lizdo**  
- išimkite iš dėklo A raktą  
- apverskite prietaisą

- raktu atsukite 3 varžtus B (varžtų neištraukite)
- mediniu kaiščiu išstumkite peilį iš peilių būgno
- apsukite peilį ir vėl įdėkite jį į būgną arba paimkite naują peilį

**! peilio griovelis turi tiksliai atitikti peilių būgno briauną**

**! abu peilio galai turi išsikišti vienodai**

- tvirtai užveržkite 3 varžtus B raktu

**! laiku pakeiskite arba apverskite peilius; dirbkite tik su aštriais peiliais**

**! visuomet keiskite arba apverskite abu peilius tuo pat metu**

**! nemėginkite reguliuoti peilių būgno varžtais C, kurie yra sureguliuoti gamykloje**

- Obliviavimo gylio reguliavimas ⑦
  - pasukite rankenėlę D "+" / "-" kryptimi norėdami padidinti / sumažinti obliavimo gyį
  - indikatorius E naudokite kaip orientyrą
  - visuomet pasirinkite mažesnę obliavimo gyį ir norimą sluoksnį nuobliuokite per keletą kartų, pakaitomis obliuodami ir reguliuodami pjaunamos drožlės storį, kol pasieksite norimą obliavimo gyį
- Dulkių nusiurbimo atvamzdis ⑧
  - prijunkite dulkių siurbį su adapteriu F prie skiedrų surinkimo išvado G kaip pavaizduota

**! nemėginkite pašalinti kokią nors kliūtį iš dulkių nusiurbimo atvamzdžio, kol peiliai sukasi**

- Prietaiso naudojimas
    - nustatykite obliavimo gyį
    - uždėkite prietaisą ant ruošinio
- ! prieš įjungdami prietaisą įsitikinkite, kad priekinė pado dalis prigludusi prie ruošinio ir peiliai jos neličia**
- įjunkite prietaisą pirmiausiai nuspausdami apsauginį mygtuką H ② (= apsauginė jungiklio blokuotė, kurios užfiksuoti negalima), o paskui paspausdami jungiklį J ②

**! prieš peiliams paliečiant ruošinį, peilių būgnas turi įsibėgėti iki didžiausių sukčių**

**! dirbdami laikykite prietaisą už pilkos spalvos suėmimo vietos(-ų) ⑨**

- tvirtai laikykite prietaisą abiem rankomis ir tolygiai stumkite jį pirmyn
- obliuodami stenkitės, kad prietaisas priglustų prie ruošinio visu atraminio pado paviršiumi
- nevartykite prietaiso, kitaip ruošinio paviršius liks nepageidaujamos rievės

**! prieš išjungdami prietaisą atitraukite jį nuo ruošinio**

- išjunkite prietaisą, atleisdami jungiklį J

## NAUDOJIMO PATARIMAI

- Briaunų nuėmimui naudokite priekiniame pade padarytus V formos griovelį ⑩
  - nustatykite rankenėlę D į padėtį "0" norėdami daryti griovelius, panašius į griovelį
  - didesniems grioveliams pasukite rankenėlę D ties pasirinktu reikiamu obliavimo gyliu
- **! visuomet pirmiausia išbandykite pjovimo greitį, pjudami bandomąjį ruošinio gabalėlį**
- Daugiau patarimų rasite internete [www.skil.com](http://www.skil.com)

## PRIEŽIŪRA / SERVISAS

- Šis prietaisas nes skirtas profesionaliam naudojimui
- Periodiškai valykite prietaisą ir kabelį (ypač ventiliacinės angas L ⑫)
- **! prieš valydami ištraukite kištuką iš elektros tinklo lizdo**
- Jeigu prietaisas, nepaisant gamykloje atliekamo kruopštaus gamybos ir kontrolės proceso, vis dėlto sugestų, jo remontas turi būti atliekamas įgaliotose SKIL elektrinių įrankių remonto dirbtuvėse
  - **neišardytą** prietaisą kartu su pirkimo čekiu siųskite tiekėjui arba į artimiausią SKIL firmos įgaliotą elektros prietaisų techninio aptarnavimo tarnybą (adresus bei atsarginių dalių brėžinius rasite [www.skil.com](http://www.skil.com))

## APLINKOSAUGA

- **Nemeskite elektrinių įrankių, papildomos įrangos ir pakuotės į buitinių atliekų konteinerius** (galioja tik ES valstybėms)
  - pagal ES Direktyvą 2002/96/EG dėl naudotų elektrinių ir elektroninių prietaisų atliekų utilizavimo ir pagal vietinius valstybės įstatymus atitarnavę elektriniai įrankiai turi būti surenkami atskirai ir gabenami į antrinių žaliavų tvarkymo vietas, kur jie turi būti sunaikinami ar perdirbami aplinkai nekenksmingu būdu
  - apie tai primins simbolis ⑪, kai reikės išmesti atitarnavusį prietaisą

## CE ATITIKTIES DEKLARACIJA

- Mes atsakingai pareiškiame, kad šis gaminytis atitinka tokius standartus ir normatyvinius dokumentus: EN 60745, EN 61000, EN 55014 pagal reglamentų 2004/108/EB, 2006/42/EB, 2011/65/ES nuostatas
- **Techninė byla laikoma:** SKIL Europe BV (PT-SEU/ENG1), 4825 BD Breda, NL

Marijn van der Hoofden  
Operations & Engineering

Olaf Dijkgraaf  
Approvals Manager




SKIL Europe BV, 4825 BD Breda, NL  
27.06.2013

## TRIUŠMINGUMAS/VIBRACIJA

- Šio prietaiso triukšmingumas buvo išmatuotas pagal EN 60745 reikalavimus; keliamo triukšmo garso slėgio lygis siekia 90 dB(A) ir akustinio galingumo lygis 101 dB(A) (standartinis nuokrypis: 3 dB), ir vibracijos pagreitis rankos plaštakos srityje tipiniu atveju yra mažesnis, kaip 5,1 m/s<sup>2</sup> (paklaida K = 1,5 m/s<sup>2</sup>)
- Vibracijos sklaidos lygis išmatuotas pagal standarte EN 60745 išdėstytus standartizuoto bandymo reikalavimus; ši vertė gali būti naudojama vienam įrankiui palyginti su kitu bei išankstiniams vibracijos poveikiui įvertinti, kai įrankis naudojamas paminėtais būdais
  - naudojant įrankį kitokiais būdais arba su kitokiais bei netinkamai prižiūrimais priedais, gali žymiai **padidėti** poveikio lygis
  - laikotarpiams, kai įrankis išjungtas arba yra įjungtas,

tačiau juo nedirbama, gali žymiai **sumažėti** poveikio lygis

**! apsisaugokite nuo vibracijos poveikio prižiūradami įrankį ir jo priedus, laikydami rankas šiltai ir derindami darbo ciklus su pertraukėlėmis**

МК

Струг

1558

## УПАТСТВО

- Алатот е наменет за стругање материјали од дрво како на пример даски и греди; тој исто така е погоден за засекување рабови
- Овој алат не е наменет за професионална употреба
- Внимателно прочитајте го и зачувајте го ова упатство за ракување ③

## ТЕХНИЧКИ СПЕЦИФИКАЦИИ ①

### ЕЛЕМЕНТИ НА АЛАТОТ ②

- A Лежиште за клуч
- B Сигурносна завртка
- C Навртки на сечачот
- D Копче за одредување на длабочината на стружење
- E Индикатор за длабочината на стружењето
- F Адаптер за правосумкалката
- G Излез за деланките
- H Сигурносен прекинувач
- J Прекинувач за вклучување/исклучување
- K V-жлеб
- L Отвори за вентилација

## БЕЗБЕДНОСТ

### ОПШТИ УПАТСТВА ЗА БЕЗБЕДНОСТ

**⚠ ПРЕДУПРЕДУВАЊЕ! Сите упатства мора да се прочитаат.** Непочитување на долу наведените упатства може да предизвика струен удар, пожар и/или тешки повреди. **Чувајте ги сите предупредувања и напатствија за во иднина.** Поимот "електричен алат", кој се користи во понатамошниот текст, се однесува на вашиот електричен алат (со приклучен кабел) и на електрични алати со погон на батерии (без приклучен кабел).

#### 1) БЕЗБЕДНОСТ НА РАБОТНОТО МЕСТО

- Одржувајте го вашето работно место чисто и уредно.** Неуреден или темен работен простор може да предизвикаат незгоди.
- Немојте да работите со уредот во средина во која има опасност од експлозија, во која има запалливи течности, гасови и прашина.** Електричните алати произведуваат искри кои можат да запалат прашина или пара.
- За време на употребата на електричниот алат, децата и останатите лица држете ги подалеку од местото каде работите.** Одвраќање, би можеле да изгубите контрола врз уредот.

#### 2) ЕЛЕКТРИЧНА СИГУРНОСТ

- Утикач мора да одговара на приклучокот.** Никане не смее да се прават измени на штекерот. Не користете адаптерски штекер заедно со уредот кој е заштитно заземјен. Не променети штекери и соодветни приклучоци го намалуваат ризикот од електричен удар.
  - Избегнувајте допир на телото со заземјени површини, како што се цевки, радијатори, рерни и фрижидери.** Постои зголемена опасност од струен удар, доколку Вашето тело е заземјено.
  - Чувајте го уредот подалеку од дожд и влага.** Продирањето на вода во електричниот уред ја зголемува опасноста од струен удар.
  - Не злоупотребувајте го приклучниот кабел за носење, бесење на уредот или за извлекување на штекерот од мрежниот приклучок.** Чувајте го кабелот подалеку од топлина, масло, остри рабови или деловите на апаратот кои се движат. Оштетени или заплеткани кабли ја зголемуваат опасноста од струен удар.
  - Кога го употребувате полначот надвор, користете продолжен кабел кој е соодветен за употреба на отворен простор.** Примената на продолжен кабел соодветен за работа на отворен простор ја намалува опасноста од струен удар.
  - Доколку не може да се избегне работа со електричниот алат во влажна средина, користете прекинувач за струјна заштита при технички проблеми.** Употребата на прекинувачот за струјна заштита при технички проблеми го намалува ризикот од електричен удар.
- #### 3) БЕЗБЕДНОСТ НА ЛУЃЕ
- Бидете внимателни, внимавајте што правите и постапувајте внимателно додека работите со електричниот алат. Не работете со уредот доколку сте уморни или под дејство на дрога, алкохол или лекови.** Еден момент на невнимание при употребата може да доведе до сериозни повреди.
  - Носете ја личната заштитна опрема и секогаш носете заштитни очила.** Носењето на личната заштитна опрема, како што е маската за прашина, безбедносната облека која не се лизга, заштитен шлем или штитник за слух, зависно од видот и примената на електричниот алат, ја намалува опасноста од повреда.
  - Избегнувајте невнимателно вклучување за време на работата. Осигурајте се прекинувачот да биде во "OFF" позиција пред да го ставите штекерот во приклучокот.** Доколку го носите електричниот алат со прстот на прекинувачот или го приклучувате апаратот кој е приклучен со напојување на струја, може да предизвикате незгоди.
  - Пред вклучување на уредот, тргнете ги алатите за подесување или клучот за навртување.** Алатот или клучот кој се наоѓа во вртливиот дел на уредот, може да предизвика незгода.
  - Не ги преценувајте своите способности.** Завземете сигурен и стабилен став и во секој момент одржувајте рамнотежа. На тој начин можете подобро да го контролирате уредот во



- неочекувани ситуации.
- f) **Носете соодветна облека. Не носете широка облека или накит. Косата, облената и раковниците држете ги подалеку од деловите кои се движат.** Комотната облека, накитот или долгата коса може да бидат фатени во деловите кои се движат.
  - g) **Доколку може да се монтираат направи за вшмукување и фаѓање прашина, проверете дали се вклучени и дали можат исправно да се користат.** Примената на овие направи ја намалува опасноста од прашината.
- #### 4) ВНИМАТЕЛНА УПОТРЕБА И РАКУВАЊЕ СО ЕЛЕКТРИЧНИТЕ АЛАТИ
- a) **Не го преоптеретувајте уредот. При вашата работа користете го предвидениот електричен алат за таа употреба.** Со соодветниот електричен алат ќе работите подобро и посигурно во наведената функционална област.
  - b) **Не користете електричен алат чиј прекинувач е неисправен.** Електричниот алат кој повеќе не може да се вклучува и исклучува е опасен и мора да се поправи.
  - c) **Извлекете го штекерот од приклучокот пред извршување на било какви подесувања на апаратот, замена на приборот или складирање.** Со овие мерки на внимателност ќе се избегне невнимателното вклучување на уредот.
  - d) **Тргнете го електричниот алат кој не го користите од допирот на децата. Не допуштајте работа со уредот на лица кои не се запознаени со него или кои го немаат прочитано ова упатство.** Електричните алати се опасни доколку со нив работат неискусни лица.
  - e) **Одржувајте го уредот со внимание. Имајте контрола околу тоа дали движечките делови на уредот работат беспрекорно и дали не се заглавени, дали деловите се скршени или оштетени до таа мерка што не може да се обезбеди функционирање на уредот. Пред примената, овие оштетени делови треба да се поправат.** Причина за многу незгоди е лошо одржуваниот електричен алат.
  - f) **Алатите за сечење одржувајте ги остри и чисти.** Внимателно одржувањето алати за сечење со остри очтрици помалку ќе се заглавуваат и со нив работата ќе биде полесна.
  - g) **Електричниот алат, прибор, работни алати итн., треба да ги користите според овие упатства, и на начин кој е опишан за соодветниот тип на уред. При тоа, земете ги предвид работните услови и работата која се извршува.** Употребата на електричните алати за други цели кои не се предвидени, може да предизвика опасни ситуации.
- #### 5) СЕРВИСИРАЊЕ
- a) **Поправната на Вашиот уред препуштете им ја само на обучен, стручен надар на овластен сервисер, и само со оригиналните резервни делови.** На тој начин ќе се обезбеди уредот да остане со зачувана безбедност.

## УПАТСТВО ЗА БЕЗБЕДНА РАБОТА СО СТРУГОВИ

### ОПШТИ

- Овој алат не треба да го користат лица под 16 години
- Нивото на бучава додека работите може да изнесува повеќе од 85 dB(A); **носете заштита за ушите ④**
- Прашината од материјали како боја која содржи олово, некои видови дрво, минерали и метали, може да биде штетна за здравјето (контактот со прашина или нејзиното вдишување може да шредизвика алергии и/или болести на дишните органи за оној кој работи со алатот или луѓето во близина); **носете масна за прашина ⑤ и работете со правосмуналки доколку можете да ги поврзете**
- Некои видови на прашина се канцерогени (како на пример прашина од даб или бука), особено заедно со адитиви за одржување на дрвото; **носете масна за прашина ⑤ и работете со правосмуналки доколку можете да ги поврзете**
- Следете ги процедурите на вашата земја за прашината која се јавува како резултат од материјалите со кои работите
- SKIL може да признае гаранција само доколку е користен оригинален прибор
- Никогаш не користете алат ако кабелот е оштетен; замената на кабелот мора да ја изврши стручно лице
- **Обезбедете се алатот да е исклучен од струја пред да вршите било какво подесување или замена на приборот**

### ПРЕД УПОТРЕБА

- Секогаш проверувајте напонот да е ист со оној кој е назначен на плочката на алатот (алатите за напон од 230V или 240V исто така може да се поврзат и на напон од 220V)
- Избегнувајте оштетувања од штрафови, шајки и други предмети во местото каде работите; тргнете ги пред да почнете со работа
- Пред употреба на алатот проверете дали ножевите не се допираат никаде
- Продолжениот кабел кој го користите, мора да биде сосема одмотан и безбеден, со капацитет од 16 А
- **Користете стегачи или друг практичен начин за да го обезбедите и потпрете парчето за работа на стабилна платформа** (парчето за работа е нестабилно ако го држите парчето со рака или потпрено на телото со што може да ја загубите контролата)

### ВО ТЕНОТ НА УПОТРЕБАТА

- **Држете го алатот под напон за изолираните површини на држење бидејќи сечивото може да го пресече кабелот** (ако се пресече жица под напон, металните делови на алатот се исто така под напон и може да предизвикаат електричен шок за работникот)
- Кабелот секогаш држете го подалеку од деловите на алатот кои се движат; кабелот држете го на задната страна, на страна од алатот
- Прстите држете ги подалеку од ротирачките ножеви
- Во случај да дојде до електричен или механички дефект, веднаш исклучете го алатот и исклучете го од приклучокот

- Ако кабелот се оштети или пресече за време на работата, веднаш исклучете го и не го допирајте
- Ако дојде до заглавување на некое парченце дрво во чип аутлетот, исклучете го моторот, проверете дали сите подвижни делови се во мирување, исклучете го приклучникот и отстранете го заглавеното парченце

#### ПО УПОТРЕБА

- **Приченајте делот за сечење да сопре пред да го одложите алатот** (отворениот нож може да ја зафати површината и да доведе до губење на контролата и сериозна повреда)

#### УПОТРЕБА

- Менување/обратно местење на ножевите ⑥  
Овој струг е опремен со издржливи ножеви со острици од двете страни, така што кога една страна ќе се истапи, може да се употреби другата страна  
**! исклучете го алатот и извадете го од приклучокот**  
- земете го клучот за одвртување од лежиштето А  
- свртете го алатот наопаку  
- олабавете 3 навртки В со клучот (не ги вадете навртките)  
- извадете го ножот од блокот за сечење со парче дрво  
- вратете го ножот во блокот за сечење во обратна положба, или употребете нов нож  
**! жлебот во ножот треба да се совпаѓа со исфрлениот дел во блокот за сечење**  
**! и двата краја на ножот треба да бидат еднакво исфрлени**  
- затегнете 3 навртки В со клучот  
**! променете/заменете ги ножевите на време; користете само остри ножеви**  
**! секогаш сменете/заменете ги ножевите во исто време**  
**! не се обидувајте да ги нагодите ножевите со навртките С од делот за сечење, коишто претходно се нагодени при производството**
- Нагудување на длабочината на стружење ⑦  
- вртете го регулаторот D во правецот "+"/"-“ за зголемување/намалување на длабочината на стругање  
- користете индикатор Е како показател  
- секогаш одберете мала длабочина за стругање и повторете го стружењето и процесот на нагудување се додека не се постигне саканата длабочина
- Излез за деланки ⑧  
- поврзете ја правосмукалката со адаптер F за излезот за деланките G како што е прикажано на сликата  
**! не обидувајте се да отстранувате препреки нај излезот за деланките кога ротираат сечивата**
- Работа со алатот  
- нагодете ја длабочината на стружење  
- поставете го алатот на работната површина  
**! проверете дали само предниот дел лежи на работната површина, а ножевите не ја допираат**  
- вклучете го алатот со притискање на копчето H ②

(= сигурносно копче кое не може да се заклучи) и потоа со повлекување на прекинувачот J ②

- ! пред ножевите да ја допрат работната површина, алатот треба да работи со полна брзина**
- ! додена работите, секогаш држете го алатот за местото (местата) кое (кои) се означени со сива боја ⑨**  
- цврсто држете го алатот со двете раце и водете го напред со постојано притискање  
- користете го алатот со основата поставена на површината што се обработува  
- не го наведнувајте алатот со цел да избегнете траги од несакано стружење
- ! уредот треба да се подигне од работната површина пред тој да биде исклучен**  
- исклучете го алатот со ослободување на прекинувачот J

#### СОВЕТИ ЗА ПРИМЕНА

- За засекнување на рабовите, употребете V-жлеб во предниот чевел ⑩  
- поставете го регулаторот D на позиција "0" за заоблени рабови слични на жлеб  
- за поголемо заоблување свртете го регулаторот D за да ја изберете потребната длабочина за стругање  
**! секогаш прво испробајте на парче стар материјал**
- Многу други совети можете да најдете на [www.skil.com](http://www.skil.com)

#### ОДРЖУВАЊЕ/СЕРВИСИРАЊЕ

- Овој алат не е наменет за професионална употреба
- Алатот и кабелот секогаш да се одржуваат чисти (особено отворите за ладење L ②)  
**! пред чистење извадете го алатот од приклучокот**
- Доколку алатот и покрај внимателното работење и контрола некогаш откаже, поправката мора да ја изврши некој овластен SKIL сервис за електрични алати  
- во случај на примедба, испратете го алатот **нерасклопен**, заедно со сметкопотврдата, до вашиот продавач или најблискиот SKIL сервис (адресите се наведени на [www.skil.com](http://www.skil.com))

#### ЗАШТИТА НА ЖИВОТНАТА СРЕДИНА

- **Не се ослободувајте од електрични алати, уреди или амбалажа пренуивно фрлање во домашното губре** (само за земјите на ЕУ)  
- според Европската Директива 2002/96/EC за ослободување од електрична и електронска опрема и нејзина имплементација во согласност со националните закони, електричните алати кои го достигнале крајот на својот животен век мора да бидат собрани посебно и да бидат вратени во соодветен објект за рециклирање  
- симболот ⑪ ќе ве потсетува на ова кога ќе дојде време алатот да го фрлите

# ДЕКЛАРАЦИЈА ЗА УСОГЛАСЕНОСТ

CE

- Со целосната наша одговорност изјавуваме дека овој производ е во согласност со следниве стандарди или стандардизирани документи: EN 60745, EN 61000, EN 55014, во согласност со одредбите од директивите 2004/108/EG, 2006/42/EG, 2011/65/EU
- **Техничко досије во:** SKIL Europe BV (PT-SEU/ENG1), 4825 BD Breda, NL

Marijn van der Hoofden  
Operations & Engineering

Olaf Dijkgraaf  
Approvals Manager

SKIL Europe BV, 4825 BD Breda, NL

27.06.2013

## БУЧАВА/ВИБРАЦИИ

- Мерено во согласност со EN 60745 нивото на звучен притисок е 90 dB(A) а нивото на звучна моќност 101 dB(A) (стандардно отстапување: 3 dB), и вибрација 5,1 m/c<sup>2</sup> (hand-arm метода; несигурност K = 1.5 m/c<sup>2</sup>)
  - Нивото на емитурање на вибрации кое е наведено на задниот дел на ова упатство е измерено во согласност со стандардизираниот тест даден во EN 60745; може да се користи за да се спореди еден алат со друг, и како првична оценка за изложеноста на вибрации кога се користи алатот за споменатите примени
  - користењето на алатот за разни примени, или со различни или неправилно чувани делови, може да доведе до значајно **зголемување** на нивото на изложеност
  - кога алатот е исклучен или кога алатот е вклучен но не врши некаква работа, може да дојде до значително **намалување** на нивото а изложеност
- ! заштитете се од ефектите на вибрациите преку одржување на алатот и неговите делови, одржување на топлината во вашите раце, и организирање на вашата работа**

AL

Zdrukthi

1558

## HYRJJE

- Kjo vegël është e projektuar për zdrukthimin e materialeve të drurit si binarë ose dërrasa; po ashtu është e përshtatshme për hapjen e kanaleve anësore
- Kjo vegël nuk është e projektuar për përdorim profesional
- Lexoni dhe ruani këtë manual të përdorimit ③

## TË DHËNAT TEKNIKE ①

### ELEMENTET E PAJISJES ②

- A Vendi i ruajtjes së çelësit
- B Buloni i sigurisë
- C Vidat e bllokut të prerjes

- D Doreza për caktimin e thellësisë së zdrukthimit
- E Treguesi i thellësisë së zdrukthimit
- F Përshtatësi i fshesës me korrent
- G Dalja e ashklave
- H Çelësi i sigurisë
- J Çelësi i ndezjes/fikjes
- K Kanali V
- L Të çarut e ajrosjes

## SIGURIA

### UDHËZIMET E PËRGJITHSHME PËR SIGURINË

**⚠ PARALAJMËRIM! Lexoni të gjitha paralajmërimet e sigurisë dhe të gjitha udhëzimet.** Mosrespektimi i paralajmërimeve dhe udhëzimeve mund të rezultojë në goditje elektrike, zjarr dhe/ose dëmtime të rënda. **Ruani të gjitha paralajmërimet dhe udhëzimet për referencë në të ardhmen.** Termi "pajisje elektrike" në paralajmërimet i referohet pajisjes elektrike që përdoret nga priza (me kablo) ose pajisjes elektrike me bateri (pa kablo).

### 1) SIGURIA E ZONËS SË PUNËS

- a) **Mbajeni zonën e punës të pastër dhe të ndriçuar mirë.** Zonat e çrregullta ose të errëta janë një ftesë për aksidente.
- b) **Mos i përdorni pajisjet elektrike në situata me mundësi shpërthimi, si në prani të lëngjeve, gazeve ose pluhurave të djegshëm.** Pajisjet elektrike shkaktojnë shkëndija që mund të ndezin pluhurat ose avujt.
- c) **Mbajini fëmijët dhe personat e tjerë larg gjatë përdorimit të veglës së punës.** Tërheqja e vëmendjes mund të shkaktojë humbjen e kontrollit.

### 2) SIGURIA ELEKTRIKE

- a) **Spinat e veglës së punës duhet të përputhen me prizën. Mos modifikoni kurrë spinën në asnjë mënyrë. Mos përdorni asnjë spinë përshtatëse me veglat e punës me tokëzim.** Spinat e pamodifikuara dhe prizat përshtatëse do të zvogëlojnë rrezikun e goditjes elektrike.
- b) **Shmangni kontaktin trupor me sipërfaqe të tokëzuara si tuba, radiatorë, soba dhe frigoriferë.** Ka një rrezik më të madh të goditjeve elektrike nëse trupi është i tokëzuar.
- c) **Mos ekspozoni veglat e punës në shi ose në kushte me lagështi.** Uji që hyn në veglën e punës do të rritë rrezikun e goditjes elektrike.
- d) **Mos abuzoni me kordonin. Mos e përdorni kurrë kordonin për transportin, tërheqjen ose heqjen e spinës së veglës së punës. Mbajeni kordonin larg nga nxehtësia, vaji, anët e mprehta ose pjesët që lëvizin.** Kordonët e dëmtuar ose e bllokuar rrisin rrezikun e goditjes elektrike.
- e) **Kur përdorni një vegël pune në mjedise të jashtme, përdorni një kordon zgjatues të përshtatshëm për përdorim në mjedise të jashtme.** Përdorimi i një kordonit të përshtatshëm për përdorime në mjedise të jashtme zvogëlon rrezikun e goditjes elektrike.
- f) **Nëse përdorimi i veglës së punës në një vend me lagështi është i pashmangshëm, përdorni një automat qarku me shkarkesë me tokëzim.** Përdorimi i një automati me shkarkesë me tokëzim zvogëlon rrezikun e goditjes elektrike.

### 3) SIGURIA PERSONALE

- a) **Qëndroni në gatishmëri, shikoni se çfarë po bëni dhe përdorni gjykimin kur përdorni një vegël pune. Mos e përdorni një vegël pune kur jeni i lodhur ose nën ndikimin e ilaçeve, alkoolit ose mjekimit.** Një moment humbje e vëmendjes gjatë përdorimit të veglave të punës mund të shkaktojë dëmtime të rënda personale.
- b) **Përdorni pajisje personale mbrojtëse. Mbani gjithmonë pajisje për mbrojtjen e syve.** Pajisjet mbrojtëse si maska kundër pluhurit, këpucët që nuk rrëshqasin, kaskat ose pajisjet për mbrojtjen e veshëve për kushtet përkatëse do të zvogëlojnë dëmtimet personale.
- c) **Parandaloni ndezjen e rastësishme. Sigurohuni që çelësi është në pozicionin fikur para se të lidhni burimin e energjisë dhe/ose baterinë, para se të merrni ose të transportoni pajisjen.** Transportimi i veglave të punës me gishtin në çelës ose aktivizimi i veglave të punës që kanë çelësin të ndezur është një ftesë për aksidente.
- d) **Hiqni çdo çelës ose çelës përshtatës para ndezjes së veglës së punës.** Një çelës i lënë i lidhur me një pjesë rrotulluese të veglës së punës mund të shkaktojë dëmtime personale.
- e) **Mos u zgjasni. Mbani një vendosje të mirë të këmbëve dhe një ekuilibër të mirë në çdo moment.** Kjo gjë bën të mundur një kontroll më të mirë të veglës së punës në situata të papritura.
- f) **Vishuni në mënyrën e duhur. Mos vishni veshje të gjera ose bizhuteri. Mbani flokët, veshjet dhe dorashkat larg nga pjesët lëvizëse.** Veshjet e gjera, bizhuteritë ose flokët e gjatë mund të kapen nga pjesët në lëvizje.
- g) **Nëse janë ofruar pajisje për lidhjen e pajisjeve të mbledhjes dhe nxjerrjes së pluhurave, sigurohuni që ato të jenë të lidhura dhe të përdoren si duhet.** Përdorimi i mbledhjes së pluhurave mund të zvogëlojë rreziqet në lidhje me pluhurat.
- 4) **PËRDORIMI DHE KUJDESI PËR VEGLËN E PUNËS**
- a) **Mos ushtroni forcë mbi veglën e punës. Përdorni veglën e punës të duhur për përdorimin tuaj.** Vegla e punës e duhur do të realizojë një punë më të mirë dhe më të sigurt dhe me shpejtësinë që ajo është e projektuar.
- b) **Mos përdorni veglën e punës nëse çelësi nuk e ndez apo e fik.** Çdo vegël pune që nuk mund të kontrollohet me anë të çelësit është e rrezikshme dhe duhet të riparohet.
- c) **Shkëputni spinën nga burimi i energjisë dhe/ose baterinë nga vegla e punës para se të bëni rregullime të tjera, të ndryshoni aksesorët ose të ruani veglat e punës.** Këto masa parandaluese të sigurisë ulin rrezikun e ndezjes aksidentale të veglës së punës.
- d) **Mbani veglat e punës larg fëmijëve dhe mos lejoni personat e pamësuar me veglën e punës ose këto udhëzime për përdorimin e pajisjes.** Veglat e punës janë të rrezikshme në duart e përdoruesve të patrajnuar.
- e) **Mirëmbani veglat e punës. Kontrolloni për mospërshtatje ose bllokim të pjesëve lëvizëse, thyerje të pjesëve dhe gjendje të tjera që mund të ndikojnë në funksionimin e veglës së punës.**

**Nëse dëmtohet, riparoheni veglën e punës para përdorimit.** Shumë aksidente shkaktohen nga veglat e punës jo të mirëmbajtura si duhet.

- f) **Mbajini pajisjet prerëse të pastra dhe të mprehta.** Pajisjet e prerjes të mirëmbajtura dhe me anë të mprehta kanë më pak mundësi për t'u bllokuar dhe janë më të lehta për t'u kontrolluar.
- g) **Përdorni veglat e punës, aksesorët dhe puntot, etj. në përputhje me këto udhëzime, duke marrë parasysh kushtet e punës dhe punën që do të kryhet.** Përdorimi i veglave për përdorime të ndryshme nga ato të përcaktuara mund të shkaktojë rreziqe.
- 5) **SHËRBIMI**
- a) **Shërbimi i veglës së punës duhet të kryhet nga një person i kualifikuar për riparimet duke përdorur vetëm pjesë ndërrimi identike.** Kjo gjë do të sigurojë ruajtjen e sigurisë së veglave të punës.

### UDHËZIMET E SIGURISË PËR ZDRUKTHËT

#### TË PËRGJITHSHME

- Kjo pajisje nuk duhet të përdoret nga personat nën moshën 16 vjeç
- Niveli i zhurmës gjatë punës mund të kalojë 85 dB(A); **mbani pajisje për mbrojtjen e veshëve** ④
- Pluhurat nga materialet si boja me plumb, disa lloje drurësh, mineralet dhe metalesh mund të jenë të dëmshme (kontakti ose thithja e pluhurave mund të shkaktojë reagime alergjike dhe/ose sëmundje respiratore për përdoruesin ose personat përreth); **mbani një maskë për pluhurat** ⑤ **dhe punoni me një pajisje për heqjen e pluhurave kur mund të lidhet**
- Disa lloje pluhurash kanë klasifikuar si kancerogjene (si pluhuri i lisit dhe i ahut) veçanërisht në ndërthurje me lëndët shtesë për kondicionimin e drurit; **mbani një maskë për pluhurat** ⑤ **dhe punoni me një pajisje për heqjen e pluhurave kur mund të lidhet**
- Respektoni kërkesat kombëtare në lidhje me pluhurat për materialet me të cilat dëshironi të punoni
- SKIL mund të garantojë funksionimin pa probleme të veglës vetëm kur përdoren aksesorët origjinalë
- Mos e përdorni kurrë veglën kur kordoni është i dëmtuar; zëvendësojeni nga një person i kualifikuar
- **Shkëputni gjithmonë spinën nga burimi i energjisë para kryerjes së rregullimeve ose ndryshimeve të aksesorëve**

#### PARA PËRDORIMIT

- Kontrolli gjithmonë që voltazhi i energjisë të jetë i njëjtë si voltazhi që tregohet në etiketën e veglës (veglat me klasifikimin 230 V ose 240 V mund të lidhen po ashtu me një burim 220 V)
- Shmangni dëmtimet që mund të shkaktohen nga vidat, gozhdët dhe elementet e tjera në materialin e punës; hiqni ato para se të filloni punën
- Para përdorimit të veglës, kontrolloni që thikat të mos fërkohen
- Përdorni kordon të pahapur dhe të sigurt për zgjatime, me një kapacitet 16 amper
- **Përdorni morsa ose mënyra të tjera praktike për të siguruar dhe mbështetur materialin e punës në një platformë të qëndrueshme** (mbajtja e materialit me duar ose të mbështetur në trup bën që materiali të mbetet i paqëndrueshëm ose mund të shkaktojë humbje të kontrollit)

## GJATË PËRDORIMIT

- **Mbajeni veglën e punës nga pjesët e izoluarat të kapjes pasi prerësi mund të bjerë në kontakt me kordonin e tij** (prerja e një teli me elektricitet mund të bëjë që pjesët metalike të ekspozuara të përcjellin elektricitetin dhe të shkaktojnë goditjen elektrike të përdoruesit)
- Mbajeni gjithmonë kordonin larg nga pjesët e lëvizshme të veglës; drejtojeni kordonin në anën e pasme, larg nga vegla
- Mbajini gishtat larg nga thikat rrotulluese
- Në rast të një defekti elektrik ose mekanik, fikni menjëherë pajisjen dhe hiqni spinën
- Nëse kordoni dëmtohet ose pritet gjatë punës, mos e prekni kordonin por hiqni menjëherë spinën
- Nëse ashklat bllokohen në daljen e ashklave, duhet të fikni motorin, sigurohuni që të gjitha pjesët e lëvizshme kanë ndaluar plotësisht, hiqni spinën dhe më pas hiqni ashklat e bllokuar

## PAS PËRDORIMIT

- **Prisni që blloku i prerjes të ndalojë para se ta ulni veglën** (thika e ekspozuar mund të bjerë në kontakt me sipërfaqen duke shkaktuar humbje të kontrollit dhe dëmtime të rënda)

## PËRDORIMI

- Ndërrimi/kthimi i thikave ⑥  
Ky zdrukth është i pajisur me thika jo të mprehshme me tehe prerëse në të dy krahët; kështu që nëse topitet një krah, mund të përdoret krahu tjetër  
**! fikni pajisjen dhe hiqni spinën**  
- merrni çelësin nga vendi i ruajtjes A  
- kthejeni veglën përmbyës  
- lironi 3 bulona B me çelës (mos i hiqni bulonat)  
- shtyjeni thikën nga blloku i prerjes me anë të një cope druri  
- vendoseni përsëri thikën në bllokun e prerjes në pozicionin e kundërt ose përdorni një thikë të re  
**! kanali i thikës duhet të përputhet me buzën e bllokut të prerjes**  
**! të dyja anët e thikës duhet të dalin në mënyrë të barabartë**  
- shtrëngoni mirë 3 bulonat B me çelës  
**! ndërrojini/kthejini thikat me kalimin e kohës; përdorni vetëm thika të mprehta**  
**! ndërrojini/kthejini gjithmonë të dyja thikat në të njëjtën kohë**  
**! mos u përpiqni të rregulloni thikat me vidat e bllokut të prerjes C, të cilat janë të caktuara paraprakisht në momentin e prodhimit**
- Rregullimi i thellësisë së zdrukthimit ⑦  
- kthejeni dorezën D në drejtimin "+", "-" për rritjen/uljen e thellësisë së zdrukthimit  
- përdorni treguesin E si referencë  
- zgjidhni gjithmonë një thellësi të vogël të zdrukthimit dhe përsëritni zdrukthimin dhe procesin e rregullimit deri sa të arrihi thellësinë e dëshiruar
- Dalja e ashklave ⑧  
- lidhni fshesën me korrent me përshtatësin F në daljen e ashklave G si në ilustrim  
**! mos u përpiqni të hiqni pengesat nga dalja e ashklave kur thikat janë duke u rrotulluar**
- Funksionimi i veglës

- rregulloni thellësinë e zdrukthimit
- vendoseni veglën mbi materialin e punës  
**! sigurohuni që vetëm nofulla e përparme të mbështetet në materialin e punës dhe që thikat mos ta prekin**
- ndizni veglën duke shtypur në fillim çelësin H ② (= çelësin e sigurisë që nuk mund të bllokohet) dhe më pas tërhiqni çelësin e aktivizimit J ②  
**! para se thikat të arrijnë te materiali i punës, vegla duhet të punojë me shpejtësinë e saj të plotë**
- ! gjatë punës, mbajeni gjithmonë veglën në zonën(at) e dorezës me ngjyrë gri ⑨**
- mbajeni veglën fort me të dyja duart dhe shtyjeni përpara me goditje të vazhdueshme
- përdoreni veglën me pllakën e bazës mbi material
- mos e anoni veglën për të shmangur shenja të padëshirueshme gjatë zdrukthimit  
**! para se ta fikni veglën, ju duhet ta ngrini atë nga materiali i punës**
- fikeni veglën duke lëshuar çelësin J

## KËSHILLË PËR PËRDORIMIN

- Për kanale anësore përdorni kanalën V në nofullën e përparme ⑩  
- vendoseni dorezën D në pozicionin "0" për hapjen e kanaleve anësore të ngjashëm me kanalën
- për kanale më të mëdha, rrotulloni dorezën D për të zgjedhur thellësinë e dëshiruar të zdrukthimit  
**! gjithmonë provojeni në fillim në një material të padobishëm**
- Për më shumë këshilla, vizitoni [www.skil.com](http://www.skil.com)

## MIRËMBAJTJA / SHËRBIMI

- Kjo vegël nuk është e projektuar për përdorim profesional
- Mbajeni gjithmonë veglën dhe kordonin të pastër (veçanërisht të çarat e ajrosjes L ②)  
**! shkëputni spinën para pastrimit**
- Nëse pajisja ka defekt pavarësisht kujdesit në prodhim dhe procedurat e provave, riparimi duhet të kryhet nga një qendër e shërbimit pas shitjes për veglat e punës të SKIL  
- dërgoni veglën të çmontuar së bashku me vërtetimin e blerjes te shitësi ose te qendra më e afërt e shërbimit e SKIL (adresat si dhe diagrami i shërbimit i veglës janë të paraqitura në [www.skil.com](http://www.skil.com))

## MJEDISI

- **Mos i hidhni veglat elektrike, aksesorët dhe paketimin së bashku me materialet e mbeturinave familjare** (vetëm për vendet e BE-së)  
- në respektim të Direktivës evropiane 2002/96/EC për pajisjet elektrike dhe elektronike si s'mbetje dhe zbatimin e saj në përputhje me ligjet kombëtare, pajisjet elektrike që kanë arritur në fund të jetëgjatësisë së tyre duhet të mblidhen të ndara dhe të kthehen në një objekt riciklimi në përputhje me mjedisin.  
- simboli ① do t'ju kujtojë për këtë gjë kur të jetë nevoja për t'i hedhur

## DEKLARATA E KONFORMITETIT CE

- Ne deklarojmë me përgjegjësinë tonë të vetme se ky produkt është në përputhje me standardet dhe dokumentet e standardizuara si më poshtë: EN 60745, EN 61000, EN 55014 në përputhje me dispozitat e direktivave 2004/108/EC, 2006/42/EC, 2011/65/EU
- **Dosja teknike në:** SKIL Europe BV (PT-SEU/ENG1), 4825 BD Breda, Holandë

Marijn van der Hoofden  
Operations & Engineering

Olaf Dijkgraaf  
Approvals Manager



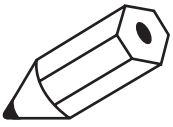
SKIL Europe BV, 4825 BD Breda, NL

27.06.2013

### ZHURMA/VIBRIMI

- E matur në përputhje me EN 60745, niveli i trysnisë së tingullit i kësaj pajisje është 90 dB(A) dhe niveli i fuqisë së tingullit 101 dB(A) (shmangia standarde: 3 dB) dhe vibrimi  $5,1 \text{ m/s}^2$  (metoda e krahut-dorës; pasiguria K =  $1,5 \text{ m/s}^2$ )
- Niveli i emetimit të vibrimit është matur në përputhje me një provë të standardizuar të dhënë në EN 60745; ajo mund të përdoret për të krahasuar një vegël me një tjetër dhe si një vlerësim paraprak i ekspozimit ndaj vibrimit kur përdorni pajisjen për proceset e përmendura
  - përdorimi i pajisjes për procese të ndryshme, ose me aksesorë të ndryshëm dhe të mirëmbajtur keq, mund të rritë ndjeshëm nivelin e ekspozimit
  - kohët kur pajisja është e fikur dhe kur është e ndezur por jo në punë, mund të zvogëlojnë ndjeshëm nivelin e ekspozimit

**! mbronni veten nga efektet e vibrimit duke mirëmbajtur pajisjen dhe aksesorët e saj, duke i mbajtur duart e ngrohta dhe duke organizuar mënyrën tuaj të punës**



معرفی شده است اندازه گیری گردید: از این ارقام می توان برای مقایسه یک ابزار با دیگری و بعنوان ارزیابی اولیه در معرض قرارگیری ارتعاشات هنگام کار با ابزار در کاربری های فوق استفاده کرد

- استفاده کردن از ابزار برای کاربردهای متفاوت. یا با لوازم و متعلقات متفاوتترقه یا لوازم و متعلقاتی که بد نگهداری شده اند. می تواند میزان در معرض قرارگیری را بطور قابل ملاحظه ای افزایش دهد
  - مواقعی که ابزار خاموش است یا روشن است ولی کاری با آن انجام نمی شود. میزان در معرض قرارگیری بطور قابل توجهی کاهش می یابد
- ! با نگهداری مناسب از ابزار و لوازم و متعلقات آن، گرم نگهداشتن دست های خود. و سازمان دهی طرح های کاری می توانید خود را در برابر اثرات ارتعاش محافظت کنید**

ابزار را روشن کرده و سپس استارت ل (F) را بکشید  
**! ابزار باید پیش از اینکه تیغه ها به قطعه کاری برسند. به دور کامل خود رسیده باشد**

**! هنگام کار باید همیشه ابزار را از دستگیره (های) خاکستری رنگ بگیرید**

- (A) ابزار را محکم با هر دو دست گرفته و با حرکت های پیوسته آنرا به جلو هدایت کنید
- از ابزار طوری استفاده کنید که صفحه زیرین آن روی قطعه کاری قرار گیرد
- برای جلوگیری از ایجاد ردهای ناخواسته رنده. هرگز ابزار را کج نکند
- ! ابزار را باید قبل از خاموش کردن از روی قطعه کاری برداشت**
- با رها کردن استارت ل ابزار را خاموش کنید

### توصیه های کاربردی

- برای پخ زدن لبه ها از شماره ۷-شکل در کفشک جلو استفاده کنید (I)
- برای پخ زدن لبه ها مشابه شماره انتخاب شده. کلید گردان D را روی وضعیت "۰" قرار دهید
- برای شماره های بزرگ تر. کلید گردان D را برای انتخاب عمق رنده کاری مورد نیاز بچرخانید
- ! همیشه اول روی یک تکه بدرندخور آزمایش کنید**
- برای نکات بیشتر به [com.skil.www](http://com.skil.www) مراجعه کنید

### نگهداری / سرویس- خدمات

- این ابزار برای مصارف حرفه ای مناسب نیست
- همیشه ابزار و سیم برق را تمیز نگهدارید (بخصوص شماره های تهویه L (F))
- ! پیش از تمیز کردن سیم برق را از برق بکشید**
- اگر ابزار علیترجم تمام دفت و مراقبتی که در فرایندهای تولید و تست بکار برده شده از کار افتاد. تعمیرات باید فقط در مراکز خدمات پس از فروش ابزارهای برقی SKIL انجام شود
- ابزار را بصورت باز نشده همراه با رسید خرید به فروشنده یا نزدیک ترین مرکز خدمات ریسانی SKIL بفرستید (آدرسها به همراه نمودارنشسته های سرویس ابزار در [com.skil.www](http://com.skil.www) موجود است)

### محیط زیست

- ابزارهای برقی، لوازم و متعلقات و بسته بندی آنها را نباید همراه با زباله های عادی خانگی دور انداخت (فقط مخصوص کشورهای عضو اتحادیه اروپا)
- با توجه به مصوبه اروپایی ۲۰۰۲/۹۱/EC اروپا درباره لوازم برقی و الکترونیکی مستعمل و اجرای این مصوبه مطابق با قوانین کشوری. ابزارهای برقی که به پایان عمر مفید خود رسیده اند باید جداگانه جمع آوری شده و به یک مرکز بازیافت مناسب و سازگار با محیط زیست انتقال یابند
- نمادعلامت (1) یادآور این مسئله در هنگام دور انداختن است

### اعلامیه مبنی بر رعایت استاندارد CE

- ما بر اساس مسئولیت انحصاری خود اعلام می نمایم که این محصول با استانداردها یا مستندات استاندارد شده زیر سازگاری و تطابق دارد: EN 1۰۷۴۵, EN 1۱۰۰۰, EN ۵۵۰۱۴, مطابق با مفاد مصوبات ۲۰۰۴/۱۰/۸۲/EC, ۲۰۰۱/۱۴/EC, EN ۱۶۰۲۰ (۲۰۱۱/۱۵/EN)
- پرونده فنی در: SKIL Europe BV (PT-SEU/ENG), ۸۲۵, Breda BD, NL

Marijn van der Hoofden Olaf Dijkgraaf  
Operations & Engineering Approvals Manager

SKIL Europe BV, 4825 BD Breda, NL  
27.06.2013

### صداءارتعاشات

- اندازه گیری ها بر اساس استاندارد EN 1۰۷۴۵ انجام و مشخص شد که میزان فشار صوتی این ابزار ۹۰ دسی بل و میزان توان صوتی آن ۱۰۱ دسی بل (با انحراف استاندارد: ۳ دسی بل) و میزان ارتعاشات ۵,۱ متر/مجدور ثانیه می باشد (ثبویه دست-باز، عدم قطعیت K = ۱,۵ متر/مجدور ثانیه)
- میزان انتشار ارتعاشات بر اساس تست استاندارد شده ای که در EN 1۰۷۴۵



خ) در صورتیکه می توانید وسایل مکش گرد و غبار و یا وسیله جذب زائده را به دستگاه نصب کنید. باید مطمئن شوید که این وسایل نصب و درست استفاده می شوند. استفاده از وسایل مکش گرد و غبار مصونیت شما را در برابر گرد و غبار زیاد تر می کند.

۴) از وارد کردن فشار زیاد روی دستگاه خود داری کنید. برای هر کاری، از ابزار

الکتریکی مناسب با آن استفاده کنید. بکار گرفتن ابزار الکتریکی مناسب باعث می شود که بتوانید از توان دستگاه بهتر و با اطمینان بیشتر استفاده کنید.

ب) در صورت ایراد در کلید قطع و وصل ابزار برقی، از دستگاه استفاده نکنید. ابزار الکتریکی که نمی توان آنها را قطع و وصل کرد، خطرناک بوده و باید تعمیر شوند.

ت) قبل از تنظیم ابزار الکتریکی، تعویض متعلقات و یا کنار گذاشتن آن، دوشاخه را از برق کشیده و یا پلتری آنرا خارج کنید. رعایت این اقدامات پیشگیری ایمنی از راه افتادن ناخواسته ابزار الکتریکی جلوگیری می کند.

ث) ابزار الکتریکی را در صورت عدم استفاده، از دسترس کودکان دور نگهدارید. اجازه ندهید که افراد نا وارد و یا اشخاصی که این دفترچه راهنما را نخوانده اند، با این دستگاه کار کنند. قرار گرفتن ابزار الکتریکی در دست افراد ناوارد و بی تجربه خطرناک است.

ج) از ابزار الکتریکی خوب مراقبت کنید. مواظب باشید که قسمت های متحرک دستگاه خوب کار کرده و گیر نکنند همچنین دقت کنید که قطعات ابزار الکتریکی شکسته و یا آسیب دیده نباشند. قطعات آسیب دیده را قبل از شروع به کار تعمیر کنید. علت بسیاری از سوانح کاری، عدم مراقبت کامل از ابزارهای الکتریکی می باشد.

ح) ابزار برش را تیز و تمیز نگهدارید. ابزار برشی که خوب مراقبت شده و از لبه های تیز برخوردارند، کمتر در قطعه کار گیر کرده و بهتر قابل هدایت می باشند.

خ) ابزارهای الکتریکی، متعلقات، ابزار که روی دستگاه نصب می شوند و غیره را مطابق دستورات این جزوه راهنما طوری به کار بگیرید که با مدل این دستگاه تناسب داشته باشند. همچنین به شرایط کاری و نوع کار توجه کنید. کاربرد ابزار برقی برای موارد کاری که برای آن در نظر گرفته نشده است، میتواند شرایط خطرناکی را منجر شود.

۵) سرویس

ا) برای تعمیر ابزار الکتریکی فقط به متخصصین حرفه ای رجوع کرده و از وسایل یدکی اصل استفاده کنید. این باعث خواهد شد که ایمنی دستگاه شما تضمین گردد.

هشدارهای ایمنی برای دستگاه های رنده

عمومی

- افراد کمتر از ۱۶ سال نباید با این دستگاه کار کنند
- میزان صدا در هنگام کار میتواند به ۸۵ دسیبل برسد؛ از محافظ گوش استفاده کنید

۴) گرد و خاکی که از موادی مانند رنگ های حاوی سرب، برخی گونه های چوب، مواد معدنی و فلزات بلند می شود می تواند خطرناک باشد (عاس با این گرد و خاکها و یا تنفس آنها می تواند در کاربرد ابزار یا افراد نزدیک به محل کار واکنش های حساسیتی و/یا بیماری های تنفسی ایجاد کند)؛ یک ماسک مخصوص گرد و خاک بزنید (۵) و در صورت امکان از یک وسیله مکش گرد و خاک استفاده کنید

- برخی از گرد و خاکها (مانند گرد و خاکی که از چوب بلوط یا راش بلند می شود) علی الخصوص در مجاورت افزودنی های مخصوص چوب سرطان زا هستند؛ یک ماسک مخصوص گرد و خاک بزنید (۵) و در صورت امکان از یک وسیله مکش گرد و خاک استفاده کنید

- از مقررات ملی مربوط به گرد و خاک موادی که می خواهید با آنها کار کنید پیروی نمایید
- SKIL در صورتی که از متعلقات اصلی استفاده کنید عملکرد بدون مشکل ابزار را تضمین می نماید
- وقتی که سیم برق ابزار آسیب دیده هرگز از آن استفاده نکنید و از یک فرد متخصص بخواهید آنرا برای شما عوض کند
- قبل از هرگونه تنظیم یا تعویض کردن لوازم و ملحمتعلقات حتماً باید سیم برق دستگاه را از پریز بکشید

پیش از استفاده

- همیشه مطمئن شوید که ولتاژ ورودی دستگاه برابر ولتاژ باشد که روی پلاک دستگاه نوشته شده است (ابزارهایی که ولتاژ ورودی آنها ۲۳۰ تا ۲۴۰ ولت مشخص شده است می توانند با برق ۲۲۰ ولت هم کار کنند )

- پیچ ها، میخ ها و سایر اجزا دیگری می توانند به قطعه کاری شما آسیب بزنند؛ بنابراین پیش از شروع کار آنها را بردارید
- قبل از کار با ابزار دقت کنید که تیغه ها یا هیچ کجا تماس نداشته باشند
- سیم های رابط برق باید کاملاً باز شده و ایمن باشند. از سیم هایی با رده بندی ۱۶ آمپر
- از گیره یا هر روش عملی و مطمئن دیگر برای محکم کردن قطعه کار روی یک سطح پایدار استفاده کنید (اگر قطعه کار را با دست نگه دارید یا به بدن خود تکیه دهید، امکان دارد کنترل کار را از دست بدهید)

در حین استفاده

- حتماً باید ابزار را از جای دستهای مخصوص عایق آن بگیرید. چون امکان دارد قسمت برش با سیم خود ابزار تماس پیدا کند (بریدن سیم های "برق دار" می تواند در بخشهای فلزی دستگاه نیز جریان "برق" تولید کرده و در اپراتور برق گرفتگی ایجاد کند)
- همیشه سیم برق را از بخشهای متحرک ابزار دور بگیرید؛ سیم را به سمت پشت، و دور از ابزار بگیرید
- انگشتان خود را از تیغه های گردان دور نگهدارید
- در صورت بروز اشکالات برقی یا مکانیکی، فوراً ابزار را خاموش کرده و سیم برق آنرا از پریز بکشید
- اگر سیم برق آسیب دیده یا بریده شده باشد، هرگز به سیم دست نزنید، اما فوراً آنرا از پریز بکشید
- اگر تراشه چوبی در خروجی تراشه های چوب گیر کند، باید موتور را خاموش کرده، مطمئن شوید که کلیه اجزاء و بخشهای متحرک از حرکت ایستاده باشند.
- دوشاخه را کشیده و، تراشه گیر کرده را خارج کنید

بعد از استفاده

- قبل از اینکه کار با ابزار را تمام کنید منظر را بررسی کنید که بلوک برنده متوقف شود (تیغه هایی که باز و آشکار هستند ممکن است با سطوح دیگر تماس داشته باشند. ابزار از کنترل خارج شده و جراحات های خطرناک ایجاد کند)

استفاده

- عوض/پشت و رو کردن تیغه ها ①  
این رنده دارای تیغه های ضد سائیدگی است که در هر دو سمت خود لبه های برنده دارند؛ بنابراین اگر یک سمت کند شده باشد می توانید از سمت دیگر استفاده کنید

! ابزار را خاموش کرده و دوشاخه را بکشید

- آچار را محفظه نگهداری بردارید A

- ابزار را وارونه کنید

- با آچار ۳ پیچ B را شل کنید (پیچ ها با بیرون نیاورید)

- با یک تکه چوب تیغه را از بلوک برنده بیرون بکشید

- تیغه را در وضعیت معکوس در بلوک برنده قرار دهید. از یک تیغه جدید استفاده کنید

! شیارهای تیغه باید با لبه بلوک برنده همخوانی داشته باشند

! هر دو سر تیغه باید به یک اندازه جلو آمده باشند

! تیغه ها را با آچار ۳ پیچ B را سفت کنید

! تیغه ها را به موقع عوض/پشت و رو کنید؛ فقط از تیغه های تیز استفاده کنید

! همیشه رنده تیغه را همزمان عوض/پشت و رو کنید

! سعی نکنید تیغه ها را با پیچ های بلوک برنده C، که در کارخانه تنظیم شده اند تنظیم کنید

• تنظیم زیاد رنده کاری(۷)

- برای زیاد/کم کردن عمق رنده کاری، کلیه گردان D را در جهت "++"/"-/-" بچرخانید

- نشانگر E بعنوان مرجع استفاده کنید

- همیشه رنده کاری را با عمق کم شروع کرده و رنده زن را تکرار کنید و عمق آنرا تدریجاً زیاد کنید تا به عمق دخواه دست یابید

• خروجی خرده چوب (A)

- جازوبرقی یا مبدل F را مطابق شکل به خروجی خرده چوب G وصل کنید

! هرگز موقعی که تیغه ها در حال چرخیدن هستند سعی نکنید مانعی را از خروجی خرده چوب بیرون بیاورید

• کار کردن با ابزار

- عمق رنده کاری را تنظیم کنید

- ابزار را روی قطعه کاری قرار دهید

! دقت کنید که فقط کشش جلویی روی قطعه کاری قرار بگیرد و تیغه ها با آن تماس نداشته باشند

- ابتدا با فشار دادن کلید گردان H (۸) = سوئیچ ایمنی که نمی تواند قفل شود)

## اعلان توافق

• اینا نعلن خت مسؤولیتونا وحدنا ان هذا المنتج مطابق للمعايير التالية أو الوثائق القياسية: EN 10745, EN 11000, EN 10145, وفقاً لأحكام توجيهات 1107/2004/EC, EN 10745/2011, EN 10145/2011  
• الملف الفني على: SKIL Europe BV (PT-SEU/ENG), 4825 Breda BD NL

Marijn van der Hoofden Olaf Dijkgraaf  
Operations & Engineering Approvals Manager

SKIL Europe BV, 4825 BD Breda, NL  
27.06.2013

### الضوضاء/الاهتزاز:

- عند القياس بالتوافق مع EN 10745 يكون مستوى ضغط صوت هذه الآداة 90 ديسيبل (و) ومستوى طاقة الصوت 1-1 ديسيبل (أ) الانحراف المعياري: 3 ديسيبل، والاهتزاز 0,1 م/ث<sup>2</sup> (طريقة اهتزاز البند: K غير موكد = 1,5 م/ث<sup>2</sup>)
- تم قياس مستوى الاهتزازات بالتوافق مع الاختيار المعياري المحدد في EN 10745. يمكن استخدامه لمقارنة أداة بأداة أخرى وكتقييم تهيدي للتعرض للاهتزاز عند استخدام الآداة في التطبيقات الموضحة:
- قد يؤدي استخدام الآداة في تطبيقات مختلفة أو مع ملحقات مختلفة أو ذات صيانة رديئة إلى زيادة مستوى التعرض بصورة كبيرة:
- إن الفترة الزمنية التي يتم خلالها إيقاف تشغيل الآداة أو عندما تكون قيد التشغيل لكنها لا تؤدي أية مهام تؤدي إلى تقليل مستوى التعرض بصورة كبيرة:
- ! قم بحماية نفسك من تأثيرات الاهتزاز من خلال صيانة الآداة وملحقاتها، والحفاظ على يدك دافئتين وتنظيم أعصاب العمل لديك:

FA

### دستگاه رنده

1558

### مقدمه

- این دستگاه برای رنده کاری قطعات چوبی مانند تیرها و ختخه ها طراحی شده است؛ همچنین برای پخ زدن لیمه ها مناسب می باشد
- این ابزار برای مصارف حرفه ای مناسب نیست
- لطفاً این دفترچه راهنما را مطالعه کرده و نگهدارید (۳)

### مشخصات فنی (۱)

### اجزای ابزار (۲)

- A محل نگهداری کلید
- B پیچ سفت کننده
- C پیچ های بلوک برنده
- D کلید گردان تنظیم عمق رنده کاری
- E نشانگر عمق رنده کاری
- F مبدل جاروبرقی
- G خروجی خرده چوب
- H کلید ایمنی
- J کلید روشن خاموش
- K شیار V شکل
- L شیارهای تهویه

### ایمنی

#### راهنمای ایمنی عمومی

⚠ هشدار! همه دستورات ایمنی و راهنمایی ها را بخوانید. اشتباهات ناشی از عدم رعایت این دستورات ایمنی ممکن است باعث برق گرفتگی، سوختگی و یا سایر جراحات های شدید شود. همه هشدار های ایمنی و راهنمایی ها را برای آینده خوب

نگهداری کنید. هر جا در این راهنما از "ابزار الکتریکی" صحبت میشود. منظور ابزاری الکتریکی (باسیم برق) یا ابزاری الکتریکی باطری دار (بدون سیم برق) می باشد.

### ایمنی محل کار

- (۱) محل کار خود را تمیز، مرتب و مجهز به نور کافی نگهدارید. محیط کار نامرتب و کم نور میتواند باعث سوانح کاری شود.
- (ب) با ابزار الکتریکی در محیط هایی که در آن خطر انفجار وجود داشته و حاوی مایعات، گازها و غبارهای محترقه باشد، کار نکنید. ابزاری الکتریکی جرقه های ایجاد می کنند که می توانند باعث آتش گرفتن گرد و بخار های موجود در هوا شوند.
- (ت) هنگام کار با ابزار الکتریکی، کودکان و سایر افراد را از دستگاه دور نگهدارید. در صورتیکه حواس شما پرت شود، ممکن است کنترل دستگاه از دست شما خارج شود.

### ایمنی الکتریکی

- (۱) دوشاخه ابزار الکتریکی باید با پریز برق تناسب داشته باشد. هیچگونه تغییر در دوشاخه ندهید. مبدل دوشاخه نباید همراه با ابزار الکتریکی دارای اتصال به زمین (ارت شده) استفاده شود. مبدل دوشاخه نباید همراه با ابزار الکتریکی دارای اتصال به زمین (ارت شده) استفاده شود.
- (ب) از تماس بدنی با قطعات دارای سیم اتصال به زمین (ارت شده) مانند لوله، شوفاژ، اجاق برقی و یخچال خود داری کنید. در صورتیکه بدن شما با سیم دارای اتصال به زمین (ارت شده) تماس پیدا کند، خطر برق گرفتگی بیشتر خواهد شد.
- (ت) دستگاه را از باران و رطوبت دور نگهدارید. نفوذ آب به ابزار الکتریکی، خطر شوک الکتریکی را افزایش می دهد.
- (ث) از سیم به درستی استفاده کنید. از سیم دستگاه برای کارهایی چون حمل ابزار الکتریکی، آویزان کردن آن و یا خارج کردن دوشاخه از برق استفاده نکنید. دستگاه را در مقابل حرارت، روغن، لیمه های تیز و بخش های متحرک دستگاه دور نگهدارید. کابل های آسیب دیده و یا گره خورده خطر شوک الکتریکی را افزایش می دهند.

(ج) در صورتیکه با ابزار الکتریکی در محیط باز کار می کنید، تنها از کابل را بطی استفاده کنید که برای محیط باز نیز مناسب باشد. کابل های رابط مناسب برای محیط باز خطر برق گرفتگی را کم می کنند.

(ح) در صورت لزوم کار با ابزار الکتریکی در محیط و اماکن مرطوب. در اینصورت باید از یک کلید حفاظتی جریان خطا و نشستی زمین (کلید قطع کننده اتصال با زمین) استفاده کنید. استفاده از کلید حفاظتی جریان خطا و نشستی زمین خطر برق گرفتگی را کمتر می کند.

### رعایت ایمنی اشخاص

- (۱) حواس خود را خوب جمع کنید، به کار خود دقت کنید و با فکر و هوش کامل با ابزار الکتریکی کار کنید. در صورت خستگی و یا در صورتیکه مواد مخدر، الکل و دارو استفاده کرده اید، با ابزار الکتریکی کار نکنید. یک لحظه بی توجهی هنگام کار با ابزار الکتریکی، میتواند جراحات های شدیدی به همراه داشته باشد.

(ب) همواره از تجهیزات ایمنی شخصی استفاده کنید. همواره از عینک ایمنی استفاده کنید. استفاده از تجهیزات ایمنی مانند ماسک ایمنی، کفش های ایمنی ضد لغزش، کلاه ایمنی و گوشی ایمنی مناسب با نوع کار با ابزار الکتریکی، خطر مجروح شدن را تقلیل می دهد.

(ت) مواظب باشید که ابزار الکتریکی بطور ناخواسته بکار نیفتد. قبل از وارد کردن دوشاخه دستگاه در پریز برق، اتصال آن به باطری، برداشتن آن و یا حمل دستگاه، باید دقت کنید که ابزار الکتریکی خاموش باشد. در صورتیکه هنگام حمل دستگاه انگشت شما روی دکمه قطع و وصل باشد و یا دستگاه را در حالت روشن به برق بزنید، ممکن است سوانح کاری پیش آید.

(ث) قبل از روشن کردن ابزار الکتریکی، باید همه ابزار های تنظیم کننده و آچار ها را از روی دستگاه بردارید. ابزار آچارهایی که روی بخش های چرخنده دستگاه قرار دارند می توانند باعث ایجاد جراحات شوند.

(ج) بیش از حد به آنها نزدیک نشوید. برای کار جای مطمئن برای خود انتخاب کرده و تعادل خود را همواره حفظ کنید. به این ترتیب می توانید ابزار الکتریکی را در وضعیت های غیر منتظره بهتر تحت کنترل داشته باشید.

(ح) لباس مناسب بپوشید. از پوشیدن لباس های فراخ و حمل زینت آلات خود داری کنید. موها، لباس و دستکش ها را از بخش های در حال چرخش دستگاه دور نگهدارید. لباس های فراخ، میو بلند و زینت آلات ممکن است در قسمت های در حال چرخش دستگاه گیر کنند.

- ضبط عمق التسوية (V)
- أدر المقبض D في اتجاه "A/B" لزيادة/تقليل عمق التسوية:
- استخدم المؤشر E كمرجع:
- قم دائمًا بتحديد عمق تسوية قليل وكرر عملية التسوية والضغط حتى تصل للمعق المطلوب:
- مخرج الشرائح (A)
- وصل المكثفة الكهربائية مع الهياكل F بخرق رقائق النشارة G كما هو موضح في الشكل:
- لا تحاول إزالة أي معوقات من مخرج الشرائح أثناء دوران السكاكين: تشغيل الآداة
- اضبط عمق التسوية:
- ضع الآداة على قطعة عمل:
- تأكد من أن الحذاء الأمامي فقط يستند على قطعة العمل وأن السكينين لا يلامساها:
- قم بتشغيل الآداة بالضغط أولاً على المقبض H (I) (= مفتاح الأمان الذي لا يمكن فتحه) ثم بسحب الزناد L (J)
- وقيل أن يصل السكينان لقطعة العمل، يجب أن تدور الآداة بسرعة كاملة:
- أثناء العمل، امسك الآداة دائماً من منطقة (مناطق) المقبض رهادية اللون (A):
- امسك الآداة بإحكام بكلتا يديك ووجهها للأمام في شوط متواصل:
- استخدم الآداة بلوحها الأساسية على قطعة العمل:
- لا تمل الآداة تلافياً حدوث علامات تسوية غير مرغوب فيها:
- قبل إيقاف تشغيل الآداة، يجب أن ترفعها عن قطعة العمل:
- أوقف تشغيل الآداة عن طريق خريز الزناد L:

## توصيات الاستخدام

- لشطب الحواف استخدم جوفيف على شكل V في الحذاء الأمامي (I)
- لضبط المقبض D في الوضع "A" لشطب الحواف على نحو مماثل للتجويف المحدد:
- للحصول على جوافيف أكبر أدر المقبض D لتحديد عمق التسوية المطلوب:
- قم دوها في البداية بإجراء اختبار على قطعة عمل من مواد خردة:
- مزيد من النصائح ز موقعنا [www.com.skil.com](http://www.com.skil.com)

## الصيانة / الخدمة

- لم يتم تصميم هذه الآداة للاستخدام الاحترافي:
- احرص دائماً على نظافة الآداة والسلك (وخصوصاً فتحات التهوية L (J)):
- أفضل القابض قبل التنظيف
- إذا تعذر تشغيل الآداة على الرغم من الحذر الشديد في إجراءات التصنيع والاختبار، فيجب القيام بالإصلاحات بواسطة مركز خدمة ما بعد البيع لأدوات الطاقة التابع لشركة SKIL:
- قم بإرسال الآداة دون تفكيكها بالإضافة إلى إثبات الشراء إلى البائع أو أقرب محطة خدمة SKIL (العناوين بالإضافة إلى مخطط الخدمة متاحان على [www.com.skil.com](http://www.com.skil.com))

## البيئة المحيطة

- لا تتخلص من الأدوات الكهربائية والمحقات والتعليق مع النفايات المنزلية (الدول الإخاد الأوروبي فقط):
- وفقاً للتوجيه الأوروبي 2002/96/EC حول نفايات المعدات الكهربائية والإلكترونية وتطبيقه بالتوافق مع القانون المحلي، يجب جمع الأدوات الكهربائية منتهية الصلاحية بشكل منفصل وإرسالها إلى أحد منشآت إعادة التصنيع المتوافقة مع البيئة:
- سيذكرك الرمز (I) بهذا عند الحاجة إلى التخلص من أية أداة:

- حساسية وأو أمراض في الجهاز التنفسي للمشغل أو المارة: ارتد قناع واقي من الغبار (A) واعمل باستخدام جهاز لتشطف الغبار عند الاتصال:
- بعض أنواع الغبار مصنفة باعتبارها مسرطنة (مثل الغبار للتطهير من خشب البلوط والزنان) خاصة مع المواد الإضافية لتكثيف الخشب: ارتد قناع واقي من الغبار (A) واعمل باستخدام جهاز لتشطف الغبار عند الاتصال
- التزم بالمتطلبات الوطنية الخاصة بالغبار عند العمل باستخدام المواد المطلوبة
- تضمن SKIL التشغيل السليم للأداة فقط عند استخدام الملحقات الأصلية: يحظر نهائياً استخدام الآداة في حالة تلف السلك، بل قم باستبداله من قبل أحد الأفراد المؤهلين
- احرص دائماً على فصل القابض من مصدر الطاقة قبل القيام بأية عمليات ضبط أو تغيير أية ملحقات:

- قبل الاستخدام
- تأكد دائماً من أن الفولت الزود هو نفسه المشار إليه على اللوحة الخاصة بالأداة (يكن كذلك توصيل الأدوات ذات التصنيف ٢٣٠ فولت أو ٢٤٠ فولت بمصدر إمداد ٢٢٠ فولت):
- تجنب التلف الذي قد تسبب فيه البراغي والمسامير والعناصر الأخرى الموجودة في القطعة التي تعمل بها، قم بفكهم قبل بدء العمل:
- قبل استخدام الآداة خقق من عدم حلك السكاكين في أي مكان:
- استخدم أسلاك تمديد مفكوكة تماماً وأمنة سعة ١٦ أمبير (١٣ أمبير في بريطانيا العظمى)
- استخدم القامحطات أو وسيلة عملية أخرى لتثبيت قطعة العمل بمنصة ثابتة ودعمها بالإسكاف بقطعة العمل في يدك أو مقابل جسمك قد يؤدي إلى فقدان التحكم):

## أثناء الاستخدام

- امسك بالأداة الكهربائية بواسطة أسطح إمساك معزولة لأن القاطع قد يلامس سلك الطاقة الخاص به (قطع سلك "متصل بالكهرباء" قد يؤدي إلى "وصول التيار الكهربائي" إلى أجزاء معدنية مكشوفة بالأداة الكهربائية ويعرض المشغل للصدمة الكهربائية):
- حافظ دائماً على بقا السلك بعيداً عن الأجزاء المتحركة بالأداة، ووجه السلك للخلف بعيداً عن الأداة:
- ابق أصابعك بعيدة عن السكاكين الدوارة:
- في حالة حدوث خلل كهربائي أو ميكانيكي، أوقف تشغيل الآداة فوراً وافصل القابض:
- في حالة تعرض السلك للتلف أو لقطع أثناء العمل، لا تلمس السلك وافصل القابض فوراً
- في حالة تعرض أي شريحة للاحتشار في مخرج الشرائح، يجب عليك إيقاف تشغيل الحرك والتأكد من أن جميع الأجزاء المتحركة قد توقفت تماماً وافصل القابض وأخرج الشريحة المحترقة:

## الاستخدام

- تغيير/قلب السكاكين (1)
- إن أداة التسوية هذه مجهزة بسكاكين غير قابلة للسحب بحواف قطع على كلا جانبيها، بحيث إذا فقد أحد الجانبين حدته يمكن استخدام الجانب الآخر:
- أوقف تشغيل الآداة وافصل القابض:
- تناول مفتاح الربط من موضع التخزين A:
- أقلب الآداة:
- فك ٣ مسامير B باستخدام مفتاح الربط (لا نعم بإزالتها):
- ادفع السكين خارج كتلة القاطع باستخدام قطعة خشب:
- أعد السكين مرة أخرى في كتلة القاطع في وضع عكسي أو استخدم سكين جديد:
- التجويف الموجود في السكين يجب أن يلام الحافة الناتئة الموجودة بكتلة القاطع:
- ويجب أن يبرز طرفي السكين بمقدار متساو:
- اربط ٣ مسامير B بإحكام باستخدام مفتاح الربط:
- قم بتغيير/قلب السكين في الوقت المحدد: ولا تستخدم سوى السكاكين الحادة:
- قم دائماً بتغيير/قلب السكينين في نفس الوقت:
- لا تحاول ضبط السكينين مع براغي كتلة القاطع C، التي تم ضبطها مسبقاً أثناء عملية التصنيع:

## مقدمة

- تم تصميم هذه الأداة لتسوية خامات خشبية مثل العوارض والألواح وهي ملائمة أيضاً لمفتاح الحواف
- لم يتم تصميم هذه الأداة للاستخدام الاحترافي:
- اقرأ دليل التعليمات هذا واحتفظ به (٣)

## المواصفات الفنية ①

## مكونات الأداة ②

- A موضع تخزين المفتاح
- B مسمار تأمين
- C براغي كتلة الفاعل
- D مقبض لضبط عمق التسوية
- E مقبض عمق التسوية
- F مهاين المنكسة الكهربائية:
- G مخرج رقائن الشفارة
- H مفتاح الأمان
- J مفتاح التشغيل/إيقاف
- K جوييف على شكل V
- L فتحات التهوية

## أمان

## تعليمات السلامة العامة

**⚠ تحذير!** اقرأ جميع الملاحظات التحذيرية والتعليمات إن ارتكاب الأخطاء عند تطبيق الملاحظات التحذيرية والتعليمات قد يؤدي إلى الصدمات الكهربائية، إلى نشوب الحرائق و/أو الإصابة بجروح خطيرة. احتفظ بجميع الملاحظات التحذيرية والتعليمات للمستقبل. يقصد بمصطلح "العدة الكهربائية" المستخدم في الملاحظات التحذيرية، العدة الكهربائية الموصولة بالشبكة الكهربائية (بواسطة كابل الشبكة الكهربائية)، وأيضاً العدة الكهربائية المزودة بطارية (دون كابل الشبكة الكهربائية).

## 1) الأمان بمكان الشغل

- أ) حافظ على نظافة وحسن إضاءة مكان شغلك. الفوضى في مكان الشغل ومجالات العمل الغير مضاهة قد تؤدي إلى حدوث الحوادث.
- ب) لا تشتغل بالعدة الكهربائية في محيط معرض لخطر الانفجار والذي تتوفر فيه السوائل أو الغازات أو الأبخرة القابلة للاشتعال. العدة الكهربائية تشكل النشور الذي قد يتطاير فيشعل الأبخرة والأبخرة.
- ت) حافظ على بقاء الأطفال وغيرهم من الأشخاص على بعد عندما تستعمل العدة الكهربائية. قد تفقد السيطرة على الجهاز عند التلهي.

## 2) الأمان الكهربائي

- أ) يجب أن يتلامس قابس وصل العدة الكهربائية مع المقبس. لا يجوز تغيير القابس بأي حال من الأحوال. لا تستعمل القوابس الهائبة مع العدة الكهربائية الموضحة تأريض قفائي. تخفض القوابس التي لم يتم تغييرها والقابس الملائمة من خطر الصدمات الكهربائية.
- ب) تجنب ملامسة السطوح الموضحة كالألثاب وراياتورات التدفئة والمدافئ أو البرادات بواسطة جسمك. يزداد خطر الصدمات الكهربائية عندما يكون جسمك موزر.
- ت) أبعد العدة الكهربائية عن الأمطار والرطوبة. يزداد خطر الصدمات الكهربائية إن تسرب الماء إلى داخل العدة الكهربائية.

- ث) يجب عدم إساءة استخدام الكابل. لا ننسى استعمال الكابل لحمل العدة الكهربائية أو لتعليقها أو لسحب القابس من المقبس. حافظ على إبعاد الكابل عن الحرارة والزيت والحواف الحادة أو عن أجزاء الجهاز المتحركة. تزيد الكابلات التالفة أو المتشابكة من خطر الصدمات الكهربائية.
- ج) استخدم فقط كابلات التمديد الصالحة للإستعمال الخارجي أيضاً عندما تشتغل بالعدة الكهربائية في الحلاء. يخفض استعمال كابل تمديد مخصص للإستعمال الخارجي من خطر الصدمات الكهربائية.

ح) إن لم يكن بالإمكان عدم تشغيل العدة الكهربائية في الأجواء الرطبة. فاستخدم مفتاح لوقاية من التيار المتردد. إن استخدام مفتاح لوقاية من التيار المتردد يقلل خطر الصدمات الكهربائية.

## 3) أمان الأشخاص

- أ) كن يقظاً وانتهبه إلى ما تفعله وقيم بالعمل بواسطة العدة الكهربائية بتعقل. لا تستخدم عدة كهربائية عندما تكون متعب أو عندما تكون تحت تأثير المخدرات أو الكحول أو الأدوية. عدم الإنتباه للحظة واحدة عند إستخدام العدة الكهربائية قد يؤدي إلى إصابة خطيرة.
- ب) ارتد عتاد الوقاية الخاصة: ارتد دائماً نظارات واقية. يجب ارتداء عتاد الوقاية الخاص. كفتاح الوقاية من الغبار وأحذية الأمان الواقية من الإزلاق والحوذ واقية الأذنين. حسب نوع وإستعمال العدة الكهربائية، من خطر الإصابة بجروح.
- ت) تجنب التشغيل بشكل غير مقصود. تأكد من كون العدة الكهربائية مطفأة قبل وصلها بإمداد التيار الكهربائي و/أو بالركم، وقبل رفعها أو حملها. إن كنت تضع إصبعك على المفتاح أثناء حمل العدة الكهربائية أو إن وصلت الجهاز بالشبكة الكهربائية عندما يكون قيد التشغيل، فقد يؤدي ذلك إلى حدوث الحوادث.

ث) انزع عدد الضغط أو مفتاح الربط قبل تشغيل العدة الكهربائية. قد تؤدي العدة أو المفتاح المتواجد في جزء دوار من الجهاز إلى الإصابة بجروح.

ج) تجنب أوضاع المسد غير الطبيعية. قف بأمان وحافظ على توازنك دائماً. سيسمح لك ذلك من السيطرة على الجهاز بشكل أفضل في المواقف غير المتوقعة.

ح) ارتد ملابس مناسبة، لا ترتدي الثياب الفضفاضة أو الخلي. حافظ على إبقاء الشعر والثياب والقفازات على بعد عن أجزاء الجهاز المتحركة. قد تتشابك الثياب الفضفاضة والخلي والشعر الطويل بالأجزاء المتحركة.

خ) إن جاز تركيب جهاز شفط وجميع الغبار، فتأكد من أنها موصولة وأنه يتم استخدامها بشكل سليم. قد يقلل إستخدام جهيزات لنشط الأغبرة من المخاطر الناتجة عن الأغبرة.

## 4) حسن معاملة واستخدام العدة الكهربائية

أ) لا تفرط في تحميل الجهاز. إستخدم تنفيذاً أشغالك العدة الكهربائية المخصصة لذلك. إنك تعمل بشكل أفضل وأكثر أماناً بواسطة العدة الكهربائية الملائمة في مجال الأداء المتكور.

ب) لا تستخدم العدة الكهربائية إن كان مفتاح تشغيلها تالف. العدة الكهربائية التي لم تعد تسمح بتشغيلها أو بإطافئها خطيرة ويجب أن يتم تصليحها.

ت) اسحب القابس من المقبس و/أو انزع المركم قبل ضبط الجهاز وقبل إستبدال التوابع أو قبل وضع الجهاز جانباً. منع إجراءات الاحتياط هذه تشغيل العدة الكهربائية بشكل غير مقصود.

ث) احتفظ بالعدد الكهربائية التي لا يتم إستخدامها بعيداً عن متناول الأطفال. لا تسمح باستخدام العدة الكهربائية لمن لا خبرة له بها أو لمن لم يقرأ تلك التعليمات. العدة الكهربائية خطيرة إن تم استخدامها من قبل أشخاص دون خبرة.

ج) اعن بالعدة الكهربائية بشكل جيد. تفحص عما إذا كانت أجزاء الجهاز المتحركة تعمل بشكل سليم وبأنها غير مستعصية عن الحركة أو إن كانت هناك أجزاء مكسورة أو تالفة لدرجة تؤثر فيها على حسن أداء العدة الكهربائية. ينبغي تصليح هذه الأجزاء التالفة قبل إعادة تشغيل الجهاز. الكثير من الحوادث مصدرها العدة الكهربائية التي تم صيانتها بشكل ردي؛ حافظ على إبقاء عدد القطع نظيفة وحادة. إن عدد القطع ذات حواف القطع الحادة التي تم صيانتها بعناية تكليس بشكل أقل ويمكن توجيهها بشكل أيسر.

خ) استخدم التعليمات الكهربائية والتوابع وعدد الشغل والرخ حسب هذه التعليمات. تراسى أثناء ذلك شروط الشغل والعمل المراد تنفيذها. استخدام العدة الكهربائية لغير الأشغال المخصصة لأجلها قد يؤدي إلى حدوث الحالات الخطيرة.

هـ) الخدمة  
أ) سمح بتصليح عدتك الكهربائية فقط من قبل المتخصصين فقط بإستعمال قطع الغيار الأصلية. يؤمن ذلك المحافظة على أمان الجهاز.

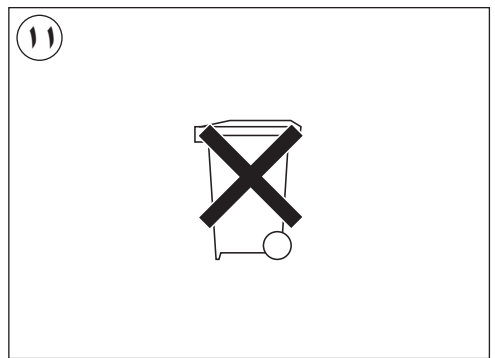
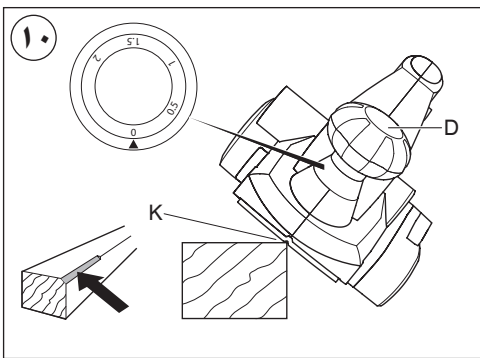
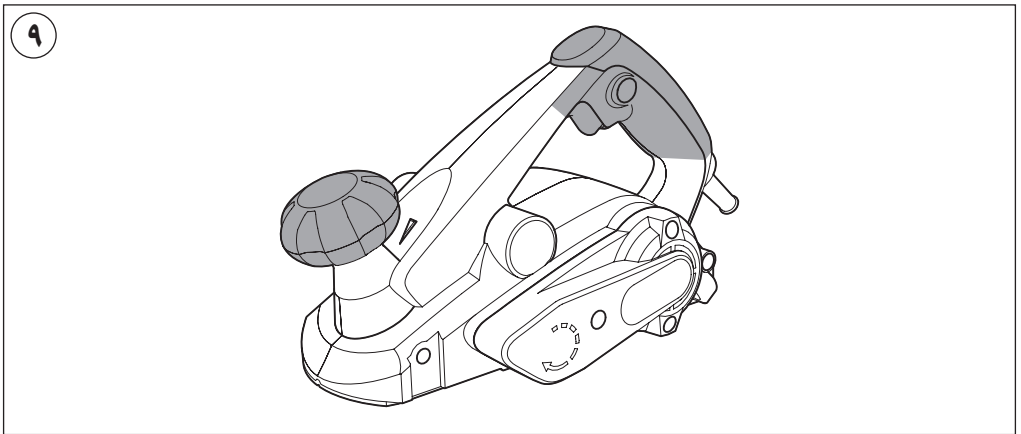
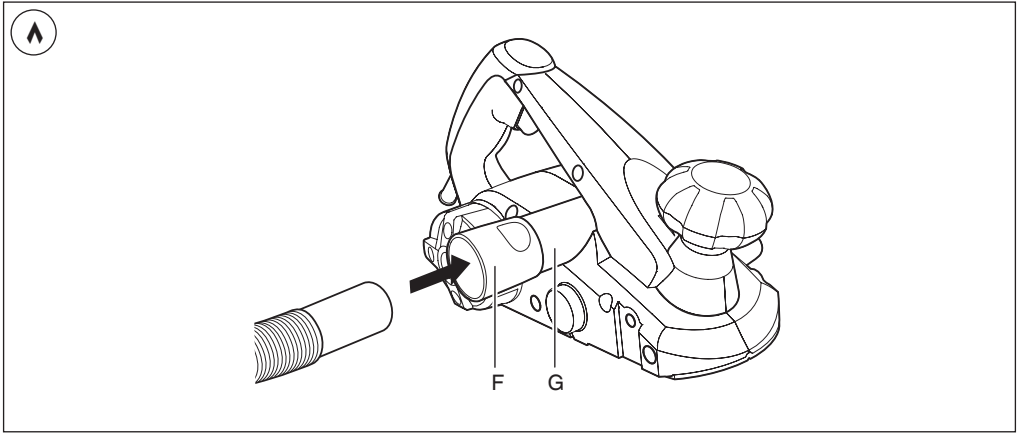
## تعليمات السلامة لأدوات التسوية

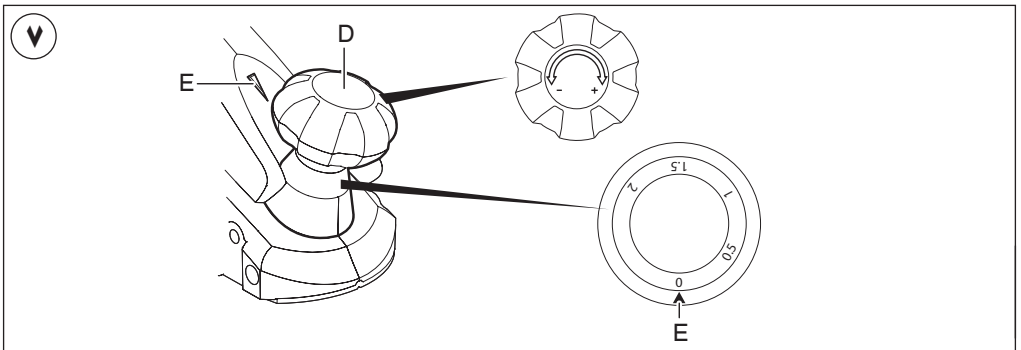
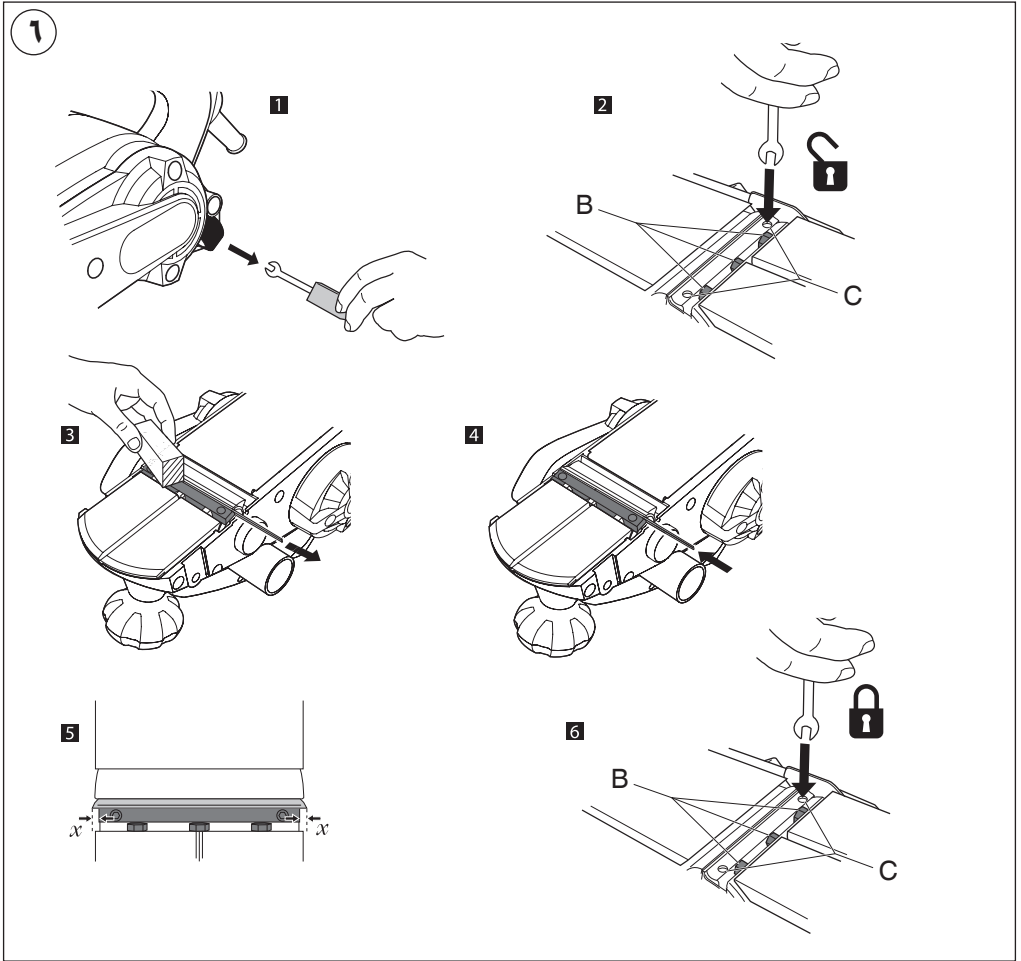
## معلومات عامة

- لا يجب استخدام هذه الأداة من قبل الأشخاص الأقل من 16 عام؛
- قد يتعدى مستوى الضوضاء أثناء العمل ٨٥ ديسيبل (أ)؛ قيم برتاده وأقيات أذن

## ④

- الغبار من مواد مثل الطلاء الذي يحتوي على الرصاص وبعض القطع الخشبية والمعادن قد يكون ضاراً (إن ملامسة الغبار أو استنشاقه قد يتسبب في تفاعلات






1

1558

600  
Watt

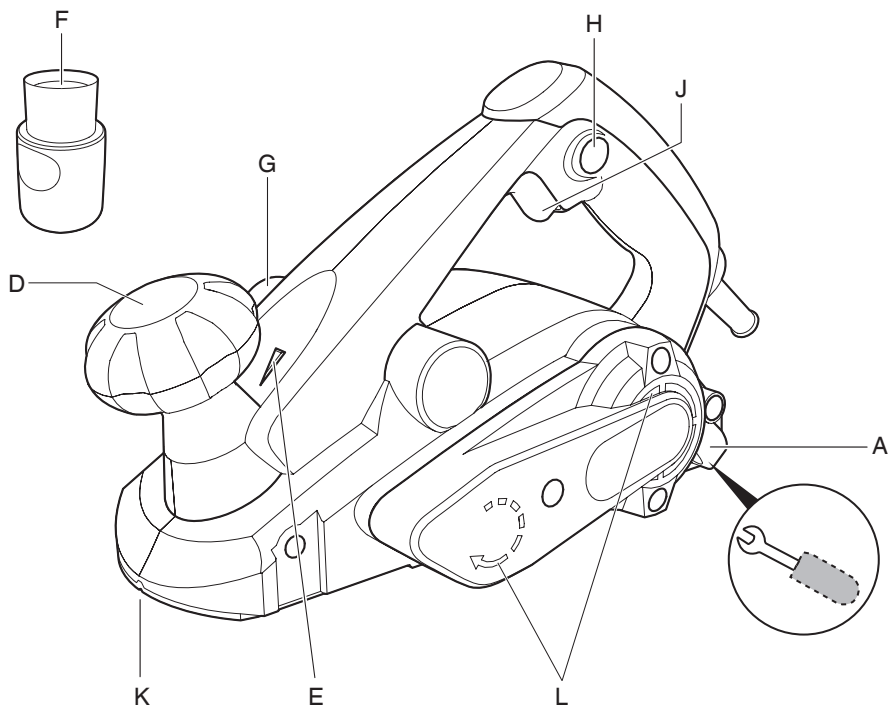
  
2,4 kg  
EPTA 01/2003

  
n<sub>0</sub>  
17000  
/min

  
+ 2 +  
← 82 →

220  
-  
240  
V~  
50-60 Hz

2



3



4

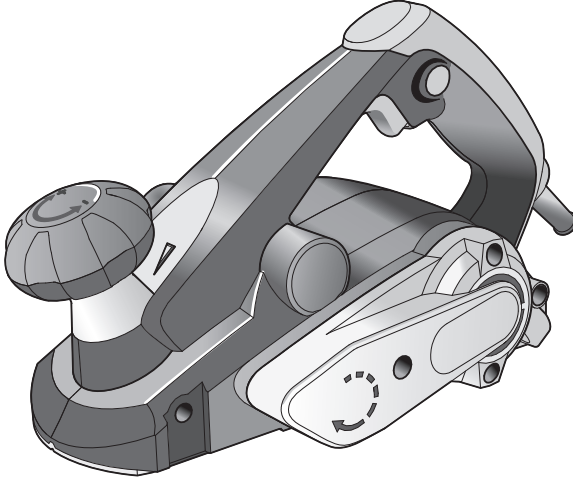


5



أداة تسوية  
1558

**SKIL**



دليل الاستعمال

AR

راهنماي اصلي

FA



2610Z03844

06/13

سكيل أوروبا ب.د. - كونينانبرج 60  
4825 ب.د. بریدا - هولندا



Сертификат о соответствии  
RU C-NL.ME77.B.00475  
Срок действия сертификата о соответствии  
по 18.06.2018  
ООО «Центр по сертификации  
стандартизации и систем качества  
электро-машиностроительной продукции»  
141400, Химки Московской области  
ул. Ленинградская, 29